

**Національний університет біоресурсів і  
природокористування України  
Факультет конструювання та дизайну  
Науково-дослідний інститут техніки і технологій**

**Харківський національний технічний університет  
сільського господарства ім. Петра Василенка**

**Факультет механіки та енергетики  
Львівського національного аграрного університету**

**Інженерно-технічний факультет  
Подільського державного аграрно-технічного університету**

**Національний науковий центр «Інститут механізації та  
електрифікації сільського господарства»**



**ЗБІРНИК ТЕЗ ДОПОВІДЕЙ  
74-Ї ВСЕУКРАЇНСЬКОЇ НАУКОВО-ПРАКТИЧНОЇ  
СТУДЕНТСЬКОЇ КОНФЕРЕНЦІЇ «НАУКОВІ ЗДОБУТКИ  
СТУДЕНТІВ У ДОСЛІДЖЕННЯХ ТЕХНІЧНИХ ТА  
БІОЕНЕРГЕТИЧНИХ СИСТЕМ ПРИРОДОКОРИСТУВАННЯ:  
КОНСТРУЮВАННЯ ТА ДИЗАЙН»**

**(26-27 березня 2020 року)**

Київ-2020

**УДК 631.17+62-52-631.3**

**ББК40.7**

Збірник тез доповідей 74-ї всеукраїнської науково-практичної студентської конференції «Наукові здобутки студентів у дослідженнях технічних та біоенергетичних систем природокористування: конструювання та дизайн» (26–27 березня 2020 року) / Факультет конструювання та дизайну Національного університету біоресурсів і природокористування України. – К., 2020. – 183 с.

Збірник тез рекомендовано до друку рішенням вченої ради факультету конструювання та дизайну Національного університету біоресурсів і природокористування України від 17.03.2020 р., протокол №8.

В збірнику представлені тези доповідей студентів, що працюють над магістерськими роботами і бакалаврськими проектами по кафедрах факультетів конструювання та дизайну і механіко-технологічного НУБіП України та інших провідних закладів вищої освіти, в яких розглядаються завершені етапи розробок з машин і обладнання сільськогосподарського виробництва, промислового і цивільного будівництва, механізації сільського господарства, транспортних технологій і засобів у АПК, будівництва сільських територій, конструювання і надійності машин для сільського, лісового і водного господарств.

Редакційна колегія: Ружи́ло З.В. – голова, к.т.н., доц.; Лове́йкін В.С., д.т.н., проф.; Афтанді́янц Є.Г., д.т.н., проф.; Пилипа́ка С.Ф., д.т.н., проф.; Баку́лін Є.А., к.т.н., доц.; Березовий М.Г., к.т.н., доц.; Булгаков В.М., д.т.н., проф.; Чаусов М.Г., д.т.н., проф.; Лопатько К.Г., д.т.н., доц.; Ярмоленко М.Г., к.т.н., проф.; Несвідомін В.М., д.т.н., проф.; Марус О.А., к.т.н., доц.; Новицький А.В., к.т.н., доц.; Ромасевич Ю.О. – секретар, д.т.н., доц.

© НУБіП України, 2020

**PHYSICAL AND TECHNOLOGICAL BASES OF METAL DEFORMATION**  
(Фізико-технологічні основи деформації металів)

*Йолдич О.О., студентка*  
*Науковий керівник – Афтандіяну Є.Г., д.т.н., проф.*

*Національний університет біоресурсів і природокористування України*

*Forming and the purpose the forming.*

Metal and alloy forming is based on their plastic deformation. Plastic deformation is an ability billets change shape and size under the influence of external forces (tensile and compression) without breaking.

Application of the following treatment method involves obtaining billets and finished shaped products, including parts and also grinding of large-crystal structure of ingots of metals and alloys.

Forming includes: rolling, punching, drawing, calibration, etc. in both cold and hot states (fig. 1).

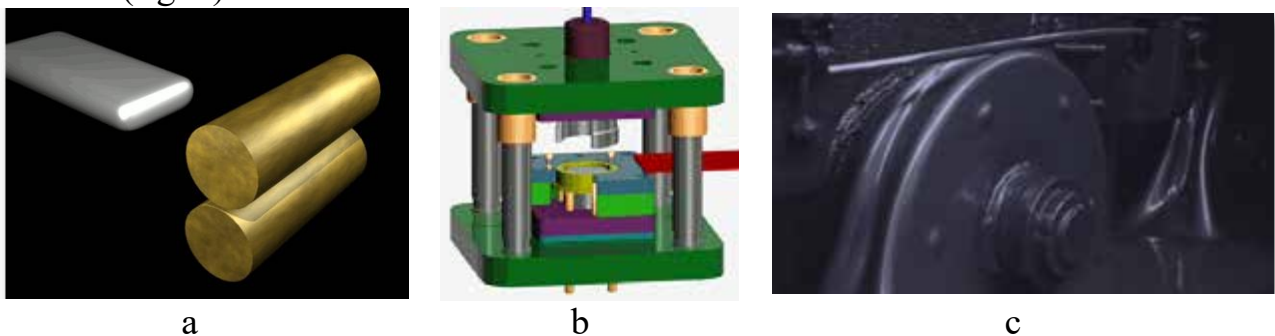


Fig. 1. Forming methods: rolling (a), punching (b), drawing (c)

*Elastic and plastic deformation*

Metals forming is possible because of the metals plasticity. Elastic deformation is reversible that is disappearance after removal of the load. Physical nature of elastic deformation is explained by the insignificant relative displacement of the atoms in a crystal lattice that after removal of the load return to the previous place.

Plastic deformation is the ability of plastic metal to deform under the applied forces without breaking. Plastic deformation is the shift along the lattice plane. Plastic deformation remains after the removal of the external forces. The body gets specific shapes and sizes as a result of the plastic deformation.

The purpose of forming is maximal approaching of billet shapes and sizes to the shapes and sizes of the parts. Rods of round, square and hexagonal profiles, shaped sections, tubes, sheets, wire, forgings, stamped parts and others are received by the treatment of pressure (fig. 2).

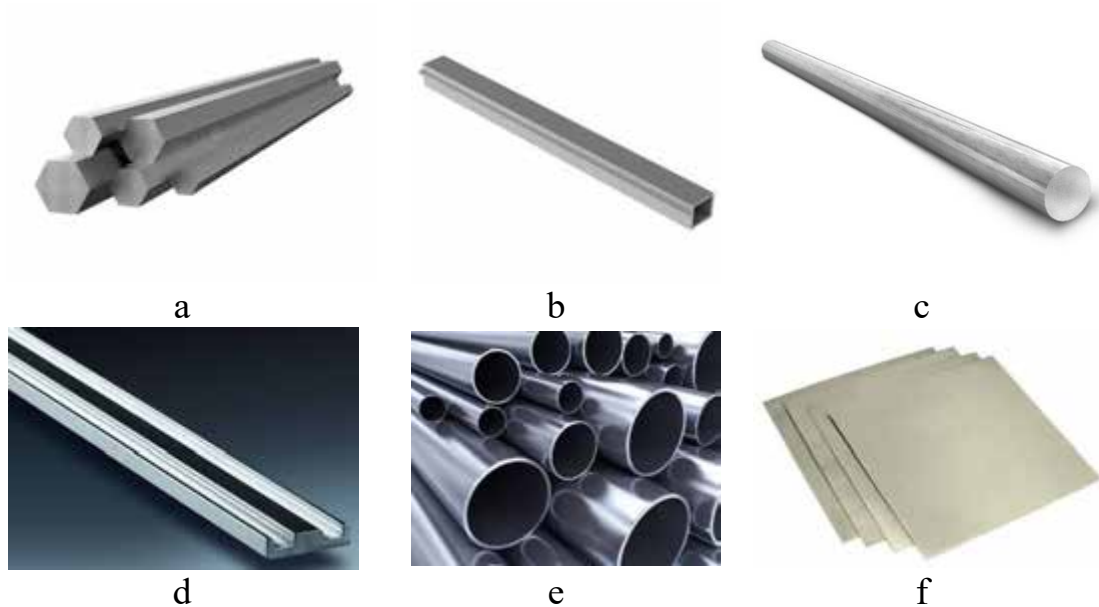


Fig. 2. Pressing parts: hexagonal (a), square (b), round (c) rods and shaped section (d), tubes (e), sheets (f)

*Laws of plastic deformation*

1. Law of constancy of metal volume before and after deformation;
2. Law of similarity.

Ratio of the deformation efforts of geometrically similar bodies is equal to the square and the ratio of spent work-to the cube of the linear dimensions, accordingly;

- 3) Law of the least resistance

Everybody point moves in the direction of the least resistance at the body deformation.

*Changing of the material structures at forming*

Grains and crushed and extracted in the direction of plastic deformation of the metal at increasing of the deformation degree. Fibrous structure is formed by the large material deformations.

УДК 669.14.018.25:620.18:539.374

**ROLLING OF BILLETS**  
(Прокатування заготовок)

*Михайлишин Д.О., студент*  
*Науковий керівник – Афтандіянц Є.Г., д.т.н., проф.*

*Національний університет біоресурсів і природокористування України*

Rolling - the process of plastic deformation of bodies on a rolling mill between rotating drive rolls (part of the rolls may be non-driving). The energy required for the deformation is transmitted through rolls connected to the engine of the rolling mill (fig. 1).

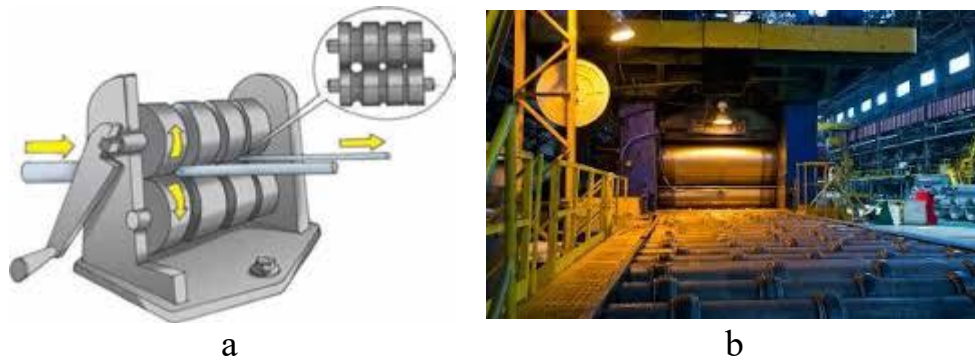


Fig. 1. Schema (a) and plant (b) rolling mill

#### Classification of rolling processes

- ▶ according to the temperature of the process, rolling is divided into
- ▶ cold (metal temperature is within 10-30% of the recrystallization temperature);
- ▶ warm (metal temperature is in the range of 40-60% of the recrystallization temperature);
- ▶ hot (metal temperature above 60–70% of the recrystallization temperature)

*Longitudinal rolling.* The method of longitudinal rolling is the most common. During longitudinal rolling, the strip is brought to rolls rotating in different directions and is drawn into the gap between them due to friction forces on the contact surface. The strip is crimped in height and takes the form of a gap between the rolls. With this rolling method, the strip moves only forward, that is, it performs only translational motion.

*Cross rolling.* During transverse rolling, the workpiece is placed in the gap between two rolls rotating in one direction and receives rotational motion due to friction forces on the contact surface. The deformation of the body occurs when the rolls approach each other. In the longitudinal direction, the workpiece does not move

*Helical rolling.* Cross-helical rolling is intermediate between longitudinal and transverse. The body being machined passing between the rollers rotates and simultaneously performs a translational motion, that is, each point of the body moves along a helical path.

УДК 669.14.018.25:620.18:539.374

## **PRESSING OF METALS**

(Пресування металів)

*Осадчий Є.О., студент*

*Науковий керівник – Афтандіяніц Є.Г., д.т.н., проф.*

*Національний університет біоресурсів і природокористування України*

Metal stamping is a manufacturing process used to convert flat metal sheets into specific shapes. It is a complex process that can include a number of metal forming techniques – blanking, punching, bending and piercing, to name a few.

There are thousands of companies across the U.S. that offer metal stamping services to deliver components for industries in automotive, aerospace, medical, and other markets. As global markets evolve, there is an escalated need for quickly-produced large quantities of complex parts (fig. 1).



Fig. 1. Pressing parts

Metal stamping is a fast and cost-effective solution for this large-quantity manufacturing need. Manufacturers who need metal parts stamped for a project generally look for three important qualities:

- High quality /durability
- Low Cost

Fast turnaround time

*Types of pressing of the metals and their benefits*

There are three major types of metal stamping techniques: progressive, fourslide and deep draw:

- Progressive Die Stamping;
- Fourslide Stamping;
- Deep Draw Stamping.

*Progressive die stamping*

Many traditional power press metal stamping companies can perform one only one action: single stroke, short-run stamping. This process requires one tool for each operation needed to make a finished part — meaning long lead times, high labor costs, and an inability to create intricate or tight-tolerance parts.

Traditionally, fabricating parts that required more than a bend or two was costly and inefficient. A manufacturer could either repeatedly change the tool on a single press or occupy a number of presses, each performing one action required for a completed part. Even using multiple presses, secondary machining services were often required to truly complete a part.

*Benefits of the progressive die stamping*

For very simple parts, progressive die metal stamping may not be the best option. But there are many scenarios in which progressive stamping is ideal. Advantages of progressive stamping include:

- Speed: With a continual feed of material, progressive stamping machines operate at extremely high speeds of hundreds of parts per minute and with minimal downtime. This facilitates most efficient cycle times, shorter lead times, and increased production capacity.

- Low Labor Cost: One operator can oversee many machines that run unattended due to electronic monitoring embedded in our custom tooling.

- Low Part Cost: These factors combine to reduce the per part cost of parts manufactured by progressive stamping.

- Quick Setup: Multiple setups, tool changes, and die changes are required to produce complex parts with conventional short-run stamping methods; only one setup is required to produce completed parts using progressive stamping.

#### *Fourslide pressing and their advantages*

Fourslide, or multi-slide, involves horizontal alignment and four different slides; in other words, four tools are used simultaneously to shape the workpiece. This process allows for intricate cuts and complex bends to develop even the most complex parts.

Fourslide metal stamping can offer several advantages over traditional press stamping that make it an ideal choice for many applications. Some of these advantages include:

- Versatility for more complex parts
- More flexibility for design changes

As its name implies, a fourslide has four slides — meaning that up to four different tools, one per slide, can be used to achieve multiple bends simultaneously. As material feeds into a fourslide, it is bent in quick succession by each shaft that is equipped with a tool.

#### *Deep draw stamping*

Deep drawing involves pulling a sheet metal blank into the die via a punch, forming it into a shape. The method is referred to as “deep drawing” when the depth of the drawn part exceeds its diameter. This type of forming is ideal for creating components that need several series of diameters and is a cost-effective alternative to turning processes, which typically require using up more raw materials. Common applications and products made from deep drawing include (fig. 1):

- Automotive components
- Aircraft parts
- Electronic relays
- Utensils and cookware

#### *Short run stamping*

Short run metal stamping requires minimal upfront tooling expenses and can be an ideal solution for prototypes or small projects. After the blank is created, manufacturers use a combination of custom tooling components and die inserts to bend, punch or drill the part. The custom forming operations and smaller run size can result in a higher per-piece charge, but the absence of tooling costs can make short run more cost-efficient for many projects, especially those requiring fast turnaround.





Fig. 1. Deep draw stamping parts

*Presses are Used to Manufacture a Diverse Array of Products*

A wide array of products of different sizes can be formed using presses, ranging from simple shapes requiring a single process to more sophisticated products requiring multiple processes. The flexibility provided by press forming in terms of product design and size enables the manufacture of a diverse range of products (fig. 2.).



Fig. 2. Diverse array of products

*Japanese Vehicles are the Most Diverse in the World*

The Japanese automotive industry manufactures the most diverse types of vehicles in the world. Recently, there has been a noticeable trend towards promoting differentiation by adding functions to meet the diverse needs of consumers in each of the world markets. And the efficient and flexible manufacturing structure of the just-in-time production system is also a hallmark of the Japanese automotive industry. AIDA's high-performance forming systems are instrumental in enabling the versatile and flexible manufacturing systems that are used in the automotive industry (fig. 3).



Fig. 3. Automotive stamping parts



## POWDER MATERIAL CLASSIFICATION ACCORDING TO THE APPLICATION

(Класифікація порошкових матеріалів за призначенням)

*Бондар Д.В., студент*

*Науковий керівник – Афтандіянц Є.Г., д.т.н., проф.*

*Національний університет біоресурсів і природокористування України*

**Powder metallurgy** is a branch that covers the production of the metal powders ( Fe, Cu, Ni, Co, Cr, W), alloys, compounds, non-metal materials and receiving from these parts or half-finished products.

**Powder metallurgy method** gives the opportunity to obtain materials that can be not obtained by other methods.

Powder materials are distributed into the following groups according to the application:

- ❖ Structural (antifriction, friction, porous and composite materials);
- ❖ Instrumental (hard alloy, cemented carbide, hard metal and cermets materials);
- ❖ Electrotechnical materials;

**STRUCTURAL. Antifrictional** materials are obtained by pressed and sintered iron and bronze powders with 2-5% of graphite. They are used for the production of friction sliding bearings equipment and devices. **Frictional** powder materials are made on the basis of iron and copper with the additives of lead, graphite, asbestos, silica and others. **Porous** materials are used for filtering of liquids and gases. Sintered filters are made of the spherical powders with the diameter of 50-800 microns and pore sizes of 20-320 microns. **Composite** materials are made of non-ferrous metal powders that form the basis and reinforcing components- metal oxides with the sizes of 0.1-5 microns.

**INSTRUMENTAL. Hard alloys** are obtained from the carbide powders WC, TiC, TaC with the addition of cobalt powder. They have high hardness and heat resistance. Also they are used for the production of cutting tools. **Hard metal** inserts are produced by pressing and sintering in a vacuum or hydrogen atmosphere at the temperatures of 1350-1550. **Ceramics**-consist of aluminum oxide activators and filler. The plates are made of ceramic materials by sintering or hot pressing method. **Cermets** is called ceramic that is alloyed by tungsten, molybdenum, boron and titanium.

**ELECTROTECHNICAL. Electrotechnical** powder materials are used for the production of discontinuous contacts with the powders of the refractory metals, metals with high conductivity and sliding contacts of graphite and copper powders or bronze.

## **ELECTRIC ARC WELDING** (Електричне дугове зварювання)

*Киця В.О., студентка*  
*Науковий керівник – Афтандіянц Є.Г., д.т.н., проф.*

*Національний університет біоресурсів і природокористування України*

Electric arc welding are welding by melting at which heating and fusion of edges of connecting parts of products is carried out by an electric arc (fig. 1).

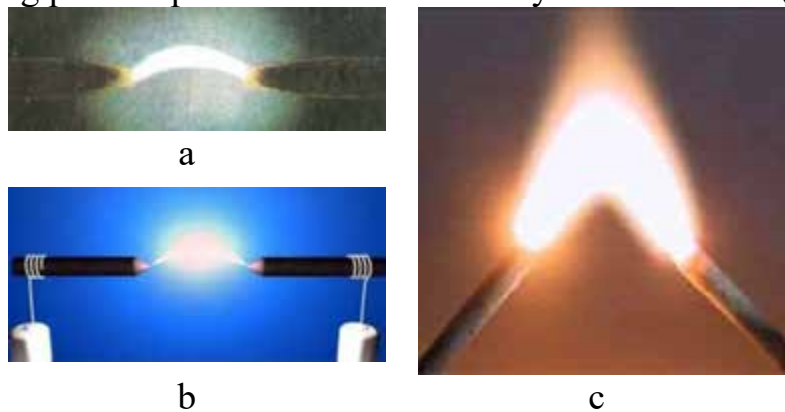


Fig. 1. Electric arc welding

Welding arc - powerful electric discharge in gases that is followed by allocation of a significant amount of heat and light. For a cathode warming up between it and the anode, connected to a current source, carry out short-term short circuit.

### *Properties of an electric arc*

Electric arch (voltage arch, the arc category) - the physical phenomenon, one of types of electric discharge in gas. The electric arch is a separate vipdok of the fourth form of a condition of substance - plasmas - and consists of the ionized, electric quasineutral gas. The electric arch is characterized by tension, current and length of an arch.

Welding part consists of three parts: cathode, anode and column of an arch. Almost all space is occupied by an arch column in which there are processes of ionization and movement of charged particles to the cathode and to the anode.

Temperature of a column of an arch reaches 6000...7000. Tension size for ignition of an arch (idling tension) has to be not lower than 30...35B (at a direct current) and 50...55B (at alternating current). For steady burning of an open arch there is enough tension 18...30B.

### *Electric arc welding*

Electric arc welding it was for the first time offered by our compatriot of M. Benardos in 1882 who used an arch for welding of metals a coal electrode, and in 1888 M.G. Slavyanov offered a way of arc welding by a metal electrode (fig. 2).

### *Electrode coverings*

Metal electrodes have a flux coating (fig. 2). As a coating of the electrode used sifted chalk with liquid glass. The general purpose of the coating or electrode coatings is to ensure the stability of the welding arc combustion and to obtain weld metal with predetermined properties (strength, ductility, toughness, corrosion resistance, etc.).

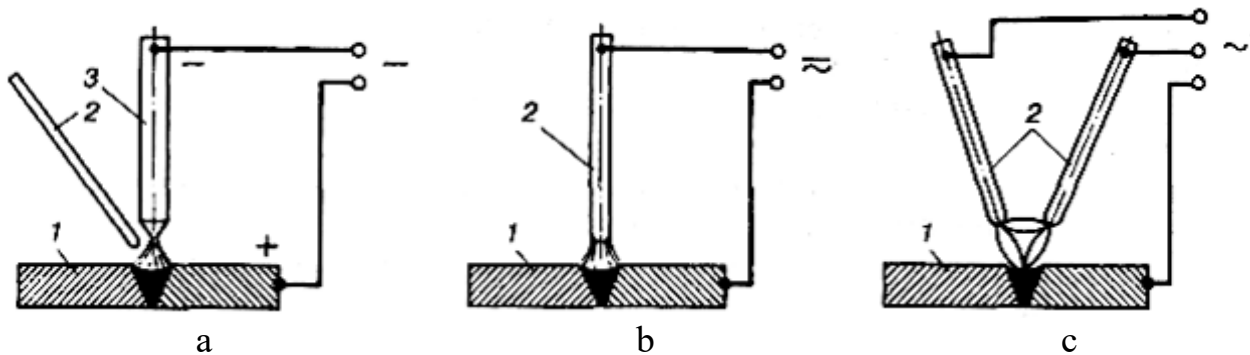


Fig. 2. Schemes of main types of arc welding: a) on the way Benardosa (1 - welding a product, 2 - additive material, 3 - a coal or graphite electrode); b) on Slavyanov's way (1 - welding a product, 2 - a metal electrode that melts); c) a three-phase arc (1 - welding a product, 2 - electrodes are isolated).



Fig. 3. The structure of the welding electrode: 1 - rod, 2 - transition section, 3 - electrode mark, 4 - coating.

УДК 669.14.018.25:620.18:539.374

## CENTRIFUGAL CASTING

(Відцентрове лиття)

*Зав'ялов Д.С., студент*

*Науковий керівник – Афтандіяну Є.Г., д.т.н., проф.*

*Національний університет біоресурсів і природокористування України*

*Centrifugal casting or rotocasting is a casting technique that is typically used to cast thin-walled cylinders. It is typically used to cast materials such as metals, glass, and concrete. A high quality is attainable by control of metallurgy and crystal structure. Unlike most other casting techniques, centrifugal casting is chiefly used to manufacture rotationally symmetric stock materials in standard sizes for further machining, rather than shaped parts tailored to a particular end-use*

*Materials of centrifugal casting*

Typical materials that can be cast are iron, steel, stainless steels, glass, and alloys of aluminum, copper and nickel. Two materials can be combined by introducing a second material during the process.

*Types of centrifugal casting.* Schemes of centrifugal casting equipment's work are shown on fig. 1.

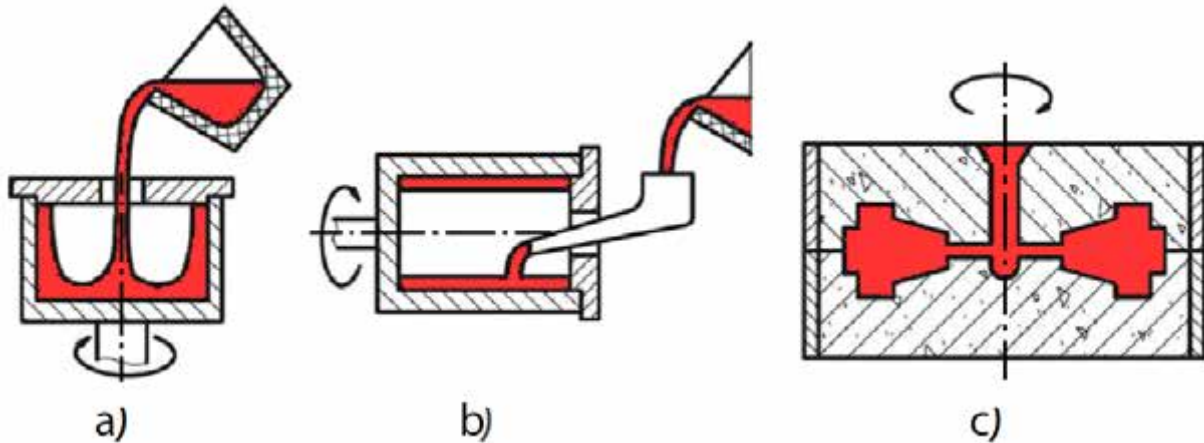


Fig. 1. Schemes of centrifugal casting equipment's work: a) with the vertical axis of rotation; b) with the horizontal axis of rotation; c) for casting by centrifugation method

#### *Features of centrifugal casting*

Castings can be made in almost any length, thickness and diameter.

Different wall thicknesses can be produced from the same mold.

Eliminates the need for cores.

Good mechanical properties due to the grain structure formed by centrifugal action.

Typically cylindrical shapes are produced:

In sizes of up to 6 m (20 ft) diameter and 15 m (49 ft) length.

With a wall thickness range from 2.5 to 125 mm (0.098 to 4.921 in).

In tolerance limits of the outer diameter of 2.5 mm (0.098 in) and inner diameter of 3.8 mm (0.15 in).

In a surface finish from 2.5 to 12.5 mm (0.098 to 0.492 in) rms.

#### *Benefits of centrifugal casting*

Cylinders and shapes with rotational symmetry are most commonly cast by this technique. Long castings are often produced with the long axis parallel to the ground rather than standing up in order to distribute the effect of gravity evenly.

Thin-walled cylinders are difficult to cast by other means. Centrifugal casting is particularly suited as they behave in the manner of shallow flat castings relative to the direction of the centrifugal force.

Centrifugal casting is also used to manufacture disk and cylinder shaped objects such as railway carriage wheels or machine fittings where grain, flow, and balance are important to the durability and utility of the finished product.

Noncircular shapes may also be cast providing the shape is relatively constant in radius.

#### *Process for casting metal*

In centrifugal casting, a permanent mold is rotated continuously at high speeds (300 to 3000 rpm) as the molten metal is poured. The molten metal spreads along the inside mold wall, where it solidifies after cooling. The casting is usually a fine-grained casting with an especially fine-grained outer diameter, due to the rapid cooling at the surface of the mold. Lighter impurities and inclusions move towards the inside diameter and can be machined away following the casting.

Casting machines may be either horizontal or vertical-axis. Horizontal axis machines are preferred for long, thin cylinders, vertical machines for rings and bearings.

Castings usually solidify from the outside in. This direction solidification improves some metallurgical properties. Often the inner and outermost layers are removed and only the intermediary *columnar zone* is used.

УДК 669.14.018.25:620.18:539.374

## THE CLASSIFICATION OF CARBON STEELS

(Класифікація вуглецевих сталей)

*Йолдич О.О., студентка*

*Науковий керівник – Афтандіяну Є.Г., д.т.н., проф.*

*Національний університет біоресурсів і природокористування України*

Carbon steels divided according to the production methods, the carbon content, structure in equilibrium quality, method of shape receipt, application.

In this presentation I specify the sub-theme "The carbon content".

There are three definitive types of carbon steel, all with their own specific uses and features. The type of carbon steel also determines how well it alloys with other components, which is vital when it comes to corrosion prevention. Whenever you're looking to work with carbon steel, it's important that you identify which type you'll need, and if it will need any alloy additions or heat processes to increase its strength (fig. 1).

### Steel

- **Mild steel**
  - Carbon content – 0.25%
  - Sulphur – 0.055%
  - Phosphorous – 0.055%
- **Medium carbon steel**
  - Carbon – 0.25%-0.6%
- **High carbon steel or hard steel**
  - Carbon – 0.6%-1.5%

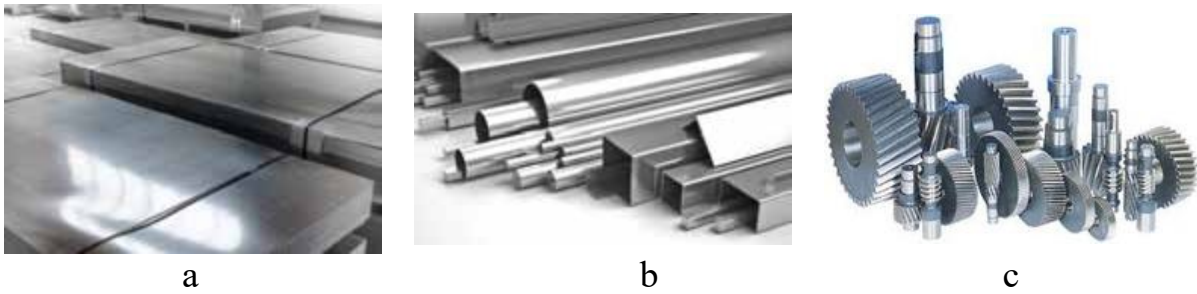


Fig. 1. Classification of carbon steels: a - low-carbon; b - carbon; c - medium.

In order to demystify the various types, we'll define the three carbon steel types below — take a look at their description and use cases.

#### *Low carbon steel*

Also known as “mild steel,” low carbon steel is the cheapest option in terms of value, but it's also easy to bend and shape, which makes it perfect for a multitude of uses (including sheets, screws, and concrete reinforcement bars). It can be frequently found in the kitchen in the form of cookware or eating utensils (stainless steel is low carbon), but this steel type's low carbon content means it's unsuited to being case hardened (but it can stand up to the dishwasher without rust forming).

Although it's not quite the strongest steel in its natural state — just think of how easily you can bend a stainless steel spoon with your hands — other alloys can be added to increase or modify its base properties. This can include adding aluminum for drawing quality, or increasing the manganese content for structural steel. To raise the strength of low carbon steel even more, the surface hardness can be increased through the process of carburizing (*Vid. 1.*), which makes it more resistant to abrasion.

#### *Medium carbon steel*

These steels have higher strength but lower ductility than low carbon steels. These steels are often used in normalised condition for a great variety of components. Medium carbon typically has alloys like chromium, nickel, and molybdenum added in order to increase its stress resistance. In major industries, these steels are used in hardened and tempered state such as for making camshafts, connecting rods, gears, spindles, friction discs, piston rods, cross pieces, plungers. These steels form base of components of machines and are often called ‘machinery steels’.

#### *High carbon steel*

Also known as “carbon tool steel,” the strongest carbon steel you can buy is also, as expected, the most inflexible. High carbon steel has more carbon than the other two types (between 0.60% and 1.4%), yet it too can accept alloys in order to change its properties. Chromium and manganese alloys can be added to high carbon steel while it's being formed to help the material avoid corrosion. It's also an ideal type of steel to subject to heat treatments in order to increase its hardness.

One thing to keep in mind, though, is that heat treatments can make high carbon steel very hard but also brittle, which means that other measures need to be taken to prevent cracking.

#### *Conclusion:*

When you're determining what kind of carbon steel to work with, it's important that you familiarize yourself with the different properties of each of the



three types: low, medium, and high. Depending on what the material is being used for, you're going to want to choose the type that best suits your needs, or that can best be treated with additional alloys or heat in order to make it perfect.

УДК 669.14.018.25:620.18:539.374

## **BUILDING STEELS** (Конструкційні будівельні сталі)

*Михайлишин Д.О., студент*  
*Науковий керівник – Афтандіяню Є.Г., д.т.н., проф.*

*Національний університет біоресурсів і природокористування України*

Structural steel - steel that is used for the manufacture of various parts, mechanisms and structures in engineering and construction and has certain mechanical, physical and chemical properties. Structural steels are divided into several subgroups (fig. 1).



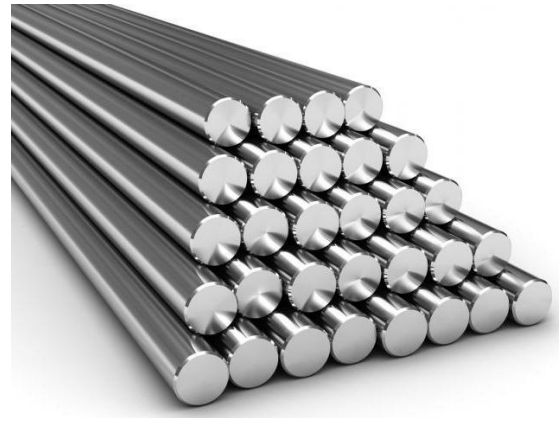
Fig. 1. Structural steels

The materials demanded by the construction industry include metal products. The use of durable steel allows you to build high-rise buildings, dimensional bridge spans, bearing lattice structures of metal trusses, which are used for the construction of facilities for various purposes. Building steels are an integral element in the body of reinforced concrete foundations, ceilings and other structural elements. Products focused on the construction industry are mainly represented by the two most common types of steel products: profile (fig. 2); fittings.





c



d

Fig. 2. profile steel products

### *Steel classification*

The steel classification system, which has found application in the construction industry, involves the distribution of material according to several parameters. The first one is mechanical strength. Separation by this indicator defines three types of steel: material with ordinary, strength increased, high.

The second sign by which steel is grouped is the chemical composition.

Low carbon differ in ductility, good weldability. We have found wide application in the construction industry.

Low alloy constructional steels (fig. 3).



Fig. 3. Construction of low alloy constructional steels

This group has a high yield strength, therefore, structures made of this material have lower weight values. This metal option has increased corrosion resistance and excellent weldability. In building low-alloy grades, the content of alloying elements does not exceed 2.5%. These structures can only be used in hydraulic structures.

From 2.5% to 10% of special additive elements that increase the physicochemical properties of the material.

### *Steel marking*

For marking the material adopted alphanumeric notation. Building brands are marked with the letter C, the numbers indicate a minimum yield strength of the alloy. The presence of other symbols provides additional information, for example, the

presence of the letter K indicates increased corrosion resistance, and T indicates that the material is thermally hardened (S390K, S355T). The presence of the letter D indicates an increased copper content. Grades of building steel S390K, S355T are designed for structures with welded and other joints.

Today in construction often use structural low-carbon steel grades 10, 15, 20. These figures indicate the average carbon content in the alloy, calculated in hundredths of a percent.

#### *Steel grade selection*

All types of metal building structures are divided into nine groups according to current norms and rules (SNiP II-B.3-72). Each group is formed based on operating conditions, mounting and type of connection of elements. Therefore, the metal alloy grades are chosen, focusing on the following important factors:

- minimum temperature regime of operation of the structure;
- dynamic and vibration loads.

УДК 621.432.3

## **ПОШКОДЖЕННЯ ГІЛЬЗ ЦИЛІНДРІВ ПРИ ЕКСПЛУАТАЦІЇ (КАВІТАЦІЯ) І МОНТАЖІ (НАДЛОМ БУРТУ)**

*Ігнатенко М.О., студент*

*Наукові керівники – Хмельовська С.З., асист., Сиволапов В.А., ст.викл.*

*Національний університет біоресурсів і природокористування України*

### **Раковини на зовнішній стінці гільз циліндрів (кавітація).**

**СИМПТОМИ.** На зовнішніх ділянках гільз циліндрів мокрого типу в області водяної сорочки є поглиблення або отвори (кавітація, рис. 1.). Однак здебільшого вони видимі тільки з боку найбільшого бічного навантаження, та / або з протилежного боку у верхній або нижній мертвій точці поршня.

**ПРИЧИНИ.** Кавітаційні пошкодження виникають внаслідок коливань гільзи циліндра. Такі коливання можуть з'являтися на стінці циліндра при зміні робочих циклів поршня у верхній і нижній мертвих точках та передаватися на зовнішню водяну сорочку. При відповідному русі стінки циліндра під час фази коливання виникає короткочасний вакуум, що веде до утворення у воді бульбашок пари. Зворотне коливання водяного фронту викликає схлопування бульбашок пари, причому вода, що повертається розбивається об гільзу циліндра і викликає ерозію металу. Наступні моменти сприяють розвитку кавітації:

■ В охолоджуючій рідині знаходиться недостатньо антифризу, що скорочує утворення бульбашок.

■ Система охолодження, наприклад, кришка радіатора негерметична. Внаслідок цього в системі охолодження не створюється необхідний тиск, що також призводить до посиленого утворення бульбашок.

■ Гільза циліндра має в картері занадто великий люфт. Тим самим не здійснюється достатнього гасіння коливань, причиною яких є зміна робочих циклів поршня.

■ В системі використовується невідповідна охолоджуюча рідина (наприклад, з вмістом кислоти і т.п.).

■ Двигун має занадто низький температурний рівень. Внаслідок цього занадто низьким є і рівень тиску охолоджуючої рідини, що сприяє утворенню бульбашок. При цьому і поршень не досягає своєї робочої температури, має збільшений зазор і надмірно жорстку зміну робочих циклів. Занадто низький температурний рівень може мати наступні причини:

- Термостат або термовиключатель несправний.

- Вязкісна муфта вентилятора несправна, тобто вентилятор працює постійно.



Рис. 1. Гільза циліндра з кавітаційними uszkodженнями. Зйомка крупним планом гільзи циліндра з гострими краями і отворами, що розширюються всередину.

#### УСУНЕННЯ ДЕФЕКТУ, ПРОФІЛАКТИКА

■ Необхідно обов'язково перевірити систему охолодження (кришку радіатора, шланги, хомути) на герметичність.

■ Слід залити достатню кількість антифризу з антикорозійними властивостями.

■ Потрібно перевірити правильність роботи компонентів системи охолодження (термостат, вентилятор, термовиключатель).

#### **Злам бурту гільзи циліндра.**

#### СИМПТОМИ

■ Гільза циліндра має надломи під бурти. Кут надлому становить близько 30 градусів (рис. 1).

■ Помітна груба структура надлому.

ПРИЧИНИ. Ініціатором такого статичного надлому виступає вигинаючий момент на опорній поверхні бурту. Такий вигинаючий момент може мати наступні причини:

Між гільзою циліндра і опорою бурту знаходяться сторонні предмети (наприклад, бруд, залишки прокладок, стружка і т.п.) (рис. 2. а).

Місце контакту опори бурту не має фаски (рис. 2. б).

Опора бурту має перекіс (рис. 2. в).

Використовувана прокладка головки циліндра занадто велика (рис. 2. г).

Ділянка вогнезахисної кромки на голівці циліндра не очищений або піддавався доведенню (рис. 2. а). (рис. 2. д).

Внаслідок занадто великого зазору гільза циліндра сидить занадто вільно, що тягне за собою сильні ударні імпульси.



Рис. 2. Надлом бурту гільзи циліндра. Злам з грубою структурою і кутом приблизно 30 градусів

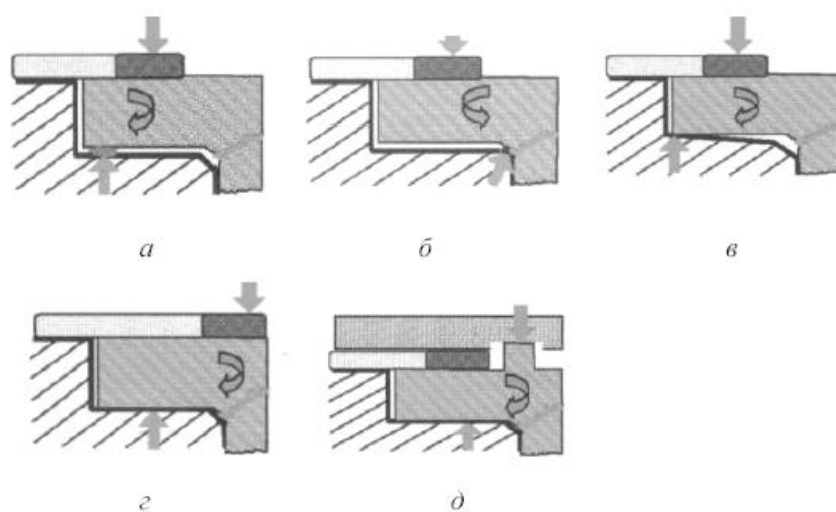


Рис. 3. Схема виникнення вигинаючого моменту, що призводить до надлому бурту гільзи циліндра



## УСУНЕННЯ ДЕФЕКТУ, ПРОФІЛАКТИКА.

■ Необхідно стежити за чистотою обробки ділянки бурту в блоці циліндрів.

■ Слід контролювати штатне місце гільзи циліндра на предмет необхідної площинності і ортогональності.

■ Після обробки бурту потрібно створювати фаску.

■ Дозволяється використовувати тільки ті прокладки, які передбачені для даного типу двигуна.

### Список літературних джерел:

1. Воловик Е.Л. Справочник по восстановлению деталей. – М.: "Колос", 1981. – 351 С.
2. Сідашенко О.І. Ремонт машин та обладнання: Підручник / [Сідашенко О.І. та ін.]; За ред. проф. О.І. Сідашенка, О.А. Науменка. – К.: Агроосвіта, 2014. – 665 С.

УДК 624.014(075.8)

## ВИГОТОВЛЕННЯ ТА РЕМОНТ КОНСТРУКЦІЙ ПІД ВОДОЮ ЗА ДОПОМОГОЮ ЗВАРЮВАННЯ

*Хуторянська Ю.П., магістр першого року навчання  
Науковий керівник – ст. викл. Бакуліна В.М.*

*Національний університет біоресурсів і природокористування України*

Підводне зварювання знайшло широке застосування як при виготовленні трубопроводів для газонафтопереробної галузі так і в ремонтному виробництві завдяки своїй оперативності та простоті виконання.

Спосіб зварювання під водою заснований на відкритті, що дуга, не дивлячись на інтенсивне охолодження навколишньою водою, нагріває і плавить метал практично настільки ж легко, як і на повітрі.

Для отримання стійкого горіння дуги під водою, на електрод з низьковуглецевого зварювального дроту наноситься більш товстий шар покриття з просоченням спеціальними лаками.

Підводна зварювання може виконуватися двома способами: сухим та мокрим.

*Сухий спосіб* являє собою зварювання в штучної створеної повітряному середовищі, тобто коли електрод і зварюються деталі повністю знаходяться в середовищі повітря або іншого газу. Для цього застосовують спеціальні камери, бокси, які можуть бути настільки великі, що і зварювальник, перебуваючи всередині, проводить роботи по технології практично нічим не відрізняються від зварювання на повітрі.

При використанні *мокрого способу* деталь, електрод, а часто і зварювальник, і все інше обладнання знаходиться у воді, що, безсумнівно,



ускладнює проведення робіт. Для зварювання під водою від зварника потрібна висока кваліфікація, до того ж ще необхідні навички водолаза.

У результаті зварювання обома способами шов виходить різної якості. При використанні мокрого способу якість нижче. Але, на відміну від сухого, цей спосіб вимагає менших витрат на обладнання і займає менше часу.

Підводне зварювання застосовують при будівництві гідротехнічних споруд, мостів, ремонті кораблів і підводних частин портових і нафтопромислових металевих конструкцій.

УДК 69059(075.8)

## RENOVATION OF KIEV

*Tokariiev H.S., student*

*Scientific supervisor – Bakulin Ye.A., Ph.D., Assoc. Prof.*

*National University of Life and Environmental Sciences of Ukraine*

Renovation is the process of restoring the structure and appearance of damaged historic urban buildings, facades and interiors of morally and financially obsolete buildings. All over Kiev, dilapidated pre-revolutionary houses, architectural monuments and ordinary historical buildings are slowly being destroyed. Some of them have long gone into private hands, but the new owners, with some exceptions, do not care about their fate. Of course, it is possible to demolish most of the old houses - and permanently lose their cultural heritage, replacing it with temporarily advantageous high-rise buildings. This problem can be solved by appealing for renovation, while preserving housing or cultural sites. But the most important goal of renovation is to bring back to life the "dead" industrial territories, such dead zones on the map of any city of Ukraine. A striking example of a successful renovation is the Platform Art Factory.



Fig.1 Platform Art Factory



Fig. 2 A building that needs renovation

Ordinary development is no less important than architectural monuments. The city, consisting of houses of different historical eras, will be comfortable for its inhabitants and attractive for tourists. Thanks to indifferent people with professional education and a thirst to improve the standard of living of every citizen of Kiev, they have made a map of the buildings and buildings that need renovation. According to officials alone, there are about 25 abandoned buildings in the Shevchenko district of

the city. Volunteers have counted about two hundred of them, in addition, some homes have long been demolished - but still live on official paper.

It is safe to say that the process of renovation in Kiev has fallen from a dead spot, however, in the near future a significant problem for Ukrainian cities may be a poor quality home renovation. The fact is that according to the decision of the Cabinet of Ministers, we have not been taught by restoration specialists for several years. And it is a serious challenge not only to preserve the historic construction of Kyiv, but also to carefully restore it. Berlin is a great example for us. Many are already tired of being constantly compared to Kiev, but these cities are really similar. Berliners are skeptical of commercial projects involving the demolition of old buildings. As a rule, such projects simply do not pass public hearings - which, incidentally, we do not have, and if they do, their decisions are optional. Instead, local communities are very active in restoring historic architecture. They negotiate with the city, attract patrons, and carefully, down to the smallest details, monitor all restoration work.



Fig. 3. Map of buildings in need of renovation

More than one renovation project has been developed in Kyiv, namely:

1. The building of the former design institute "Kievproject" is located in the center of Kiev for a long time and has not been used for its intended purpose and needs rethinking and reconstruction. About 10 variants of projects were considered, one of them was even granted planning permission. As a result, a concept has been developed that preserves the modernist appearance of the building, the restoration of the adjacent architectural monument, the construction of underground parking for more than 500 cars, the creation of a public space linking Vladimirskaya Street with Pushkinskaya Street, and Bohdan Khmelnytsky with Proreзна.

The functional filling of the building after reconstruction should be the subject of discussions and discussions with the involvement of all interested parties: residents and users of the surrounding territories, tenants of offices in the Kyivproject building, design institutions and architects.

2. Renovation of the territory of the Kiev River Port along the Naberezhno-Lugova Street from the Rybalsky Bridge to the ship repair plant. The purpose of the project is to give back to people an area that has been excluded from urban fabric for many years and to create an area for life, work, business, recreation and entertainment. Instead of the abandoned warehouses, 7 modern European quarters with housing, offices, coworkings, cafes and restaurants, schools and kindergartens, a cultural center, a public space along the promenade and a public beach will be built here. premises, offices and shopping and entertainment infrastructure. The height of the buildings will not exceed 8 floors. Residential sections will have cozy patios, closed to cars and outsiders. The office space will be located in sections along the busy thoroughfares and will have side entrances. On the first floors there will be shops and cafes, and on the side of the waterfront - cafes with summer grounds near the water. The project provides for pedestrian connections between neighborhoods, bike lanes, walking and leisure areas. Along the Dnieper River, a public space with a waterfront will be created - comfortable, accessible, open to all interested and zoned for various types of leisure. Cargo cranes that have been a business card for a long time will be left in the territory as art objects.

3. Another renovation project for an abandoned industrial zone, but already in Obolon district, near the Pochainna metro station and the future park of the same name. The project provides the opportunity to live, work or shop and have fun in one place and is aimed at modern young professionals from different industries. It is a house with modern technological architecture, interactive media facade, innovative technologies, complete infrastructure for living, working and relaxing. Infrastructure facilities will make up almost half of the complex. Offices, conference rooms, and creative studios are available for use in the area, as well as cafes, restaurants, shops, picnic areas, a leisure area along the Pochain River, a park and public spaces. Underground parking is designed for the cars, sports fields, bicycle paths, skate park for sports. Pet grooming areas, playgrounds and a kindergarten will be available on site.



Fig. 4. Renovation project in Kiev

#### References:

1. [электронний ресурс].- режим доступу: <http://ukrainianurbanawards.com>
2. [электронний ресурс].- режим доступу: <https://hmarochos.kiev.ua/2019/08/06/proekt-mapa-renovatsiyi-yak-kyyani-zberigatymut-istorychni-budynky-z-dopomogoyu-biznesu/>

## КОНСТРУКТИВНЕ РІШЕННЯ ВОДОВІДВЕДЕННЯ В БУДІВЛЯХ І СПОРУДАХ

*Пилипенко М.П., студент  
Науковий керівник – Бакулін Є.А., доц., к.т.н.*

*Національний університет біоресурсів і природокористування України*

Жоден дах не може вважатися завершеним без вирішення питання водовідведення. Водовідвід – один з найважливіших функціональний елемент, від якого залежить довговічність та надійність як покрівлі так і будівлі. Саме він запобігає скупченню і застою атмосферних опадів.

При виборі та облаштуванні системи враховується конфігурація та кут нахилу даху, тип покриття, структура покрівельного «пирога», протяжність схилів, температурний режим в приміщенні, кліматичні особливості, щорічна кількість опадів та інші індивідуальні нюанси.

Залежно від типу конструкції, існує два види покрівельних водовідводів: зовнішній та внутрішній.

**Зовнішній.** Для його облаштування використовуються труби по зовнішньому периметру, а також жолоби та інші елементи. Класична конструкція складається з підвісних і горизонтальних жолобів, вертикальних труб, тримачів і перехідників, з'єднувачів, кінцевих відводів. Конфігурація ретельно розраховується, щоб забезпечити природний відтік води. Для цього потрібно правильно визначити кути та кількість труб. Зовнішні водовідводи підходять для дахів з ухилом більше  $19^{\circ}$ , вода на яких не встигає замерзнути, висота поверхів не більше ніж 5.

**Внутрішній.** Універсальна система для будь-яких кліматичних регіонів. Використовують для дахів з великою площею та висотою більше ніж 5 поверхів. Конструктивно складається з приймаючої воронки, стояка та відвідної труби з зовнішнім випуском. Вода стікає з даху навіть під час морозів, після чого відводиться в каналізацію або зовнішню мережу.

Зовнішнє водовідведення також буває організованим або неорганізованим. У першому випадку вода відводиться по звісам карнизу, у другому – через жолоби до зовнішніх труб. Внутрішній – більш поширений і універсальний, але також він дорожчий та складніший при монтажі.

При правильно обладнаному водостоку вода з даху відводиться назовні, що зберігає не тільки покриття, але і захищає фасад та фундамент будівлі. Крім того, гармонійно вписана в архітектуру система – ще й як самостійний декоративний елемент, з яким будинок здається затишним і обжитим.

Основні матеріали для виготовлення елементів водовідведення – пластик, сталь і алюміній. Спеціальні покриття забезпечують стійкість до корозії, температури, пошкоджень чи розтріскування.

**Переваги сталевих водостічних систем:**

- Висока міцність елементів, що дуже важливо для систем, що працюють під навантаженням снігу і криги.
- Простота і легкість монтажу (відсутність при монтажі додаткових ущільнювачів, клеїв, мастик, силікону і тому подібне), точність з'єднання всіх елементів.
- Широкий спектр колірних рішень.
- Довговічність використання систем забезпечується високою корозійною стійкістю полімерного покриття і стійкістю покриття до дій середовища.

Вартість системи водостоків, як правило, визначається складністю покрівлі, висотними відмітками і, звичайно ж, площею. При цьому для більшості типів покрівель цей показник лежить в межах 10-30% вартості покрівлі.

**Водостічні системи з ПВХ** стійкі до несприятливих природних впливів, корозії, хімічних дій (кислот і вуглеводнів) і ультрафіолетових променів. З'єднання окремих елементів може здійснюватися клейовим способом, а також за допомогою гумових ущільнювачів. Ніколи не можна поєднувати клейову систему із з'єднаннями на гумових ущільнювачах. Елементи водостічної системи з ПВХ зберігають свою пластичність при температурі до  $-40^{\circ}\text{C}$ .

Пластмасові конструкції, як і багато інших матеріалів, мають властивість змінювати лінійні розміри при температурних перепадах. Для того, щоб нівелювати негативні наслідки цього явища, застосовуються розширювальні елементи. Вони встановлюються відповідно до рекомендацій фірм - виробників.

Воронка з'єднує жолоби і труби для відведення води з водозбірної системи в водозливну. Ефективність водовідведення в чому залежить від конструкції жолобів.

#### **Головні кроки монтування системи відведення дощової води:**

1. Заливка покрівлі даху бітумом або мастиками здійснюється при дії високої температури, у результаті на всій покрівлі виходить однорідне покриття з високою водонепроникністю.

2. Монтаж головних деталей водовідвідної системи виконується перед затокою з особливих технічних отворів у даху. На цьому кроці встановлюється система водовідводів і приймальна воронка трубопроводу, далі проводиться її герметизація з застосуванням ущільнювачів з гуми.

3. Після здійснення заливки монтується лише захисний ковпак, який не допускає забруднення споруди різними чужорідними предметами і сміттям.

Розрахунок потужності водовідвідної системи робиться відповідно до габаритів даху і розрахунковою кількістю опадів, що випадають. Як правило, відведена вода з покрівлі перенаправляється в зливову каналізаційну систему або розподіляється по всій ділянці поряд з будинком.

Правильно змонтована водовідвідна система може в найкоротший час прибрати всю воду, що прибула. Якщо споруду своєчасно чистити і обслуговувати, вона прослужить весь проектний термін.

## ТЕХНОЛОГІЯ ВИГОТОВЛЕННЯ ГРУНТОЦЕМЕНТНИХ ПАЛІ

*Петренко Р.М., студент  
Науковий керівник – Бакуліна В.М., ст. викл.*

*Національний університет біоресурсів і природокористування України*

Особливості технології ґрунтоцементних палей полягає в зміцненні ґрунту - це необхідна частина будівельних робіт при зведенні практично будь-якого масивної споруди. Основа, сама по собі не часто має відповідні характеристики і без цієї процедури у більшості випадків, обійтися не представляється можливим, тому що від цього буде залежати стійкість і надійність майбутнього об'єкту. Одним з найефективніших способів зміцнення ґрунту є ґрунтоцементні палі.

Цей спосіб стабілізації ґрунту існує кілька різновидів і кожен з них має певні переваги і недоліки, які будуть доречні в тій чи іншій ситуації. Ґрунтобетонні палі також мають ряд переваг, які в окремих випадках можуть мати визначальне значення і виявитися найбільш оптимальним рішенням.

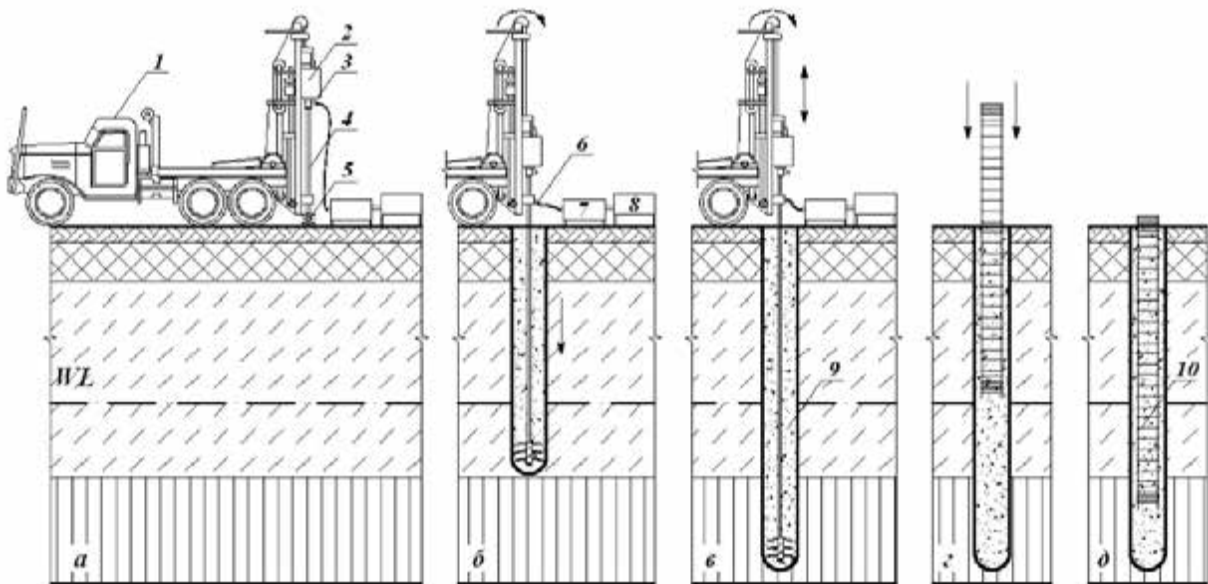


Рис. 1. Схема виготовлення ґрунтоцементних палей за бурозмішувальним методом: а – бурове обладнання; б- розпушування ґрунту з нагнітанням водоцементного розчину; в – перемішування суміші; г – встановлення арматурного каркасу; д – загальний вигляд ґрунтоцементної палі; 1 – автомобіль із буровим станком; 2 – силовий привід; 3 – вертлюг; 4 – бурова труба; 5 – ріжучий інструмент; 6 – напірний рукав для подачі водоцементного розчину; 7 – буровий насос; 8 – розчинозмішувач; 9 – ґрунтоцементний елемент; 10 – ґрунтоцементна паля



Технологія ґрунтоцементних палей прийшла до нас з-за кордону - цементация ґрунту з успіхом використовувалася на території Японії, Англії та Італії. Особливо часто струменева цементация застосовується при зведенні підземних споруд, для зміцнення структури природного масиву - використання грантових палей стало оптимальним рішенням для стабілізації рухливих ґрунтів.

Основу даної технології становить використання кінетичної енергії рідини для руйнування, подрібнення і перемішування ґрунту з розчином цементу. Формування палей відбувається на місці під час буріння «лидерной» свердловини. Після затвердіння, на місці свердловини утворюється колона з ґрунтобетону, що має високі характеристиками міцності та стійкості до деформацій.

ґрунтові палей формуються в два етапи, за допомогою первинного та зворотного буріння «лидерной» свердловини. Під час первинного етапу свердловина доводиться до необхідної глибини допомогою бурового розчину, який подається через прямий клапан і може складатися як з води, так і з цементного складу - рідина руйнує ґрунт і видаляє шлам, який утворюється при бурінні.

Під час зворотного ходу, прямий клапан в буровому наконечнику перекидається, після чого в бічні сопла монітора під тиском подається бетонний розчин, який служить основним матеріалом для створення бетонної колони. Поступово піднімаючись, бурова колона обертається навколо своєї осі, тим самим здійснюючи рівномірне формування палей.

ґрунтоцементні палей - це один з найефективніших способів зміцнення ґрунту. Незважаючи на те, що здійснити установку палей своїми руками не представляється можливим, тому що вимагає обов'язкової присутності фахівців - дана технологія з успіхом використовується для зміцнення ґрунтів практично всіх видів і складності, що робить її незамінною в окремих випадках.

УДК 624.15(075.8)

## **ОСОБЛИВОСТІ ПРОЕКТУВАННЯ ФУНДАМЕНТІВ СИЛОСНИХ БАШТ КОМПЛЕКСІВ ЗЕРНОСХОВИЩ**

*Лавринович М.В., студент  
Науковий керівник – Бакулін Є.А., доц., к.т.н.*

*Національний університет біоресурсів і природокористування України*

Україна, як аграрна держава має великі об'єми обігу зернових культур, зокрема в 2019 році загалом було зібрано рекордну кількість зернових культур, що склало 70,8 млн тон. Такі об'єми зернових культур вимагають забезпечення великої кількості споруд та комплексів з приймання, обробки та зберігання зерна. На сьогоднішній день такими комплексами є елеватори. Функціональним призначенням даних промислових комплексів є створення та забезпечення

стабільної роботи технологічних ліній з обробки, транспортування та зберігання зерна, попередження псування продукту, кондиціонування тепла та інших явищ, які супроводжують процес зберігання зернових культур. Таким чином вищезазначені фактори впливають на розвиток даної галузі промисловості в Україні.

Особливостями нормативного регулювання гілки промисловості є проектування та будівництво зернових комплексів здійснюється згідно чинного законодавства.

Конструктивні особливості проектування тісно залежать від технологічних рішень, що регулюються наступними нормами:

1. ДБН В.2.2-8-98. Підприємства, будівлі і споруди по зберіганню та переробці зерна;

2. ВНТП-05-88. Нормы технологического проектирования хлебоприемных предприятий и элеваторов.

У зв'язку з необхідністю забезпечення технологічних процесів фундаменти силосних башт розробляються за технічним завданням інженера-технолога. Через високі вимоги до стійкості фундаменти передбачають в більшості пальові з монолітним ростверком та технологічними каналами. По осі силосу нижче рівня плити знаходиться підземна галерея, де розташовується обладнання для вивантаження зерна з силосів. Згідно норм проектування рекомендується блокування технологічного обладнання. Таким чином силосні башти розташовують блоками на відстані пожежних проїздів, які визначені нормами протипожежних заходів для промислових споруд.

Через велику різницю в навантаженні та усадки в межах допустимих величин між силосами та в місцях перпендикулярного стику галерей розташовуємо деформаційні шви розміром 30 мм, що заповнюються пінополістеролом та гідроізоляцією.



Рис.1. Схема плану фундаментів

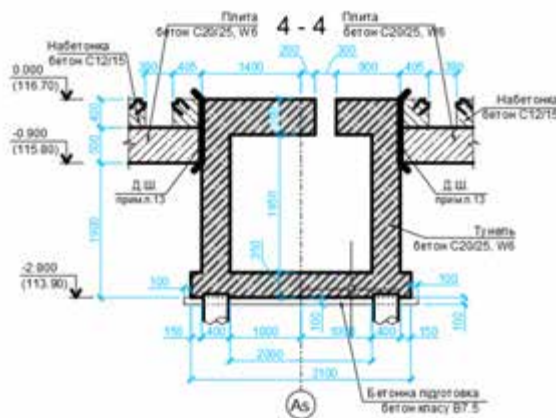


Рис.2.Розріз фундаменту

Між плитою силосу та тунелем підземної галереї також розташовуються деформаційні шви які виконуються шляхом прокладання двох шарів руберойду.

По боках від силосу розташовують фундаментні тумби, на які монтують вентилятори для забезпечення повітрообміну під силосом що несе функцію просушування зерна. В ростверку плити проектується вентиляційні канали, які

позначаються на опалубочних кресленнях основного комплексу розділу КБ проекту. Також згідно запроєктованої технології по осі силосної башти та підземної галереї проектується отвори для вивантаження зерна

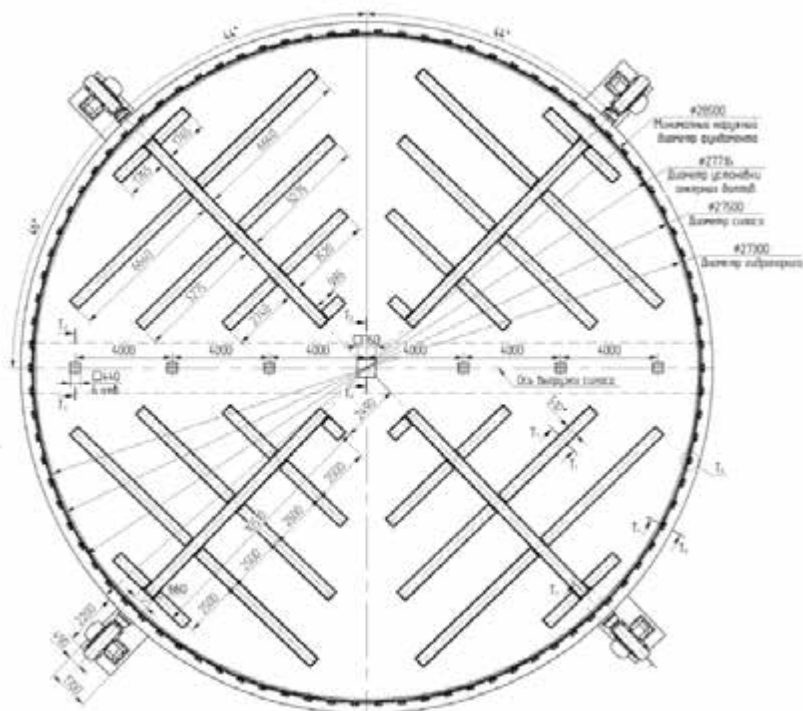


Рис. 3. План відвантаження зерна

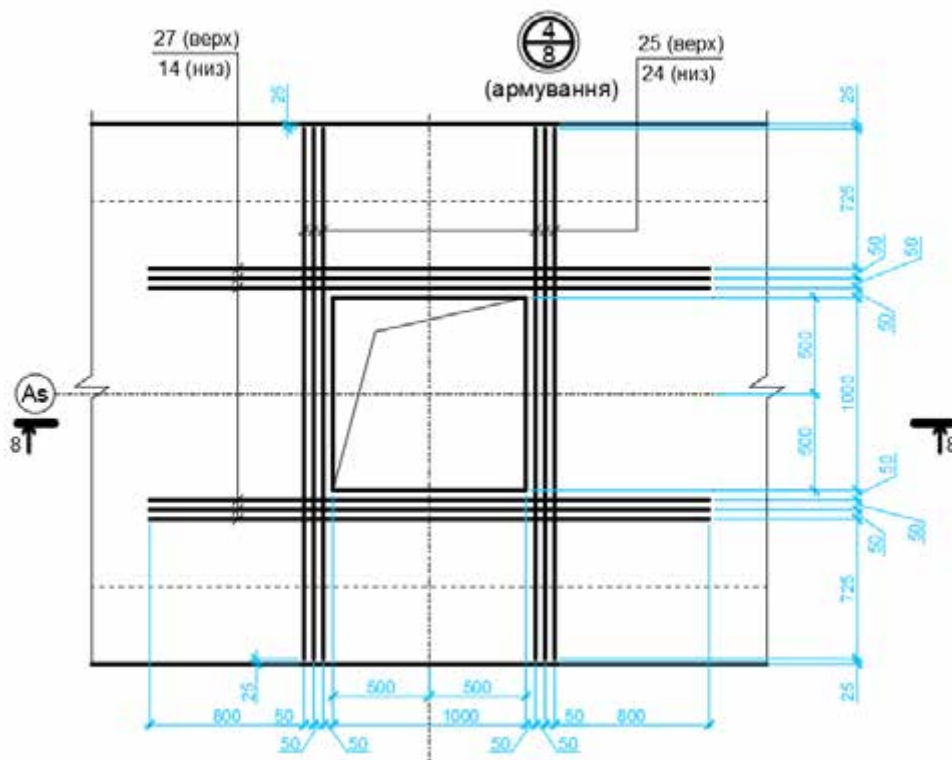


Рис. 4. План армування фундаменту

Бетон приймають не нижче класу С 25 -30 з армуванням відповідно до розрахунків.

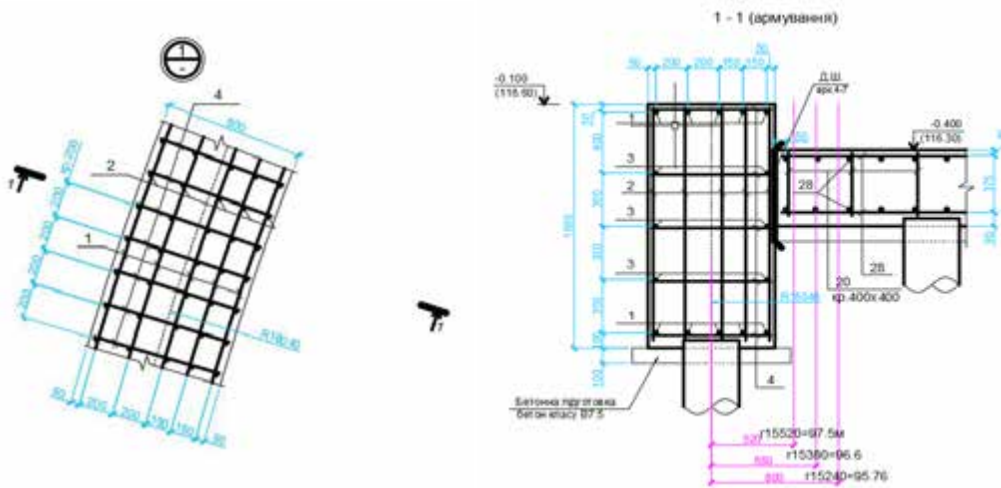


Рис. 5. Приклад схеми вузлів армування ростверку плити фундаменту силосу

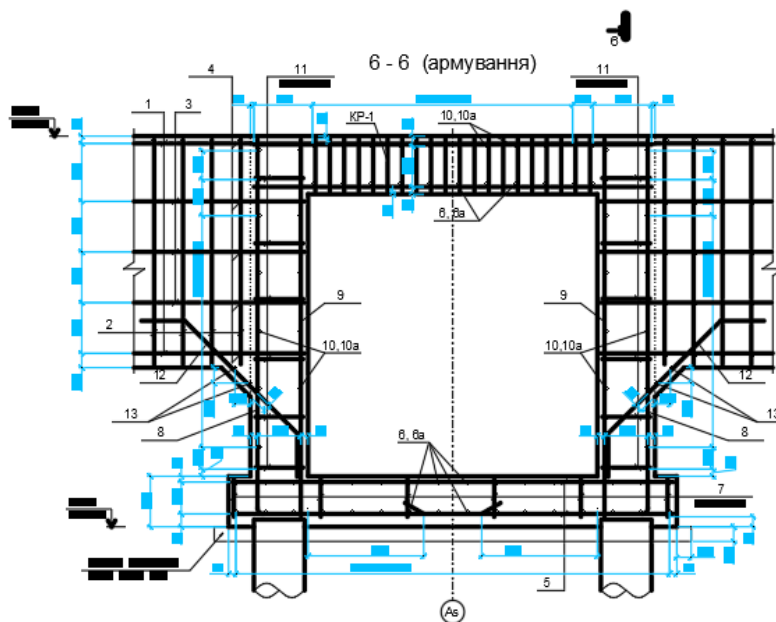


Рис. 6. Схема армування галереї з ростверком

УДК 351.07

## ВПЛИВ НА НАВКОЛИШНЄ СЕРЕДОВИЩЕ ЗАХОРОНЕННЯ РАДІОАКТИВНИХ ВІДХОДІВ

*Юша Л.О., магістр першого року навчання  
Науковий керівник – Бакуліна В.М., ст. викл.*

*Національний університет біоресурсів і природокористування України*

В зв'язку з аварією на атомній станції в місті Чорнобиль в 1986 р. і великою кількістю радіоактивних відходів, що з'явилися після цього, виникла проблема переробки і ізоляції цих відходів від навколишнього середовища.

До того часу в Україні не було побудовано, такої споруди, яка б відповідала даним потребам.

Виникла необхідність розробки комплексу виробництв по захороненню радіоактивних відходів з території забруднення в наслідок аварії на ЧАЕС в м. Чорнобиль.

Комплекс по переробці та захороненню радіоактивних відходів зводиться на тривалий час та повинен весь час відповідати нормам безпеки. Тому основною задачею, яка стоїть в час проектних робіт - це удосконалення технологій виробництва робіт за рахунок використання легко змонтованих пересувних будівель для поховання, зведення до мінімуму ручної праці, використання новітніх будівельних матеріалів, які найбільш ефективно відповідають всім вимогам.

Основною метою створення комплексу по захороненню радіоактивних відходів, є покращення екологічного стану в зоні "Відчуження" і зниження негативного впливу на прилеглі території. З метою обмеження опромінення персоналу і радіоактивного забруднення навколишнього природного середовища при похованні РАВ, потрібно розробити комплекс організаційних, адміністративних, технічних і санітарно-гігієнічних заходів.

Позитивним аспектом роботи над створенням комплексу по захороненню РАВ є те що розроблені конструктивні елементи можуть бути застосовані при подальшому розвитку цієї галузі будівництва.

Технологічна схема процесу захоронення радіоактивних відходів низького та середнього рівня активності передбачає наступні операції:

- проведення радіометричного контролю відходів від постачальника і оформлення супроводжувальних документів;
- транспортування ТРВ;
- вхідний контроль, зважування і облік ТРВ на КПП;
- підготовка контейнерів до захоронення;
- захоронення контейнерів з ТРВ і великих радіоактивних відходів в сховищах;
- виконання радіаційного контролю і моніторингу навколишнього середовища.

Визначальними критеріями при виборі типу сховищ є:

- ступінь радіаційної небезпеки відходів;
- низький рівень ґрунтових вод;
- наявність щільних непросадочних ґрунтів;
- проста гідрогеологічна структура;
- віддаленість ділянки від населених пунктів та інших об'єктів господарського значення, транспортних магістралей;
- розвинута мережа комунікацій;
- можливість використання територій, виключених з колективного, громадського і індивідуального використання;
- можливість використання місцевих будівельних матеріалів.

Сховища являють собою могильники курганного типу. Головними біологічними бар'єрами сховищ є:

- контейнери, будівельні конструкції сховищ;
- гідроізоляційний екран;
- сорбційний шар.

#### Сховище ТРВ-1

Конструктивно сховище являє собою гідроізольований майданчик, споруджений поверх сорбційного екрану, по бокам якого передбачені водовідвідні канавки. Поверхня залізобетонної плити покривається асфальтом і має нахил, що забезпечує стік атмосферних опадів. Контейнери, підготовані до захоронення, постачаються до сховища спецтранспортом і далі при допомозі мостового крана вантажопідйомністю 20/5 т встановлюються на залізобетонну плиту. Після заповнення сховища або частини здійснюється формування верхнього гідроізоляційного екрану.

#### Сховище ТРВ-2

Призначено для захоронення великогабаритних РАВ навалом або в первинній упаковці, перевозяться в транспортних контейнерах, в тому числі – дуже пилові - в металевих контейнерах .

Конструктивно сховище являє собою модуль, складається із залізобетонних стін, встановлених на залізобетонній основі і перекритих після їх заповнення залізобетонними перекриттями. Відходи, що поступають на захоронення в оборотних саморозвантажуючих контейнерах, за допомогою мостового крана вантажопідйомністю 20/5 т вкладаються до місця захоронення. Біля 10% відходів захоронюють в неповоротних металевих контейнерах. Після заповнення сховища відходами здійснюється формування верхнього гідроізоляційного екрану.

Пусковий комплекс передбачає спорудження сховищ двох типів: ТРВ-1, ТРВ-2, що забезпечить здійснення технологічного процесу, передбаченого проектом на найближчий період. В наступному будівництві сховищ продовжується в відповідності з виробничою програмою роботи підприємства.

Радіаційний контроль необхідний в системі радіаційного контролю. Система складається із підсистем:

- підсистема радіаційного технологічного контролю, підсистема радіаційного дозиметричного контролю;
- підсистема індивідуального дозиметричного контролю;
- підсистема контролю навколишнього середовища.

Визначення контрольованих параметрів передбачається здійснювати методами прямого вимірювання, накоплення радіаційного діяння і відбору проб з використанням стаціонарних і носимих приборів, з проведенням радіохімічних і спектрометричних аналізів в лабораторії.

Для контролю за дозою зовнішнього гама-випромінювання використовуються індивідуальні дозиметри типу ДПГ, термомінесцентні, які служать для вимірювання інтегральної дози опромінення. При виконанні радіаційно-небезпечних робіт по дозиметричним наряд-допускам персонал забезпечується також оперативними іонізаційними дозиметрами типу КІД. Їх використання дозволяє робити оперативну оцінку дози опромінення і запобігти перевищенню дозволених доз навантажень. Інтегральні дозиметри видаються



всім особам, працюючим в зоні відчуження, і обмінюються через певний строк (не рідше як через 30 днів). Дозиметр типу КІД видається на термін не більше одної зміни.

УДК 72.03

## **ІНЖЕНЕРНІ РІШЕННЯ РОЗУМНОГО БУДИНКУ**

*Грицай Д.А., студент*  
*Науковий керівник – Бакуліна В.М., ст. викл.*

*Національний університет біоресурсів і природокористування України*

Ідеї більш розвинені до понять сучасних систем автоматизації будинку були продемонстровані на ярмарках у Чикаго (1934) та Нью-Йорку. У «великому яблуці» трохи пізніше (1964-65), представили плани електрофікованих та автоматизованих приміщень. У решті-решт перший серйозний аналог розумного дому з'явився у 1966 році. Це була експериментальна система домашньої автоматизації — «домашній комп'ютер Ехо IV». Його винахідник — Джим Сазерленд, інженер компанії Westinghouse Electric. Його технологія була приватним, некомерційним проектом. Перші «дротові будинки» були зведені американськими винахідниками-любителями у 1960-х, але вони були суттєво обмежені можливостями тогочасних технологій.

Уперше термін «розумний будинок» був вигаданий Американською Асоціацією Housebuilders у 1984 році. Із винаходом мікроконтролерів, вартість на електроприлади швидко падала. Ця ж установа зазначила, що таке помешкання відмінне від звичайного своєю здатністю забезпечувати продуктивне та ефективне використання робочого та житлового середовища.

За цим, віддалені інтелектуальні технології керування були прийняті будівельною промисловістю, яка поступово почала вводити їх не лише у бізнес установах, але і у домашніх помешканнях. Під час активної домашньої автоматизації 90-х років інформатика та телевізійні системи були поєднані для підтримки інтелектуальних можливостей приміщень. У 1995 році винахідники технологій Java оголосили одним із основних призначень даної технології — «збільшення інтелекту побутових приладів».

Розумний дім (*розумний будинок/ smart home, digital house*) — будинок, дача або приміщення комерційного призначення (бутік, офіс, будь-яка установа), які мають якісні системи забезпечення та операційний multi-room. За допомогою останнього, функціонально пов'язуються між собою усі електроприлади будівлі, якими можна керувати централізовано — з пульта-дисплею. Прилади можуть бути під'єднані до комп'ютерної мережі, що дозволяє керувати ними за допомогою ПК та надає віддалений доступ до них через Інтернет. Завдяки інтеграції інформаційних технологій у домашні умови,

усі системи та прилади узгоджують виконання функцій між собою, порівнюючи задані програми та зовнішні показники (обстановки).



Рис. 1. Мультимедійний дисплей для керування розумним будинком

Для визначення високо-технологічних особливостей приміщення також вживають терміни: *intelligent building*, *smart-house*, *digital home*.

Розумний дім створюється за допомогою професійного проектування та програмування компаніями, що займаються розробкою проектів *smart-home*. Програми, що вводяться до алгоритмів *multi-room* розумного дому, розраховані на певні потреби мешканців та ситуації, пов'язані із зміною середовища або безпекою. Особливістю *smart-home* є керування з пульта, на котрому людина може натиснути одну-єдину клавішу з метою створення певної обстановки. При цьому, сама система мульти-рум аналізує навколишню ситуацію та параметри усередині приміщення, та, керуючись власними висновками, виконує задані користувачем команди із відповідними налаштуваннями. Окрім того, електронні побутові прилади, встановлені у розумному будинку, можуть бути об'єднані у домашню *Universal Plug'n'Play* — мережу із виходом в Інтернет.

Основні функції розумного дому:

- ✓ надійна та проста у користуванні система охорони та відео-нагляду;
- ✓ автоматична централізована корекція освітлення у залежності від години доби та пересування людей по приміщенню (особливо важлива для тих, хто виховує дітей або доглядає за родичами похилого віку);
- ✓ побутові турботи, які, зазвичай, лягають на плечі людини, у розумному будинку узгоджуються з усіма його системами та виконуються найлегшим і найефективнішим способом за допомогою сучасного обладнання. Це може бути полив саду або його накриття від сонця (грози) згідно із вимірами погодних умов; відчинення дверцят о певній годині для вигулу домашніх тварин, щоб уранці вони могли вийти на двір без залучення часу хазяїв і тд.;
- ✓ контроль за протіканням води/газу;
- ✓ орієнтир на енергозбереження. Інтелектуальний дім — це не енерговитратна система (автоматика на  $500\text{м}^2$  становить приблизно 60 W);

- ✓ домашня автоматика будинку дозволяє покращити умови життя та спростити побутові задачі для користування інвалідів та людей похилого віку;
- ✓ можливість керування інтелектом будинку та побутовими приладами через інтерфейс за допомогою телефонної лінії, мобільного зв'язку або Інтернет. Тобто, Ви можете робити якісь домашні справи через смартфон або веб-браузер, ще не діставшись самого будинку;
- ✓ усі функції виконуються із одного пульта-дисплея;
- ✓ Розважальні мультимедійні можливості smart-home:
- ✓ повноцінний домашній кінотеатр;
- ✓ облаштування приміщень для ігор будь-якого виду;
- ✓ розумні технології можна ефективно інтерпретувати в інтер'єр будинку, офісу, закладу і т. д.
- ✓ облаштування та функціонування приміщення згідно із вихованням дитини: її розвиток, безпека та розваги.

Сучасні мобільні пристрої, забезпечені акселерометрами, мікрофонами, камерами, всілякими датчиками, які можуть забезпечити потік даних, що однозначно і чітко описує все, що відбувається в навколишньому середовищі. І залишається тільки розробити досить складні і потужні універсальні програмні алгоритми, які здатні інтерпретувати цей потік даних, зробити висновки, прийняти відповідні рішення і виконати необхідні дії.



Рис. 2. Приклад сучасної будівлі з системою “розумний дім”

УДК 692

## **TAPE FOUNDATIONS AS THEY ARE**

*Zaverukha R.B., assistant*

*National University of Life and Environmental Sciences of Ukraine*

Tape foundations for structural type are of two types:

Monolithic foundations - reinforced concrete strip with reinforced belt;

Prefabricated foundations - precast ribbons made of reinforced concrete blocks or red bricks.

Both types of strip foundation are stripes that run around the perimeter of the building, as well as under the load-bearing and interior walls. Such foundations are used for buildings made of different materials, such as a building of aerated concrete, cinder block and brick. In addition, its use is justified for homes that have a basement.

The ribbon foundation gained popularity due to the following advantages:

The ability to withstand heavy loads. The tape foundation for the house is used for light buildings and for buildings with heavy overlapping. The use of supports allows you to distribute the load evenly across the whole.

The possibility of building a basement or basement.

Simple erection technology, despite the complexity of the work. Ability to use available materials such as: concrete, reinforcement, brick, stone, etc.

Low cost.

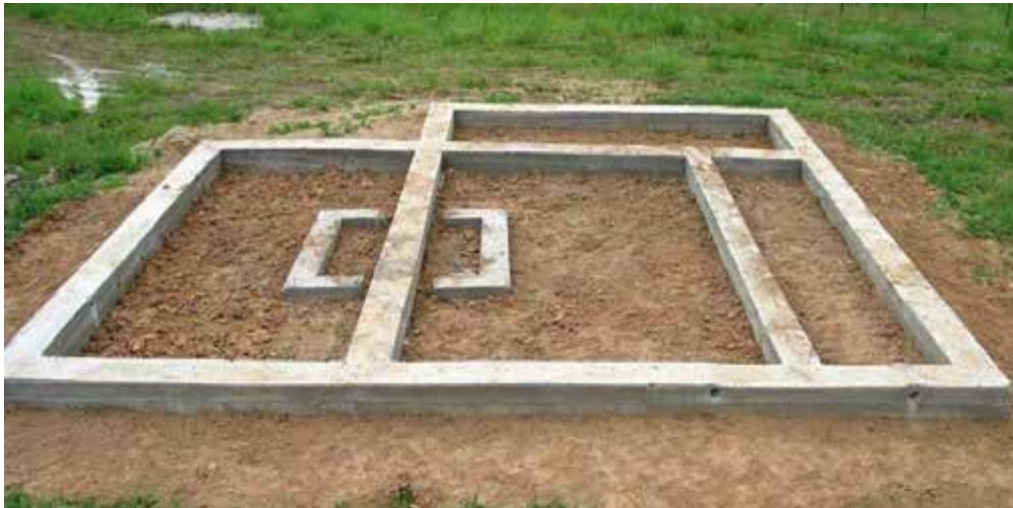


Fig.1. An example of a tape foundation

The foundation device does not require the use of special equipment.

Durability. If the foundation is submerged below freezing, it will be less susceptible to deformation and have a higher resistance. Depending on the material chosen for the foundation, the service life of the foundation is:

brick - 30-50 years;

reinforced concrete blocks - 30-75 years;

monolithic reinforced concrete tapes - up to 150 years.

When calculating the cost of the tape foundation can be reduced by choosing a cheaper type.

Monolithic structures

The monolithic foundation, regardless of the depth at which it is laid, makes it possible to erect buildings of any shape. This advantage can be used to embody both original individual solutions and typical projects. In addition, the monolithic foundations are stronger than precast ones and do not require additional waterproofing. Due to the integrity and depth of the structure, several foundation strips can be used as walls for the construction of basements.

When constructing a monolithic foundation, for example, for a warm energy efficient home, you do not need to hire expensive equipment, a fairly conventional concrete mixer. The disadvantage is the high complexity of work and high time costs. In addition, seasonality is of great importance for a monolithic foundation. The foundation should be filled in a warm season so that the construction is durable and reliable. The disadvantages of reinforced monolithic tape foundations can be attributed to the high consumption of materials: concrete, lumber, reinforcement.

#### Prefabricated structures

The main disadvantage of prefabricated foundations is the high cost of materials and works. In addition, special lifting equipment is required for erection. Reinforced concrete blocks cannot be used to erect a foundation on porous soils, as the movement of the soil can cause deformation of the structure, which cannot be strengthened by reinforcement. The blocks do not have the same strength as monolithic concrete tapes. Block joints need additional waterproofing to prevent water from entering the block joints.

УДК 351.07

## **КОНСТРУКЦІЇ ДЕРЕВ'ЯНИХ ОБОЛОНОК ТА З КЛЕЄНОЇ ДЕРЕВИНИ**

*Бочков О.С., магістр першого року навчання  
Науковий керівник – Бакуліна В.М., ст. викл.*

*Національний університет біоресурсів і природокористування України*

Конструкції дерев'яних оболонок завжди користувались попитом у народному господарстві. Застосування дерев'яних оболонок значно розширилося, коли з'явилися клейові дерев'яні конструкції.

На заводських потокових лініях дошки склеюють *зубчастими торцями* (рис. 1), перетворюючи їх в довгомірні матеріали, які потім можна склеїти в пакети і отримати принципово новий будівельний матеріал - клейову деревину, яка набагато перевершує природну деревину за своїми конструктивними властивостями. У клеєних виробках можна використовувати низькосортну деревину і маломірні дошки, які завдяки застосуванню високоміцних клеїв і механізованої технології склеювання перетворюються в першокласний будівельний матеріал. Для виготовлення несучих клеєних дерев'яних конструкцій необхідно використовувати пиломатеріали переважно 2-го сорту і в невеликих обсягах 3-го сорту для укладання в середню по висоті перетину зону. Використання короткомірних пиломатеріалів довжиною менше 2 м 3-го і 4-го сортів призводить до зростання собівартості і різкого зниження якості несучих конструкцій. Клеєна деревина досить вогнестійка навіть без спеціальної просочення. Особливо ефективним є застосування клеєної деревини в великопрогонних та арочних (рис.2), купольних (рис.3) і склепінчастих (рис.4) покриттях будівель і споруд.



Рис.1. Зубчасті клейові з'єднання: *а* - вертикальне; *б* - горизонтальне; *в* – діагональне

Існує велика кількість класифікаційних ознак, на підставі яких можна згрупувати просторові дерев'яні елементи. Однак будь-яка класифікація буде умовною. До класифікаційних ознак можна віднести матеріал конструкцій, геометрію і принципи формоутворення поверхні дерев'яної оболонки, її форму плану, характер роботи конструкції під навантаженням і багато іншого. Наприклад, за формою дерев'яні покриття, як і покриття з будь-якого будівельного матеріалу, діляться на склепіння (циліндричні поверхні) і куполи (поверхні обертання або зонтичні поверхні, див. рис.3).



Рис. 2. Аркова оболонка з дерева Рис.3. Дерев'яний купол в процесі будівництва

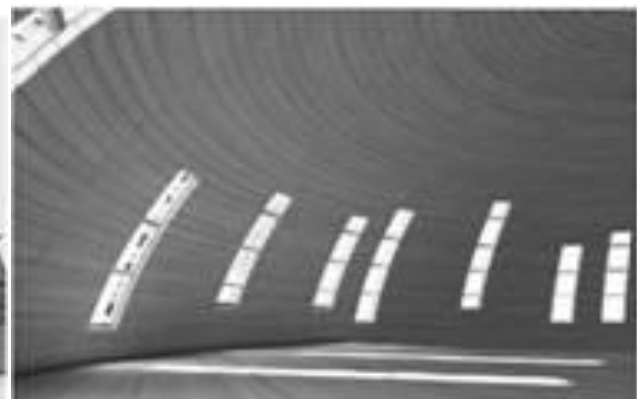


Рис.4. Дерев'яне склепіння аروحного типу. Рис.5. Тонкостінна суцільна оболонка з бруса

За конструктивним виконанням оболонки можуть бути *тонкостінні суцільні* (рис.5), *ребристі* (рис.6), *сітчасті* (рис.7).





Рис. 6. Ребриста оболонка з деревини Рис.7. Покриття з сітчастої оболонки

Сітчасті дерев'яні оболонки можна класифікувати за формою складових фігур сітки. Дерев'яні оболонки можуть бути виконані одно-, дво- і тришаровими.

*Кружальної-сітчастий* звід являє собою конструкцію, складену з коротких стандартних косяків (дошок, брусків), розташованих по двох взаємно пересічних гвинтових лініях (рис.8).

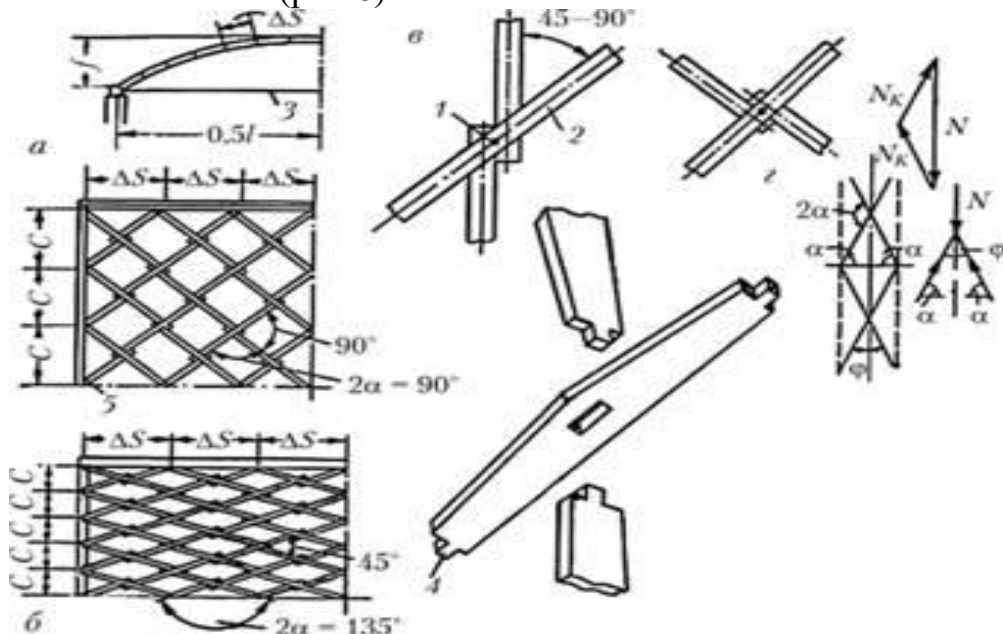


Рис. 8. Розбивка в плані сітки для кружальної-сітчастих склепінь: *a* - прямокутна; *b* - ромбічна; *v* - схеми вузлів системи С. І. Песельніка; *z* - розрахункова схема

**Висновок.** До основних переваг дерев'яних конструкцій належать: можливість використання місцевих матеріалів, мала об'ємна маса, транспортабельність, екологічність, технологічність у використанні.

Основні сфери раціонального застосування клеєних дерев'яних конструкцій — покриття виробничих, сільськогосподарських, громадських (спортивних, виставкових та інших будівель), деяких промислових будівель і споруд (у тому числі з хімічно агресивним середовищем), будівництво градирень, шахтних споруд, мостів, естакад, будівель і споруд у віддалених лісових районах, будівництво в сейсмічних районах.

Найважливіші переваги клеєних дерев'яних конструкцій:

- можливість отримання монолітних елементів великих розмірів і форм поперечного перетину, що мають підвищену тримальну здатність, довговічність і вогнестійкість;
- висока ефективність використання матеріалу (головним чином маломірного і різносортного пиломатеріалу).

УДК 691

## ADVANTAGES OF BITUMINOUS MASTICS

*Zaverukha R.B., assistant*

*National University of Life and Environmental Sciences of Ukraine*

Bitumen mastic has a number of advantages. Yes, it is an elastic insulation material that has high stretch and recovery performance. After coating the surface with a polymeric bitumen mastic, a waterproofing membrane is formed.

The popularity of bituminous mastic among our customers is quite justified: this material has excellent physico-chemical characteristics, among which - high heat resistance, reliability, durability, good adhesion to the glued materials. All these qualities make polymer mastic an ideal waterproofing material. Bituminous mastics are not blown away when exposed to water vapor and create a continuous, without joints and seams, waterproof film. It is simple enough to use: no special qualifications are required to work with it. The method of application is similar to the application of oil paint. Bituminous mastic without damage and loss of quality withstands conditions of high humidity, high or low temperature. Bituminous mastics are able to protect any surface from dampness, to resist the appearance of mold and fungus. The main advantage of this material is that it can withstand low (up to  $-50^{\circ}\text{C}$ ) and high (up to  $+100^{\circ}\text{C}$ ) temperatures.



Fig. 1. Manual application of bituminous mastic

Epoxy-bituminous mastics have similar characteristics. The quality of the material is confirmed by the certificate of compliance with the requirements of regulatory documents in terms of quality and safety (environmental, sanitary, fire) conditions. Bituminous mastics have been successfully used in conjunction with other bitumen-containing materials, such as roofing material. They are good for protecting against the moisture of the wood used in the construction of wooden fences, when processing the bottom of the boats.

New bitumen-polymer mastics for waterproofing have many advantages in comparison with other materials made of bitumen - the application is carried out by the method of surfacing with the help of infrared or fire nozzles. This allows to significantly improve the quality of waterproofing and eliminate the seasonality of work. There is also no need to arrange additional enclosures that prevent the waterproofing layer from shifting.

Polymer-bituminous mastic for insulation has such properties as resistance to foaming, durability, lightness, chemical resistance to corrosion, durability and water resistance. With the help of this mixture create a reliable and durable protection of homes from moisture.

Bitumen-polymer mastic is used for:

- arrangement of roofs;
- water and steam insulation of walls;
- treatment of interfloor floors;
- protection of rolled roofs from the negative effects of precipitation, atmospheric phenomena, solar radiation and chemicals;
- waterproofing of foundations, galleries, tunnels, pools, pipelines.



Fig. 2. Mechanical application of bitumen mastic

As a conclusion, today it is safe to say that bitumen-polymer waterproofing occupies a leading position in the construction sector. For comparison, adhesive waterproofing requires preparatory work to eliminate the unevenness of the substrate,

priming the surface with a liquid bitumen mixture. The coating is carried out in 3-4 layers of rolled material (hydroskloizole, foil insole, glass scrubber, waterproofing, glass insole). The adhesive hot mastic and the roll material are heated by using soldering or gas lamps. The bitumen mixture is applied with a roller or brush, occasionally with a spray (if the consistency of the mixture allows). The primer is applied in 1 ball. When processing the highly absorbent surface of the primer is applied in 2 layers. Bituminous mastic for waterproofing is one of the most economical and reliable options for sealing surfaces. The application of the mixture does not require special skills and many years of experience, with this task to cope with the strength of everyone.

УДК 69

## **ШВИДКОМОНТОВАНІ БУДІВЛІ ПОТЕНЦІАЛ ГАЛУЗІ БУДІВНИЦТВА**

*Богдан О.Р., магістр першого року навчання  
Науковий керівник – Бакуліна В.М., ст. викл.*

*Національний університет біоресурсів і природокористування України*

Зведення швидкокомнтованих будівель з використанням металокопструкцій – перспективний напрям розвитку будівельної галузі. В Україні поступово набирають обертів темпи комерційного будівництва, і завдяки цьому потреба у таких копструкціях зростає. Мінімізувати витрати та збільшити попит в країні допоможе застосування нових типів перспективної продукції, серед яких холодногнуті Z-C-профілі та SIN-балки. Крім того, стратегічно важливим ринком для поставок металокопструкцій вітчизняних виробників залишається близьке зарубіжжя.

Основні замовники будівель – представники середнього і малого бізнесу. Найпоширеніші площі – 300–4000м<sup>2</sup>, в основному для власного користування. Інвестиційно привабливим сегментом ринку залишаються торгові центри, а також об'єкти сільськогосподарського та промислового призначення, передусім для переробки та зберігання продукції. Мають значний потенціал логістичні та складські комплекси, хоча обсяги їх будівництва останнім часом зменшилися.

У загальній структурі ШМБ на сільськогосподарські та виробничі об'єкти припадає близько 40%, торгові – 45%, складські – 5%, спортивні – 5%, інші – 5%.

Стабільність, як і раніше, залишається актуальною для операторів ринку. Зменшення обсягів замовлень, що спостерігається після 2018 р., спонукають шукати нові можливості за кордоном. За різними оцінками, частка експорту провідних виробників металокопструкцій збільшилися до 30–40%.

У той же час, суттєво підвищилися вимоги інвесторів до проектування, спорудження та облаштування ШМБ. Пріоритет – мінімізація вартості будівництва, в тому числі за рахунок скорочення термінів. Якщо раніше



нормою було спорудження ТРЦ середнього формату за 9–12 місяців, то нині – лише півроку. Експерти переконані, що типову будівлю площею 20 тис.м<sup>2</sup> можна змонтувати «під ключ» за 3–4 місяці.



Рис. 1. Металевий каркас одноповерхової будівлі.

Суворий контроль за кошторисом будівництва з боку інвесторів зумовлений і тим, що об'єкти переважно використовуються для власних потреб, а не для перепродажу, практика якого була поширена в докризові часи.

В Україні широко застосовуються каркасна та з неповним каркасом конструктивні схеми будівель. Остання передбачає використання готових блоків, панелей або модулів. Таким способом зводять будівлі площею до 500 м<sup>2</sup> та не вище двох поверхів –наприклад, невеликі магазини або тимчасові споруди для обслуговування.

Технологія зведення каркасних будівель має ряд переваг. Загальна площа об'єктів може становити десятки тисяч квадратних метрів; висота внутрішніх приміщень – до 25 м; значна площа внутрішніх приміщень без несучих конструкцій – безопорні прогони довжиною до 48 м.

Порівняно із традиційними будівельними технологіями зведення ШМБ можна прискорити у 2–2,5 рази та зменшити витрати на 30–40%. Головною передумовою ефективності роботи є застосування нових типів металоконструкцій. Наприклад, використання SIN-балки (балка з тонкою гофрованою стінкою) та гнучого холоднокатаного профілю може зменшити необхідну масу металу у 1,5–2 рази.

Разом з тим, експерти наголошують, що важливо не нехтувати якістю матеріалів. Дешеві металоконструкції, відповідно, виготовлені з низькоякісної сировини, що згодом призведе до експлуатаційних проблем. Економити варто не на матеріалах, а на масі металу за допомогою використання нових типів конструкцій та ефективного проектування.

Швидкомонтовані будівлі зробили справжню революцію в сучасному будівництві. На зміну каменю, цеглі і дереву прийшли будматеріали нового типу. Такі нові будівельні технології складають серйозну конкуренцію капітального будівництва та мають перед ним явні переваги.

## ТЕХНОЛОГІЯ ДРУКОМ В 3D ЦИВІЛЬНИХ БУДІВЕЛЬ

*Любченко Г.В., магістр першого року навчання  
Науковий керівник – Бакуліна В.М., ст. викл.*

*Національний університет біоресурсів і природокористування України*

Проблема житла завжди існувала. До традиційних методів будівництва долучились новітні технології. Прикладом цього є компанія ICON заснована такими людьми як Jason Ballard , Alex Le Roux та Evan Loomis. Ця компанія стала першою в Америці, яка отримала дозвіл на будівництво та побудувала будівлю з 3D-друком. Будинок в Остіні, штат Техас (рис.1), був доказом концепції, яка об'єднала команду, інвесторів та замовників разом, щоб рухатись у майбутнє. Ця підтримка використовувалась для розробки робототехніки, програмного забезпечення та матеріалів як основної технології для партнерів та покупців дому. Міцність цих продуктів була доведена далі в ряді проектів, починаючи з цього першого будинку. Девіз компанії звучить так «Від світу, що розвивається, до безпритульності, гуманітарних зусиль і далі, наша місія полягає в тому, щоб зробити гідне житло доступним для всіх, скрізь». Технології 3D-друку налаштовані на трансформацію глобальної бездомності з 600-800 квадратними будинками, надрукованими за 24 години, за 4000 доларів. Домівки з 3D-друком є доказом концепції сталого домобудівництва, що дозволить швидше, ніж будь-коли, забезпечити більш безпечні, більш доступні будинки для більшості сімей. Принтер, званий Вулкан II, розроблений для роботи в умовах обмеження, які є загальними в таких місцях, як Гаїті та сільський Сальвадор, де потужність землетрусів може бути непередбачуваною, де не завжди є питна вода , а надія на технічну допомогу - рідкою. Він призначений для вирішення дефіциту житла для малозабезпечених груп людей , а не для побудови з мотивацією прибутку.

“We feel it’s our responsibility to challenge traditional methods and work toward ending homelessness. Linear methods will never reach the billion+ people who need safe homes,” - заявив Brett Hagler, генеральний директор New Story. “By working with ICON and leveraging their 3D printing innovations, we’re able to reach more families with the best possible shelter solutions, exponentially faster.”

Як можна зазначити з цитати - треба кинути виклик традиційним методам будівництва. Людство не стоїть на місці тому і будівництво не повинно відставати.

Саме Vulcan II це наше майбутнє він оснащений інтуїтивно зрозумілими планшетними елементами управління, віддаленим моніторингом та підтримкою, бортовим світлодіодним освітленням для друку вночі або під час низької освітленості, а також спеціальний програмний пакет, що забезпечує налаштування, роботи та обслуговування максимально прості та зрозумілі.





Рис. 1. Будівля виконана 3D друком

#### Технічні Характеристики Vulcan II:

1. Висота друку : 2,5 метра.  
Вулкан стоїть 3,5 метра заввишки і може друкувати настінні конструкції до 2,5м. заввишки.
2. Ширина друку : 8,5 метра.  
Вулкан охоплює 10 метрів і може друкувати на фундаментах шириною до 8,5. Довжина друку ефективно нескінченна.
3. Швидкість друку : 12-17 см/с
4. Номінальна потужність: 16 кВт
5. Максимальна потужність - 35 кВт. Напруга: 230 / 240В однофазна.
6. Споживання води: 2 г / хв
7. Магма вимагає подачу доступної води зі швидкістю споживання 2 галони на хвилину.

Vulcan оснащений інтегрованою операційною системою на основі планшетних ПК для управління всіма аспектами операцій друку через інтуїтивний, простий та красивий користувальницький інтерфейс.

Дивлячись в майбутнє можливо розглядати саме такий друк будівель не тільки на Землі, а навіть і поза нею.

Можна тільки уявити що на планеті яка ще придатна до заселення вже дистанційно будують будівлі споруди та тощо. Які тільки й будуть чекати на те щоб людина прилетіла та почала в них жити.

Таким чином ми розглянули прогресивну технологію майбутнього. Проаналізувавши можливості та методи будівництва Vulcan II, можна зробити один простий висновок – саме таких технологій нам не вистачає.



Рис. 2. Принтер Vulcan II

УДК 69(075.8)

## **БУДІВЕЛЬНІ ТЕХНІКА НА БУДІВЕЛЬНОМУ МАЙДАНЧИКУ**

*Гарячий С.В., магістр першого року навчання  
Науковий керівник – Бакуліна В.М., ст. викл.*

*Національний університет біоресурсів і природокористування України*

Існують певні вимоги до будівельної техніки. Будівельні машини повинні відповідати таким вимогам:

- відповідати їх технологічному призначенню у сучасному технологічному процесі;
- мати простоту конструкції з урахуванням умов праці;
- зручні в керуванні;
- бути універсальними (мати змінне обладнання);
- мати легкість монтажу та демонтажу;
- бути надійними в роботі;
- бути маневреними, мати високі робочі швидкості, що забезпечить сучасну продуктивність;
- бути комфортними.

Для сучасних будівельних машин характерні великі міцності й робочі швидкості, використання гідравлічних приводів і уніфікація.

Є багато машин для виконання обсягів земляних робіт. Одні з них які покращають продуктивність праці на будівельному майданчику завдяки новітнім технологіям:

Електрична бурова установка «Liebherr». Компанія «Liebherr» виготовила першу в світі бурову установку з живленням від акумуляторних батарей – LB 16. Їй не потрібен кабель. Заряду вистачає на 10 годин роботи. Заряджається вона за одну ніч. Завдяки низькому рівню шуму установка ідеально підходить для застосування у містах. Щодо решти якостей установка нічим не поступається вже звичним моделям. Її експлуатаційна маса 55 тон, максимальний обертальний момент 180 кНм, максимальна глибина буріння 34,5 м, максимальний діаметр свердловини – 1500 мм.



Рис. 1. Електрична бурова установка «LIEBHERR»



Рис. 2. Екскаватор «DOOSAN»

Екскаватор Doosan DX170LC-5 розроблено так, щоб полегшити та здешевити його транспортування. Маса машини 17 тон. До її переваг належить добра видимість з робочого місця. Оглядовість підвищують дві відеокамери. Екскаватор може працювати у чотирьох режимах – щоб краще збалансувати витрати палива і потужність з умовами роботи:

- Режим **сила плюс швидкість** призначений для високої продуктивності при завантаженні вантажівок, ритті твердої землі. Він забезпечує швидке переміщення робочих елементів;
- **Сила** дає необхідні зусилля, щоб копати у важких умовах;
- **Стандартний** режим оптимізує витрати палива при повсякденній роботі;
- **Економічний** – мінімізує споживання палива при невисоких темпах роботи та уповільнює рухи для умов, коли необхідна підвищена точність рухів.

Роботу машин можна відстежувати за допомогою облікового запису в інтернет. Дилери отримують інформацію про стан механізмів та можуть заздалегідь попереджати можливі неполадки. Потужність мотора екскаватора 131,3 к.с. при 2000 об/хв. Ковш має вантажопідйомність 5,8 тон.

Все частіше місце звичайних самоскидів на будівництві займають думпери. Вони з'явилися кілька десятиріч тому як компактні



машини для перевезення матеріалів на майданчику. А тепер можуть виконувати функції тягачів, працювати всередині будівель (цехів, складів), на підземних роботах, в садах і парках. Їх середовище там, де звичайні самоскиди через свої розміри та бездоріжжя працювати не можуть.

Німецький концерн «Wacker Neuson SE» створив нову концепцію вантажівки «Dual View», що до позитивних якостей самоскида (вантажопідйомність та швидкість) додала переваги думпера. Вона має хорошу прохідність, компактна та маневрена. На шарнірно-з'єднаній рамі встановлено тристоронній механізм розвантаження. Пристрій може обертатись на 270 ° навколо вертикальної осі та перекидати кузов крім фронтального ще на будь-який з бортів.

В 2019 році завершено створення нової лінійки: DV-60 вантажопідйомністю 6 тон, DV-90 на 9 тон та флагман DV-100 – на 10 тон. Усі три моделі оснащені дизельним двигуном Deutz TD2.9 L4, що має потужність 55,4 КВт. У машин – гідростатична трансмісія, яка забезпечує не лише повний привід, але й поворотність усіх коліс.

Водій Wacker Neuson добре бачить усе, що навколо. Щоб розвантажити машину, обертає сидіння з консоллю керування назад, в напрямку кузова: так легше маневрувати. А для поїздки – знову повертає сидіння з консоллю вперед.



Рис. 3. Вантажівка «DUAL VIEW»

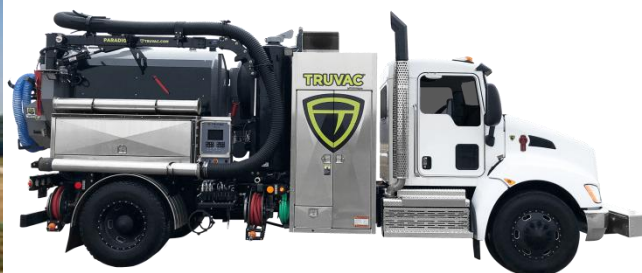


Рис. 4. Гідроекскаватор «TRUVAC»

Вакуумні екскаватори з'явилися близько 20 років тому. Вони працюють як пилосос і можуть видаляти комунальні відходи, сміття, глину, пісок, ґрунт, воду. Для цього у них є довга труба діаметром близько 30 см. Матеріал вони виймають, не порушуючи шарів поруч. Машини можуть рити рови, робити отвори для прокладки труб та інших комунікацій, коли проведення відкритих розкопок неможливе. Потужність агрегату дозволяє всотувати об'єкти до 25 см поперечиною та до 30 кг вагою. Іноді при роботі поєднують роботу повітряного струменя з водяним. Гідроекскаватор «Vactor HXX» вирізняє компактна землечерпалка. Є оптимізована система фільтрації. Машина має цистерну для води ємністю 2,7 куб. м. Новий автогрейдер «Komatsu» зменшений за розмірами та зусиллям для повороту кермо GD655-7 розташоване справа. Новаторська телематична система і монітори надають водієві інформацію про стан гідравлічної системи, витрати палива, продуктивність тощо. Нове сидіння з пневматичною підвіскою пом'якшує вібрації.

Двигун SAA6D107E-3 має потужність 218 к.с. і за викидами відповідає нормам Tier 4 Final. Триступеневе керування зміною потужності

(VHPS) дозволяє обрати один з двох режимів – економії палива або потужності. Якщо мотор довго працює вхолосту, датчик сам його вимикає. Під навантаженням забезпечує динамічне перемикання повної потужності та повільну передачу або автоматичне перемикання на більших швидкостях. Для роботи у важких умовах є блокування диференціалу. Якщо відвал торкається нерухомих об'єктів, удари поглинають гідроаккумулятори Blade Lift.

На грейдері можна встановлювати навісне обладнання.



Рис. 5. Автогрейдер «Komatsu»

Рис. 6. Самохідний бетоноукладач GT-3600

Самохідний бетоноукладач від компанії «Gomaco» полегшує роботу будівельників. GT-3600 призначений для влаштування бордюрів та жолобів, тротуарів, доріжок, парапетів, мостових огорож та дорожнього покриття завширшки до 3 м. Агрегат змонтований на трьох гусеничних візках, кожен з них має власну систему позиціонування. Система керування оснащена датчиками та точно витримує траєкторію руху. Агрегат може споруджувати бордюри та прокладати бетонні жолоби з мінімальним радіусом заокруглення до 610 мм. Швидкість роботи – 13 м/хв. Завантажувальний конвеєр з гідравлічним приводом реверсивний, з бункером має довжину 4,57 м, ширину 610 мм і забезпечує високу продуктивність. При транспортуванні довжина машини 5,3, ширина 2,6, висота 2,5 м. Для безпеки роботи на усіх важливих вузлах є кнопки аварійної зупинки. Безпеку надають також захисні щитки гусениць, попереджувальні написи тощо. Машина спроектована так, що оператор добре бачить виконання всіх робочих операцій. Всі ці машини прискорюють терміни будівництва та полегшують працю будівельникам.

УДК 691

## HEAVY CONCRETE

*Zaverukha R.B., assistant*

*National University of Life and Environmental Sciences of Ukraine*

Concrete is one of the most popular building materials in the world. It consists of cement, sand, water and fillers. In order to improve the performance of concrete,

its composition includes various additives - fillers. Depending on the percentage of composition, they are divided into particularly light, light, lightweight, heavy, especially heavy concrete. The most popular and widely used is heavy concrete. It is used both in the construction of private facilities and in industry, if the construction facilities require increased strength. To obtain heavy concretes use special fillers with increased strength, reliability and, accordingly, heavier weight. Heavy concrete is a fairly dense material of - 2 500 kg / m<sup>3</sup>.



Fig.1 Concrete mix

#### CALCULATION OF HEAVY CONCRETE COMPOSITION

The composition of heavy concrete has its own characteristics. To prepare it you must consider the recipe, as well as the following parameters and ingredients:

a certain brand of cement, such as M300 or M600. Portland cement can also be used as a base, it gives the concrete maximum strength;

purified from acidic and alkaline additives water makes the composition of the mixture more homogeneous, does not disturb the balance of sand and additives;

it is important that the sand is free of clay. Clay in the composition of concrete impairs its properties. For heavy concretes, sand with large grains is used to make the mixture more durable;

aggregate is the key indicator that determines the brand of concrete obtained. For heavy concretes the aggregate from rocks - crushed stone, granite is used;

The extra strength of heavy concrete can be provided by the marble crumb. The diameter of the grains of this aggregate should be not less than 7 cm;

special additives make it possible to improve the existing characteristics of the concrete mixture. Each additive performs a specific function. Some are able to shorten the pour point of cement and speed up construction work.



## COAGULATION ORGANIC BINDERS

*Zaverukha R.B., assistant*

*National University of Life and Environmental Sciences of Ukraine*

Mortars and concretes based thereon.

Organic binders used in the waterproofing device, in the manufacture of waterproofing materials and products, as well as waterproofing and asphalt solutions, asphalt, are divided into bitumen, tar, bituminous and tar. They are well soluble in organic solvents (gasoline, kerosene), have a watertightness, are able to move from a solid state to a plastic, and then liquid, have a high adhesiveness and good adhesion to building materials (concrete, brick, wood).

*Anhydrite binders*

Anhydrite occurs as natural rock ( $\text{CaSO}_4$ ) without crystalline water (natural anhydrite NAT) or is formed from artificially made anhydrite in installations for the extraction of sulfur from flue gases at coal-fired power plants (synthetic anhydrite SYN). It is also often referred to as REA - gypsum. In order for anhydrite to be able to perceive water, basic materials such as lime or basic and salt materials (mixed inhibitors) are added to it as pathogens (inhibitors).

The anhydrite solution begins to settle after 25 minutes and becomes solid no later than 12 hours. Its hardening occurs only in the air. Anhydrite viscous (AB) is delivered to DIN 4208 in two strength classes. It can be used as a binder for plasters and screeds, as well as for internal building structures. Stucco with anhydrite binders must be protected from moisture. Mixed binders

*Mixed binders* are hydraulic binders that contain fine-grained tracks, blast furnace slag or blast furnace sand, as well as lime hydrate or Portland cement as an inhibitor for water perception. Mixed binders harden both in the air and under water. Their compressive strength is set to DIN 4207 not less than 15 N / mm<sup>2</sup> 28 days after installation. Mixed binders can only be used for mortars and unreinforced concrete.

## ШКІДНИКИ ДЕРЕВ'ЯНВИХ БУДІВЕЛЬ ТА КОНСТРУКЦІЙ

*Сніжкова Д.М., магістр першого року навчання*

*Науковий керівник – Бакуліна В.М., ст. викл.*

*Національний університет біоресурсів і природокористування України*

Захист деревини - це найголовніше питання для тих хто буде та проживає в будівлях з цього матеріалу.

У числі перших заходів по захисту будинку варто передбачити захист дерева від вологи. Дощі, сніг, туман, конденсат, висока вологість, морози і відлиги - це причини з яких в дереві з'являються цвілеві гриби, гнильні бактерії і комахи-шашілі. Всі вони впливають на деревину по -різному, тому не існує одного єдиного засобу захисту від всіх хвороб деревини.

З найбезпечніших шкідників виділимо цвіль. Вона перефарбовує окремі ділянки дерева в зеленуватий колір, сильно уражені ділянки можуть з часом стати темно-сірими або рожевими, але при цьому сама структура колоди не змінюється.

Більш серйозний ворог дерева це гниль або грибок, який руйнує його структуру, тому є дуже небезпечна для дерев'яного будинку. Необхідно обов'язково вибрати надійний захист від грибка. Цей шкідник здатний за короткий час «з'їсти» дуже товстий шар дуба. Головна проблема це те, що білий гриб дуже легко сплутати зі звичайною пліснявою, вони дуже схожі.

Профілактика виникнення вище описаних проблем – це, головним чином, захист деревного матеріалу від вологи, вогкості. Тому дуже важливо, щоб на етапі проектування була створена надійна система вентиляції, весь будинок повинен постійно провітрюватися. Вентиляційна система повинна охоплювати кожен куточок будинку без винятку. З комах, які шкідливі для деревини, відзначимо таких, як жук шашіль, деревний жук, а також домовий вусань. Як і у випадку з цвіллю і грибок, головне не упустити момент і вчасно вжити заходи. Маленький отвір, здається, не призведе до великої проблеми, але якщо він почне розростатися, проблем не уникнути.

Перший і найбільш поширений в нашій країні, та й взагалі в Європі, - це жук-короїд.



Рис. 1. Жук-короїд.



Рис. 2. Жук меблевий точильник

Величина його коливається в межах 0,8-9 мм, живе в більшості всередині деревини, прогризає дуже багато ходів розміром 1-3 мм.

Другий представник цих настирливих істот - це меблевий точильник. Жук не представляє небезпеки для дерев'яного виробу, а от личинка цього жука проробляє канали в деревині і там же харчується, пошкоджуючи при цьому меблі, віконні рами, балки, покриття для підлоги (паркет і тощо).

Найбільший - це Жук-вусач.



Рис. 3. Жук-вусач.



Рис.4. Жук-терміт

Розміром від 16 до 30 мм .Сам жук не їсть деревину, головну небезпеку для дерева або виробу з дерева представляє його личинка, яку він відкладає в тріщини або ж на уражені ділянки. У деревині вони знаходяться близько року чи двох.

Незвичайний шкідник - це Терміт. Приблизно 10% видів термітів є шкідниками, приносячи втрати господарству людини, але не залежно від того що це всього 10% вони все одно завдають шкоди не тільки лісу, а й дерев'яним будівлям і конструкціям.

Усунення контакту деревини з землею, використання бетонного фундаменту або сталевий основи. Хоча навіть у цьому випадку терміти за допомогою тунелів здатні досягти дерева; крім того, відомі випадки, коли для цієї мети вони використовували труби водопроводу. Захистять дерево від комах хімічні препарати. Цей спосіб єдиний, який ефективний, але містить шкідливі для людини і навколишнього середовища елементи. Тому наносити їх потрібно тільки дотримуючись інструкціям.

УДК 624.045.12

## **ПОСЛІДОВНІСТЬ МОДЕЛЮВАННЯ ТА РОЗРАХУНКУ ЦЕХУ З ВИРОБНИЦТВА МЕТАЛЕВИХ КОНСТРУКЦІЙ**

*Тимошенко В.В., магістр першого року навчання  
Науковий керівник – Яковенко І.А., д.т.н., доц.*

*Національний університет біоресурсів і природокористування України*

Розрахунок каркасу цеху здійснюється у програмному комплексі «Мономах-САПР» за допомогою підпрограми «Компоновка». У програмі будується просторовий вигляд каркасу і задаються навантаження та матеріали з яких виготовлені складові каркасу. Розрахунок здійснюється для блоку I-II, інші блоки розраховуються аналогічно.

Плиту перекриття виготовляють з важкого бетону класу С25/30. Робоча арматура плити приймається із сталі класу А400С, монтажна – А240С.

Колону (перерізом 400×400 мм) виготовляють з важкого бетону класу С16/20. Робоча арматура приймається із сталі класу А400С, монтажна – А240С. Колону підвалу (перерізом 600×600 мм) виготовляють з бетону класу С16/20. Робоча арматура приймається із сталі класу А400С, монтажна – А240С.

Район будівництва I за сніговим та II за вітровим навантаженням. Для вітрового навантаження тип місцевості В, у відповідності з [1].

Розрахункові дані експортуються в підпрограми комплексу «Мономах», для подальшого їх розрахунку. Також по закінченню розрахунків видається розрахункова записка, яка включає в себе характеристику будівлі та ґрунту, навантаження елементи каркасу (колони, фундаменти) та попередні розміри фундаментів.

**Розрахунок плити перекриття** проводиться в підпрограмі «Плита», характеристики плити та навантаження на неї імпортується з підпрограми «Компоновка».

По закінченню розрахунку підбирається армування колони. За основне - приймаються сітки в нижній та верхній зонах з арматури Ø12А400С з кроком 150×150 мм. Також додатково встановлюється арматура у верхній та нижній зонах на ділянках під стінами та у розтягнутій зоні на консольних ділянках плити. Пливу виготовляють з важкого бетону класу С25/30.

**Розрахунок колони** проводиться в підпрограмі «Колона», характеристики колони та навантаження на неї імпортується з підпрограми «Компоновка». Колона 1-9 поверху перерізом 400×400 мм армується 4 стержнями з арматури Ø16А400С (виконуються випуски  $L=1000$  мм, для з'єднання з колонною поверхом вище). Поперечна арматура класу Ø8А400С встановлюється з кроком 200 мм. Колону виготовляють з бетону класу С16/20. Зміна діаметру арматури не відбуваються за рахунок того, що арматура працює на згин, а по висоті будинку моменти практично рівні.

Колона підвалу перерізом 600×600 мм армується 8 стержнями з арматури Ø16А400С (виконуються випуски  $L=1000$  мм, для з'єднання з колонною поверхом вище). Поперечна арматура класу Ø8А400С встановлюється з кроком 200 мм. Колону виготовляють з бетону класу С16/20.

Таблиця 1

**Збір навантажень від покриття**

№ п/п	Склад	Нормативне навантаження, $кН/м^2$	Коефіцієнт надійності за навантаженням	Розрахункове навантаження, $кН/м^2$
1	2	3	4	5
<b>Постійне навантаження:</b>				
1	Профільований настил Rannila	0,132	1,05	0,14
2	Металоконструкції покриття	0,60	1,05	0,63
3	Профільований настил Rannila	0,117	1,05	0,122

Продовження таблиці 1.

1	2	3	4	5
4	Утеплювач ISOVER OL-КА $\delta = 120 \text{ мм}$	0,96	1,3	1,25
5	Підвісна стеля	0,141	1,05	0,148
	<b>Всього:</b>	<b>1,95</b>		<b>2,29</b>
	<b>Тимчасове довготривале:</b>			
6	Снігове навантаження	0,5	1,4	0,665

**Примітка:** навантаження від власної ваги складових каркасу, а також стін та перегородок визначає сама програма, для цього необхідно задати тільки характеристики матеріалів.

Розрахунок фундаменту проводиться в підпрограмі «Фундамент», характеристики ґрунту та навантаження імпортуються з підпрограми «Компоновка». Фундамент під колону перерізом  $600 \times 600 \text{ мм}$  за розрахунком двохступінчастий без підколінника з розмірами в плані  $2700 \times 2700 \text{ мм}$ . Армується сіткою з арматури класу  $\text{Ø}14\text{A}400\text{C}$  з кроком  $200 \times 200 \text{ мм}$ . Але оскільки немає можливості влаштувати такий фундамент під кожен із-за невеликих відстаней між осями колон, то кілька фундаментів об'єднуються в один. З фундаменту влаштовуються випуски з арматури під колону підвалу. Фундамент виготовляють з бетону класу С12/15.

#### **Список використаної літератури:**

1. Нагрузки и воздействия: нормы проектирования: ДБН В.1.2.–2:2006. – [Введены в действие с 2007-01-01]. – К. : Минстрой Украины, 2006. – 68 с. – (Государственные строительные нормы Украины).

УДК 624.045.12

## **РОЗРАХУНОК МІЦНОСТІ ЗАЛІЗОБЕТОННИХ КОНСТРУКЦІЙ, ПОСИЛЕНИХ ПОПЕРЕДНЬО НАПРУЖЕНИМИ ЗАТЯЖКАМИ**

*Кінаш І.І., магістр першого року навчання  
Науковий керівник – Яковенко І.А., д.т.н., доц.*

*Національний університет біоресурсів і природокористування України*

Пристрій зтяжок перетворює посилену залізобетонну конструкцію у статично невизначену комбіновану систему, яка складається із залізобетонного елемента і зтяжки [1].

Оскільки реакція від зтяжки передається на опорний переріз, підсилену згинальну, позаентрово стиснутої (розтягнутої) конструкції, то з'являється додаткова стискаюча сила. Крім того, у залежності від місця закріплення

затяжки, виникають кінцеві розвантажуючі або дозавантажені моменти. При посиленні шпренгельними затяжками на підсилену конструкцію діють розвантажуючі сили у місцях перегину затяжки.

Розрахунок міцності залізобетонних елементів, підсилених затяжками здійснюють, виходячи з припущення, що граничний стан підсилених конструкцій настає одночасно з досягненням існуючою арматурою і затяжкою розрахункового опору.

Спочатку орієнтовно визначають площу поперечного перерізу затяжки з урахуванням коефіцієнта умов її роботи:

– для горизонтальної  $\gamma_{p,ad} = 0,8$ ;

– для шпренгельної і діагональної  $\gamma_{p,ad} = 0,7$ ,

і обчислюють зусилля в затяжці у граничному стані. Потім виконують перевірку міцності посиленої конструкції з урахуванням реактивної стискаючої сили затяжки.

Розрахункова схема конструкції, посиленої попередньо напруженими затяжками наведені на рис. 1.

Після визначення перерізу затяжки проводять перевірку міцності посиленої конструкції. Додаткова стискаюча сила опорної реакції затяжки дорівнює:

– для горизонтальної затяжки:

$$N_{ad} = \gamma_{p,ad} \cdot f_{yd,ad} \cdot A_{p,ad}, \quad (1)$$

– для шпренгельної і діагональної затяжок:

$$N_{ad} = \gamma_{p,ad} \cdot f_{yd,ad} \cdot A_{p,ad} \cdot \varphi, \quad (2)$$

де  $\varphi$  – кут, який становить похилу ділянку затяжки з поздовжньою віссю посиленої конструкції.

Додатковий кінцевий момент дорівнює:

$$M_{ad} = N_{ad} \cdot e_{ad}, \quad (3)$$

де  $e_{ad}$  – відстань між місцем закріплення затяжки і віссю, яка проходить через центр ваги перерізу конструкції.

При посиленні конструкцій затяжками можуть виникнути негативні згинальні моменти від попереднього напруження в затяжці. В цьому випадку необхідно виконати перевірку міцності конструкції на дію зусилля попереднього напруження в затяжці при навантаженні на конструкцію на стадії посилення.



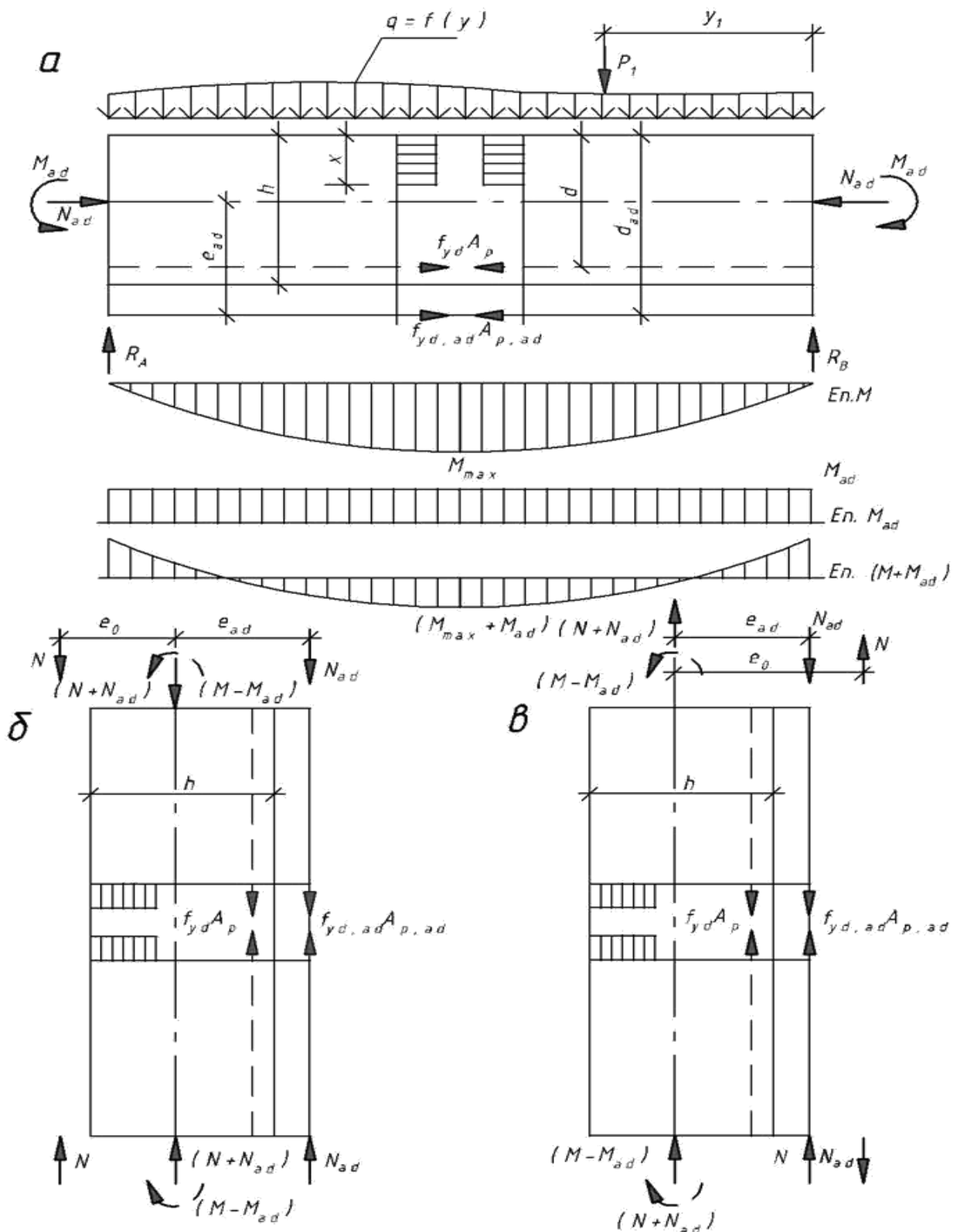


Рис. 1. Розрахункові схеми конструкцій, посилені горизонтальними зтяжками: *a* – при згині; *б* – при позацентровому стиску; *в* – при позацентровому розтягу

### Список використаної літератури

1. Яковенко І. А. Реконструкція будівель та споруд аеропортів : мет. реком. до виконання РГР для студентів спец. 6.06010101 / І. А. Яковенко, Є. А. Бакулін. – К.: НАУ, 2013. – 50 с.

## ОСОБЛИВОСТІ КОНСТРУЮВАННЯ ТА РОЗРАХУНКУ КОНСТРУКЦІЇ СКЛЕПІННЯ

*Ілляшенко О.О., магістр першого року навчання  
Науковий керівник – Яковенко І.А., д.т.н., доц.*

*Національний університет біоресурсів і природокористування України*

У практиці зведення будівель під конструкцією склепіння розуміється просторове тонкостінне покриття у вигляді криволінійної плити, яка має відповідний розпір і працює на стиск (рис. 1). Такі покриття мають окреслення нульової, додатної або від’ємної гаусової кривизни. Як правило, склепінчасті покриття мають хвилеподібну форму [1]. Поперечний переріз хвиль покриття приймають на практиці у вигляді трикутника, трапеції чи циліндра шириною 2...3 м (рис. 1, а, б). Хвилеподібна форма поперечного перерізу значно збільшує жорсткість та несучу здатність склепінчастого покриття. Це дозволяє за допомогою склепінь перекривати цивільні та промислові будівлі прольотами до 100 м.

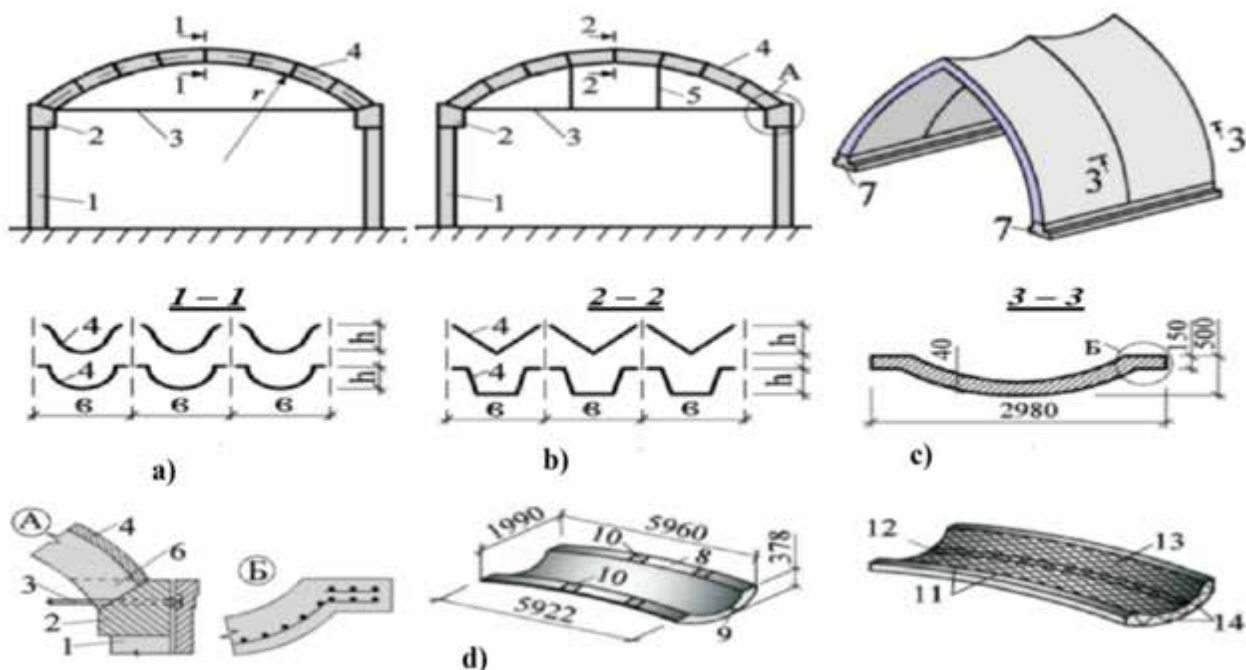


Рис. 1. Конструкції склепінчастих оболонок:

- a* – зі збірних криволінійних елементів;
- b* – зі збірних прямолінійних елементів; *c* – зі збірних панелей-оболонок;
- d* – збірна панель-оболонка та її армування;
- 1 – колона; 2 – опорна балка; 3 – затяжка; 4 – збірний елемент;
- 5 – почіпка (підвіска); 6 – забетонка пазух; 7 – фундамент;
- 8 – поздовжнє ребро; 9 – поперечне ребро; 10 – закладні сталеві деталі; 11 – стержні поздовжніх ребер; 12 – стержні уздовж гребеня хвилі;
- 13 – ромбовидна сітка; 14 – арматура поздовжнього ребра

У поздовжньому напрямку окреслення склепінь (тобто окреслення осі, яка проходить через центр ваги поперечного перерізу) рекомендується зображувати у вигляді однієї із наступних кривих: дуги кола, параболи, гіперболи та інших наближених до них кривих або ламаних ліній, вписаних в криві.

Уписуванням прямокутних елементів із призматичними контурами у відповідні криві отримують *призматичні склепіння* (рис. 1, а). Якщо в поздовжньому та поперечному напрямках окреслення склепінь – дуга кола однозначної кривизни, то такі оболонки називають *бочарними склепіннями*.

Склепінчасті покриття можуть бути пологими ( $f = 1/12l$ ) (рис. 1, а, б) та високими ( $f = 1/2l$ ) – (рис. 1, с), одно- та багатопролітними. У якості опор пологих склепінь застосовують стіни або колони (рис. 1, а, б), а високих склепінь – безпосередньо фундаменти (рис. 1, с).

Склепіння за способом виготовлення бувають збірні та монолітні [1, 4]. Монолітні склепіння з прольотами до 12 м проектують циліндричними гладкими, при більших прольотах – у них передбачають зміцнювальні ребра в напрямку прольоту для підвищення несучої здатності оболонки.

Широкого застосування в промисловому та сільськогосподарському будівництві набули склепіння прольотами 18, 21 та 24 м висотою відповідно 9, 7,2 та 6 м. Такі склепіння складаються із двох уніфікованих збірних залізобетонних або армоцементних панелей-оболонок (піварок), виготовлених на заводах (рис. 1, с).

Залізобетонні панелі-оболонки виготовляють від'ємної гаусової кривизни (гіперболічно-параболічної форми) товщиною до 40 мм з поздовжніми та торцевими ребрами товщиною до 90 мм. Також застосовують залізобетонні панелі-оболонки нульової гаусової кривизни (циліндричної форми), які виготовляють у вигляді таврового поперечного перерізу. Товщина такої оболонки із залізобетону – 30 мм, із армоцементу – 15 – 20 мм. Уздовж оболонки є ребра висотою 250...390 мм, при необхідності для забезпечення стійкості полиць плити влаштовують проміжні ребра висотою 150...250 мм. У склепіннях зі збірних елементів-піварок панелі-оболонки між собою з'єднують зверху в замку, а між собою уздовж з'єднують зварюванням випусків арматурних стержнів із наступним замоноличуванням стиків бетоном. Опірають піваркові елементи панелі-оболонки високих склепінь на фундаменти шарнірно.

Призматичні склепіння, які мають профіль складки (рис. 1, б), споруджують прольотами 12...24 м шириною складки до 12 м зі збірних плоских панелей. Застосовувані рядові панелі мають номінальні розміри 3×6 або 3×12 м, а опорні панелі виготовляють трапецієподібними. Ці склепіння спираються на стіни або колони через бортові елементи у вигляді трикутних ферм. Розпір кожної складки сприймається чотирма стяглями із арматурних стержнів класу А240С, А400С, які розташовані між опорними вузлами ферм. Стяглі підтримуються почіпками, якщо прольот перевищує 24 м.

Розрахунок несучої здатності склепінь здійснюють залежно від їх конструкції [1, 2]. Якщо склепіння зводять монолітні, то їх звичайно

розраховують як однохвильові двошарнірні арки з відповідним профілем поперечного перерізу (криволінійного чи складчатого).

Хвилясті склепіння, які складаються з двох елементів-піварок, розраховують як тришарнірні арки. В розрахунках постійне навантаження сталої інтенсивності  $g$  від маси оболонки на горизонтальну площину враховують зі збільшенням на величину  $g_1$ , спричинену нахилом покриття. Навантаження від маси снігу  $s$  в однопрольотних склепіннях розглядається прикладеним на половині прольоту з однієї сторони від замка, а в багатопролітних склепіннях – з урахуванням снігових мішків згідно з вимогами норм [3].

Значення згинальних моментів, нормальних та поперечних сил, які діють у перерізах елементів склепіння, визначають за наступними формулами:

$$\left. \begin{aligned} M &= M_0 - H \cdot y, \\ N &= V_0 \cdot \sin \varphi + H \cdot \cos \varphi, \\ V &= V_0 \cdot \cos \varphi - H \cdot \sin \varphi, \end{aligned} \right\} , \quad (1)$$

в яких  $M_0, V_0$  – зусилля в даному перерізові для однопролітної шарнірно опертої балки прольотом  $l$ ;  $y$  – ордината осі склепіння в перерізові, для якого визначаються зусилля;  $H$  – розпір хвилі склепіння.

**Висновок.** Тонкостінні склепіння потребують перевірку їх стійкості. Також є необхідним розрахунок міцності перерізів у четвертях прольоту, де при односторонніх навантаженнях від маси снігу виникають максимальні знакоперемінні згинальні моменти. Перерізи склепіння за міцністю розраховують як позацентрово стиснуті елементи. Фундаментні, а також підсклепінні балки, на які спираються хвилеподібні частини склепіння, розраховують на дію косоного згинання та крутіння.

#### Список використаної літератури:

1. Павліков А.М. Залізобетонні конструкції: будівлі, споруди та їх частини: Підручник [для студ. вищ. навч. закл.] / А.М. Павліков; ПолтНТУ. – Полтава: ТОВ «АСМІ», 2017. – 284 с.
2. Практичний посібник із розрахунку залізобетонних конструкцій за діючими нормами України (ДБН В.2.6–98:2009) та новими моделями деформування, що розроблені на їхню заміну / [Бамбура А.М., Павліков А.М., Колчунов В.І. та ін.]. – К. : Голока, 2017. – 627 с.
3. Нагрузки и воздействия: нормы проектирования : ДБН В.1.2.–2:2006. – [Введені в действие с 2007-01-01]. – К. : Минстрой Украины, 2006. – 68 с. – (Государственные строительные нормы Украины).
4. Будівлі підприємств : параметри : ДСТУ Б В.2.2–29:2011. – [Чинний з 2012-12-01]. – К. : Мінгеріонбуд України, 2011. – 11 с. – (Національний стандарт України).

## АЛГОРИТМ РОЗРАХУНКУ МІЦНОСТІ ПЛИТ ПО ВИДІЛЕНИМ ПЛОСКИМ ЕЛЕМЕНТАМ

*Гоменю В.В., магістр першого року навчання  
Науковий керівник – Яковенко І.А., д.т.н., доц.*

*Національний університет біоресурсів і природокористування України*

У роботі розглядаються виділені з плити плоскі елементи з одиничними розмірами по ширині, по бічних сторонах яких уздовж осей  $X$  і  $Y$  діють згинальні моменти  $M_x$  і  $M_y$ , крутний момент  $M_{xy}$  та поперечні сили  $Q_x$  і  $Q_y$  (рис. 1).

Зусилля  $M_x$ ,  $M_y$ ,  $M_{xy}$ ,  $Q_x$  і  $Q_y$  визначають в загальному випадку з розрахунку плити методом скінченних елементів і вони являють собою значення на одиницю довжини (ширини) елемента.

Поздовжнє армування здійснюється ортогонально розташованими арматурними стрижнями в напрямках осей  $X$  і  $Y$ , що відповідають прийнятій системі координат.

**Умови міцності.** Плоскі залізобетонні елементи перекриттів і стін каркасно-стінових конструктивних систем багатоповерхових монолітних будівель в загальному випадку працюють під впливом згинаючих і крутних моментів, поздовжніх, зсувних та поперечних сил [1, 2]. Разом з тим в нормативних документах з проектування залізобетонних конструкцій методи розрахунку міцності плоских залізобетонних елементів на зазначену комбінацію силових впливів мало представлені.

Розглядаються в граничному стані ортогонально армовані плоскі елементи, напрямки арматури в яких збігається з напрямком координатних осей. Приймається, що в арматурі розвиваються тільки нормальні напруження. Згідно з дослідженнями М.І. Карпенко вплив дотичних напружень на величину межі текучості дуже малий [3].

Виділимо з розглянутого елемента квадратний елемент з одиничними розмірами по ширині, по бічних сторонах яких у взаємно перпендикулярних напрямках уздовж осей  $X$  і  $Y$  діють згинальні моменти  $M_x$  і  $M_y$ , крутний момент  $M_{xy}$ , і поперечні сили  $Q_x$  і  $Q_y$  (рис. 2).

Уявімо плоский елемент що складається з двох шарів - арматурного шару, що включає розтягнуту арматуру, і бетонного шару, що включає бетон над тріщинами (рис. 2). Від дії згинальних моментів  $M_x$  і  $M_y$  і крутних моментів  $M_{xy}$  в кожному з цих шарів по бічних гранях виникають поздовжні зусилля  $N_x = \frac{M_x}{z}$ ,

$N_y = \frac{M_y}{z}$  і зсувні сили  $N_{xy} = \frac{M_{xy}}{z}$ , де  $z$  – відстань між центрами арматурного і бетонного шарів (плече пари сил).

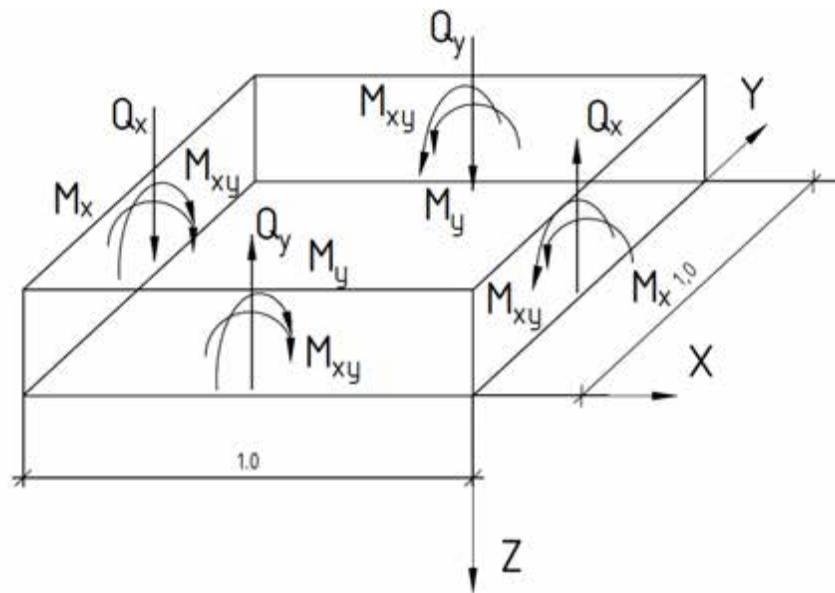


Рис. 1. Схема зусиль, які діють на виділений плоский елемент одиничної ширини

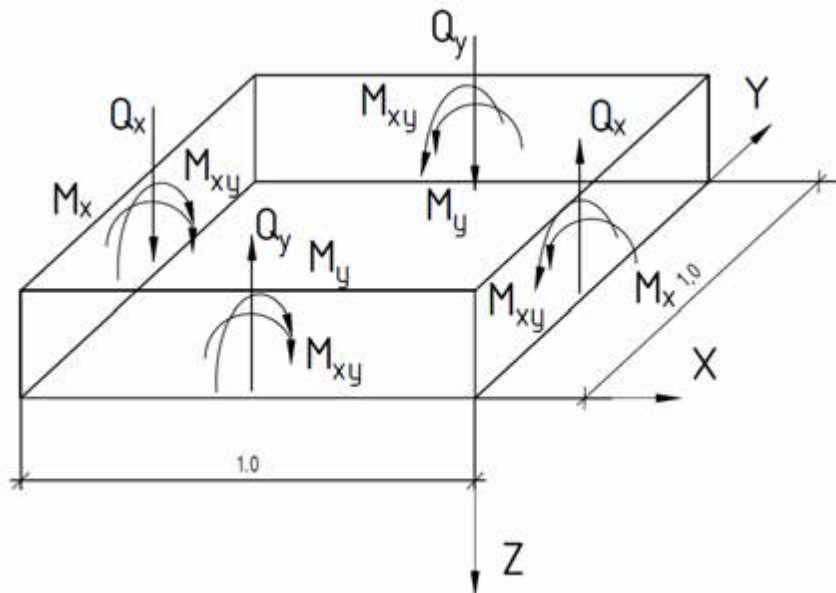


Рис. 2. Схема зусиль, які діють у бетонному і арматурному шарах виділеного плоского елемента плити

Виділимо з плоского арматурного шару похилим перерізом трикутну призму з похилою гранню, що збігається з лінією зламу, довжиною, що дорівнює 1,0 з кутом нахилу по відношенню до однієї з ортогональних граней, рівним  $\alpha$ . Довжина ортогональних граней становить відповідно  $\cos\alpha$  і  $\sin\alpha$ . За ортогональними гранями призми діють поздовжні розтягуючі зусилля  $N_x$  і  $N_y$  і зсувні (дотичні) зусилля  $N_{xy}$  від зовнішнього навантаження. По похилій грані призми діють осьові зусилля в ортогонально розташованій поздовжній арматурі  $N_{sx}$  та  $N_{sy}$ .

Дотичними зусиллями, що діють впоперек арматурних стержнів, нехтуємо.

Величини  $N_x$ ,  $N_y$ ,  $N_{xy}$ , та  $N_{sx}$ ,  $N_{sy}$  являють собою розподілені зусилля на одиницю довжини елемента.



Рівняння рівноваги внутрішніх і зовнішніх сил, що діють на виділений трикутний елемент, мають вигляд:

– у напрямку осі  $X$ :

$$N_x \cos \alpha + N_{xy} \sin \alpha = N_{sx} \cos \alpha ; \quad (1)$$

– у напрямку осі  $Y$ :

$$N_y \sin \alpha + N_{xy} \cos \alpha = N_{sy} \sin \alpha . \quad (2)$$

Після перетворень рівняння для арматурного шару можуть бути представлені:

$$N_{sx} = N_x + N_{xy} \operatorname{tg} \alpha ; \quad (3)$$

$$N_{sy} = N_y + N_{xy} \frac{1}{\operatorname{tg} \alpha} . \quad (4)$$

Таким чином, існують різні підходи до розрахунку міцності плоского виділеного елемента плити на дію згинальних моментів  $M_x$  і  $M_y$  і крутних моментів  $M_{xy}$  [5].

По-перше, проводиться поділ плоского елемента на окремі шари (арматурний і бетонний) і кожен шар розраховується окремо на дію поздовжніх  $N_x$  і  $N_y$  та зсувних  $N_{xy}$  зусиль в цьому шарі, або плоский елемент в цілому розраховують на дію згинальних і крутних моментів  $M_x$ ,  $M_y$  і  $M_{xy}$ .

По-друге, розрахунок проводиться з урахуванням кута нахилу діагонального перерізу  $\alpha$ , що характеризує можливий стан діагональної тріщини, або виходячи з мінімуму сумарної кількості поздовжньої арматури в двох ортогональних напрямках, що відповідає куту  $\alpha = 45^\circ$ , або виходячи з узагальненого рівняння незалежно від кута нахилу діагонального перерізу.

#### Список використаної літератури:

1. Бетонні та залізобетонні конструкції. Основні положення : ДБН В.2.6-98:2009. – [Чинний з 2011-07-01]. – К. : Мінгеріонбуд України, Державне підприємство «Укрархбудінформ», 2011. – 71 с. – (Державні будівельні норми).
2. Бетонні та залізобетонні конструкції з важкого бетону. Правила проектування : ДСТУ Б.В.2.6–156:2010. – [Чинний з 2011-06-01]. – К. : Мінгеріонбуд України, 2011. – 118 с. – (Національний стандарт України).
3. Карпенко Н. И. Общие модели механики железобетона / Н. И. Карпенко. – М.: Стройиздат, 1996. – 416 с.
4. Практичний посібник із розрахунку залізобетонних конструкцій за діючими нормами України (ДБН В.2.6–98:2009) та новими моделями

деформування, що розроблені на їхню заміну / [Бамбура А.М., Павліков А.М., Колчунов В.І. та ін.]. – К. : Толока, 2017. – 627 с.

- Salnikov A., Kolchunov V.I., Yakovenko I. The computational model of spatial formation of cracks in reinforced concrete constructions in torsion with bending // Applied Mechanics and Materials. Vols. 725–726 (2015), pp 784–789.

УДК 624.012.45.004(075.8)

## МОДЕЛЮВАННЯ СТІНОВИХ ЕЛЕМЕНТІВ ПРОСТОРОВОЇ РОЗРАХУНКОВОЇ СХЕМИ ЗА ДОПОМОГОЮ ПРЕПРОЦЕСОРА «САПФІР»

*Бочков О.С., магістр першого року навчання  
Науковий керівник – Дмитренко Є.А., к.т.н., ст.викл.*

*Національний університет біоресурсів і природокористування України*

При моделюванні та розрахунку стінових елементів монолітних залізобетонних несучих каркасів за методом скінченних елементів на даний існує декілька варіантів урахування їх дійсної роботи у складі каркасу будівлі чи споруди.

Традиційно, стінові елементи (пілони, простінки, перемички) моделюють пластинчастими оболонковими скінченними елементами (СЕ) типу SE41, 42, 44 (приклад класифікації скінченних елементів ПК «ЛІРА-САПР»). Це, перш за все, викликано бажанням спрощення та прискорення процесу створення розрахункової схеми за рахунок його автоматизації (рис. 1)

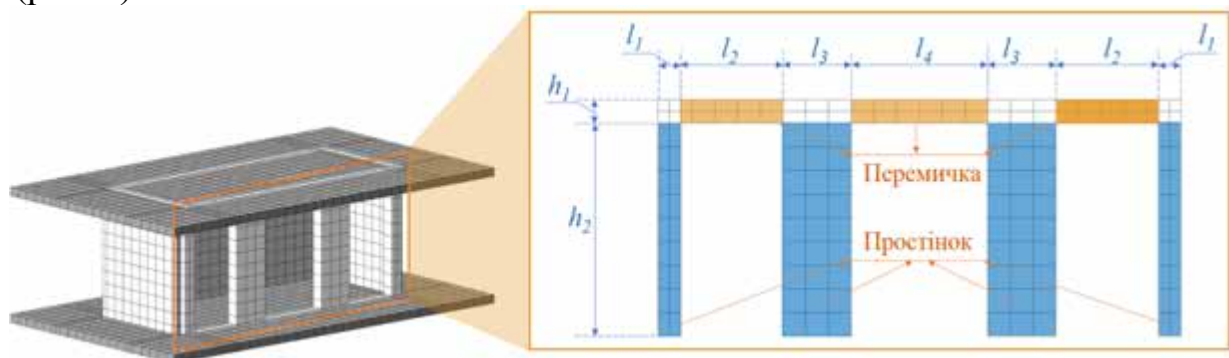


Рис. 1. Моделювання стінових елементів будівлі оболонковими скінченними елементами у ПК «ЛІРА-САПР»

Але за характером роботи ці елементи більш наближені до роботи стержня, ніж до оболонки, НДС яких суттєво відрізняється між собою і впливає на остаточний результат розрахунку. Окрім того, наближення роботи стінового елемента, змодельованого скінченними елементами

оболонки до роботи стержня вимагає згущення скінченно-елементної сітки і призводить до ускладнення процесу створення розрахункової схеми будівлі.

Тому більш доцільним є інший варіант моделювання стінових елементів, а саме, моделювання стержньовими елементами СЕ10 з урахуванням їх спільної роботи із іншими елементами каркасу за допомогою абсолютно жорстких тіл (рис. 2)

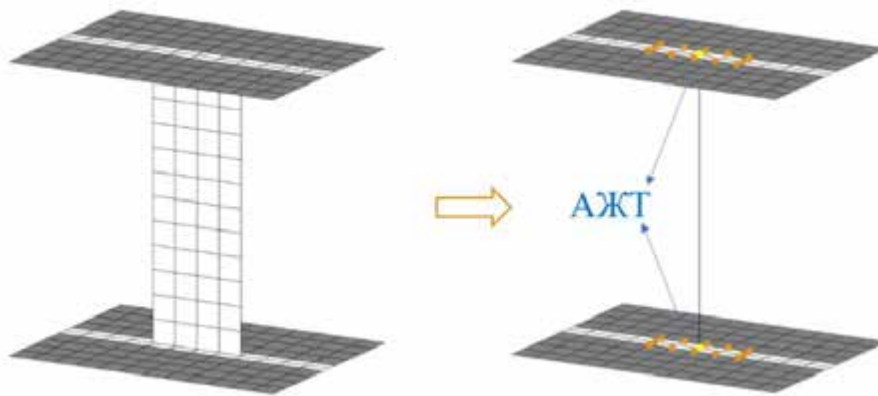


Рис. 2. Фрагмент скінченно-елементної розрахункової схеми – пілон, змодельований за допомогою стержньових елементів і АЖТ

Такі скінченно-елементні моделі скорочують розмірність розв'язуваних задач і забезпечують отримання зусиль ( $M$ ,  $N$ ) для всього перерізу елемента у зручному вигляді для його розрахунку та конструювання.

Для монолітних і панельних будівель у препроцесорі «САПФІР» реалізовано автоматичне моделювання області над віконним або дверним отвором у вигляді стержня (перемички). Переріз стержня обчислюється автоматично і відображається тільки в аналітичній моделі (рис. 3).

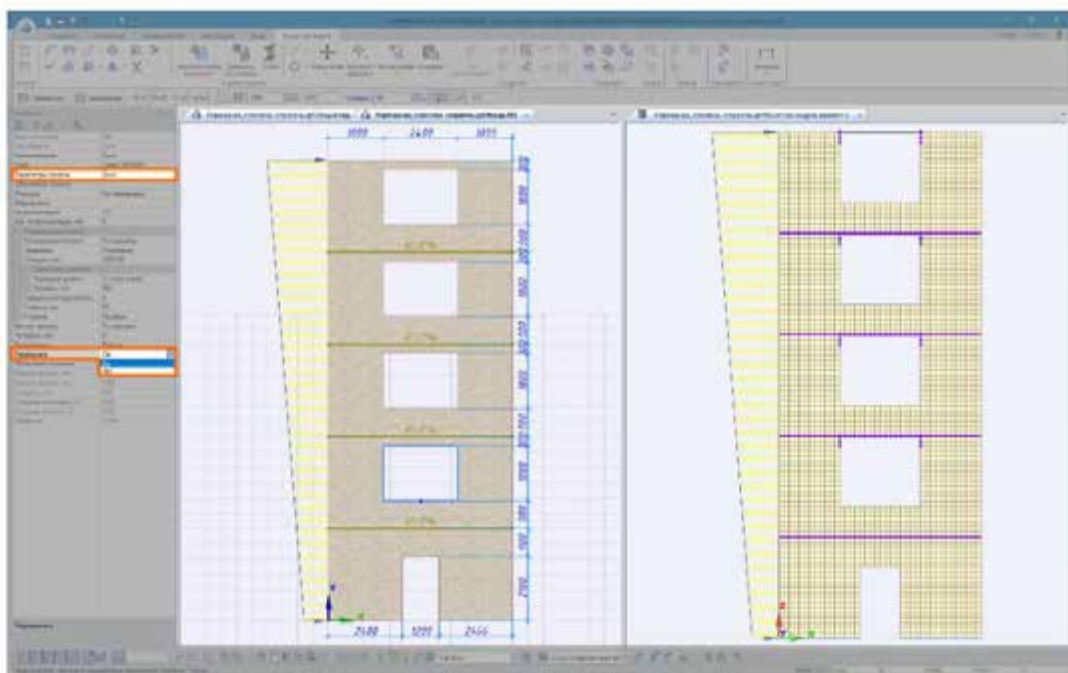


Рис. 3. Задавання перемички над дверними і віконними отворами у препроцесорі «САПФІР»

Також у препроцесорі «САПФІР» реалізовано перетворення одного типу об'єктів в інший тип. Це може бути застосовано для плит, стін, колон, балок. Функцію зручно використовувати перетворення для об'єктів близьких за габаритами. Наприклад, для перетворення короткої стіни в колону-пілон (рис.4), вузької плити у балку, при цьому, габарити об'єктів після перетворення зберігаються.

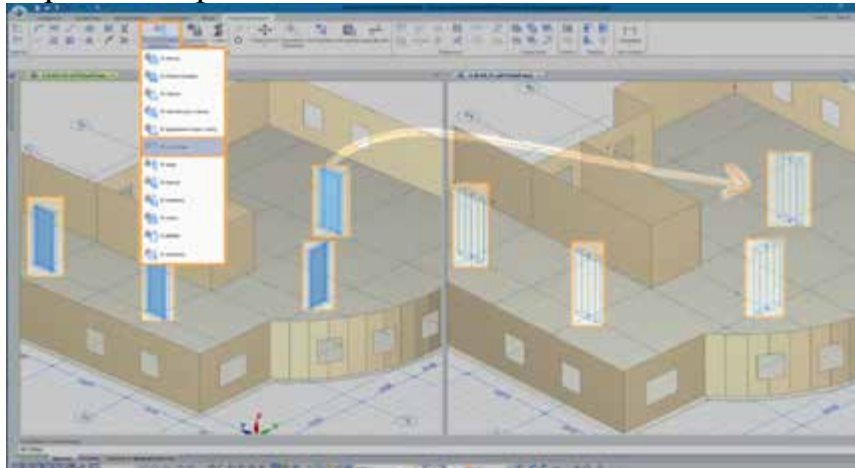


Рис. 4. Перетворення об'єктів (стіни) у колони

### **Висновок**

Моделювання дійсної роботи елементів каркасів будівель чи споруд вимагає від розробників програмного забезпечення розробки нових методів та функцій, які б дозволяли більш точно оцінювати роботу елементів під навантаженням. Прикладом таких елементів є стінові елементи, які рекомендується моделювати стержнями, забезпечуючи їх спільну роботу в загальній конструктивній схемі будинку за допомогою абсолютно жорстких тіл. Препроцесор «САПФІР» у складі ПК «ЛІРА-САПР» має у своєму складі функціональність, яка забезпечує інструментарієм, що дозволяє швидко та зручно змоделювати дійсну роботу таких елементів без суттєвих ускладнень та втрат часу.

УДК 624.012.45.004(075.8)

## **УРАХУВАННЯ СХОДІВ У СКЛАДІ РОЗРАХУНКОВОЇ СХЕМИ ПРИ МОДЕЛЮВАННІ БУДІВЕЛЬ ТА СПОРУД У ПРЕПРОЦЕСОРІ «САПФІР»**

*Богдан О.Р., магістр першого року навчання  
Науковий керівник – Дмитренко Є.А., к.т.н., ст.викл.*

*Національний університет біоресурсів і природокористування України*

Конструкції сходів є суттєвою частиною загальної конструктивної схеми будівлі. У практиці проектування, найчастіше, конструкції сходів не включаються у розрахункову схему будівлі чи споруди і враховується тільки навантаження від них.

У ПК «САПФІР», починаючи із версії 2016 року розроблена деталізована аналітична модель одномаршових, П-подібних та Г-образних сходів, із подальшим їх розрахунком в ПК «ЛІРА-САПР».

Конструкції сходів можуть бути із залізобетону, на косоурах або на тетивах. Залізобетонні сходи моделюються пластинами (рис. 1).

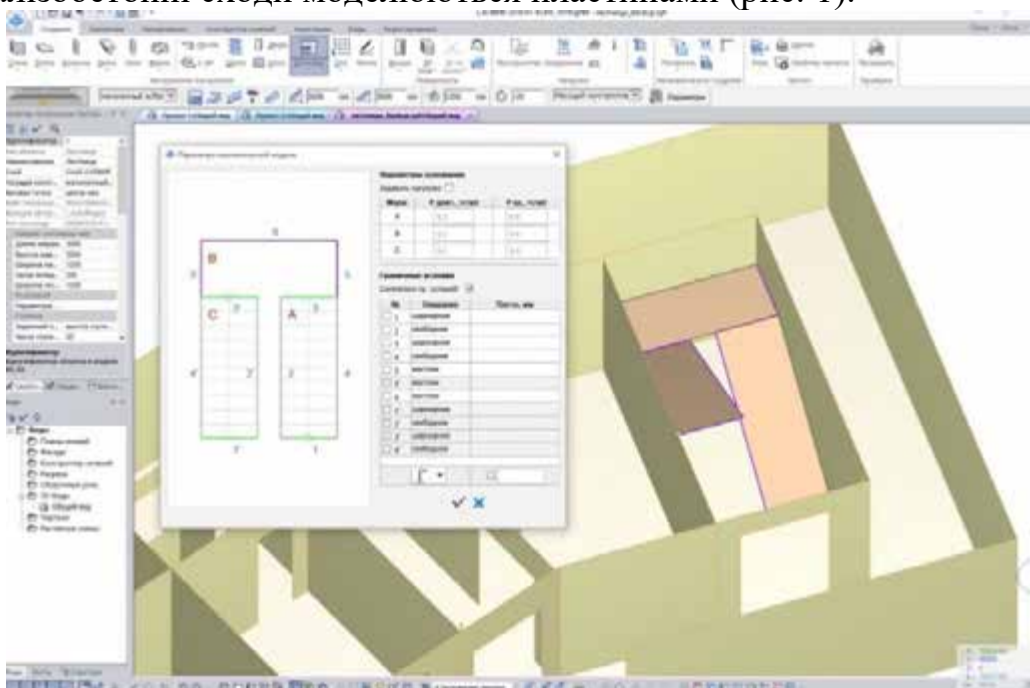


Рис. 1. Аналітична модель П-образних залізобетонних сходів

Сходи на косоурах або на тетивах моделюються стержнями заданого перерізу. Для пластин також можна задавати граничні обпирання: вільне, шарнірне або жорстке.

Додатково на стержні і пластини можна задавати значення тривалого та / або короточасного навантаження.

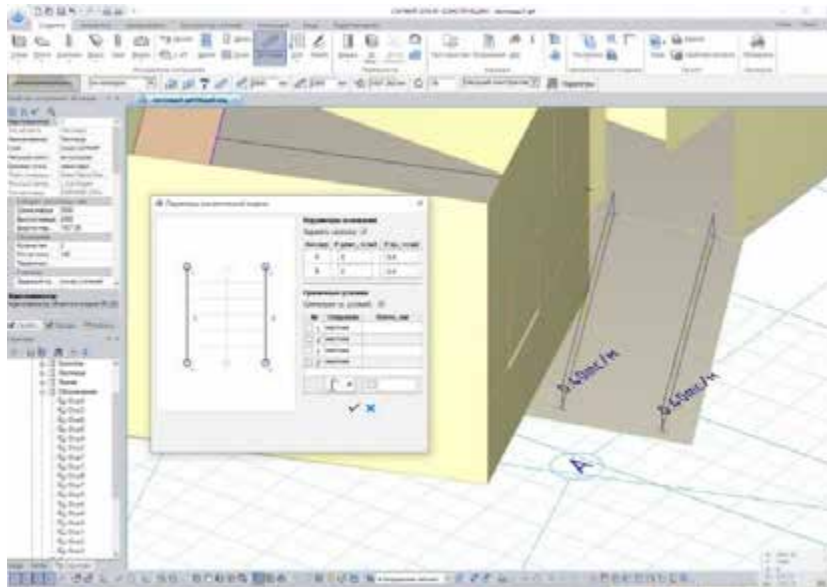


Рис. 2. Аналітична модель одномаршевих сходів на косоурах

Для урахування впливу сходів на роботу елементів каркаса був виконаний порівняльний розрахунок двох плоских рам. У першому випадку, конструкція сходів ігнорувалася, замість неї було прикладене відповідне навантаження у вузли консолі від власної ваги сходів. У другому завантаженні прикладалася корисне навантаження на сходи і загальне навантаження на каркас.

На рис. 3 наведені розрахункові схеми плоских рам (рисунок 3, а) конструкція сходів ігнорується), (рис. 4, б) конструкція сходів включається в розрахункову схему).

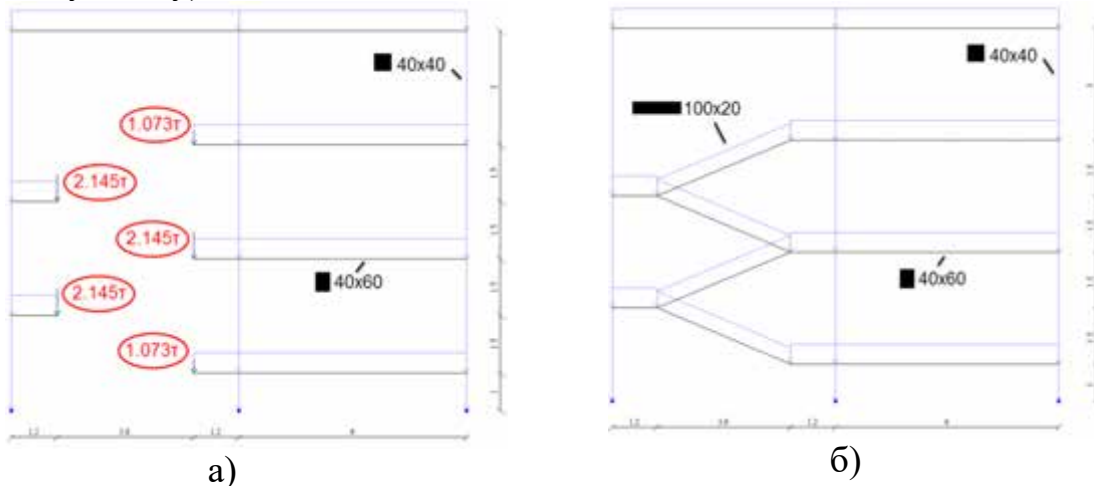


Рис. 3. Схеми плоскої рами: а) без урахування сходів; б) із урахуванням сходів

Результати розрахунку рам представлені на рис. 4,5.



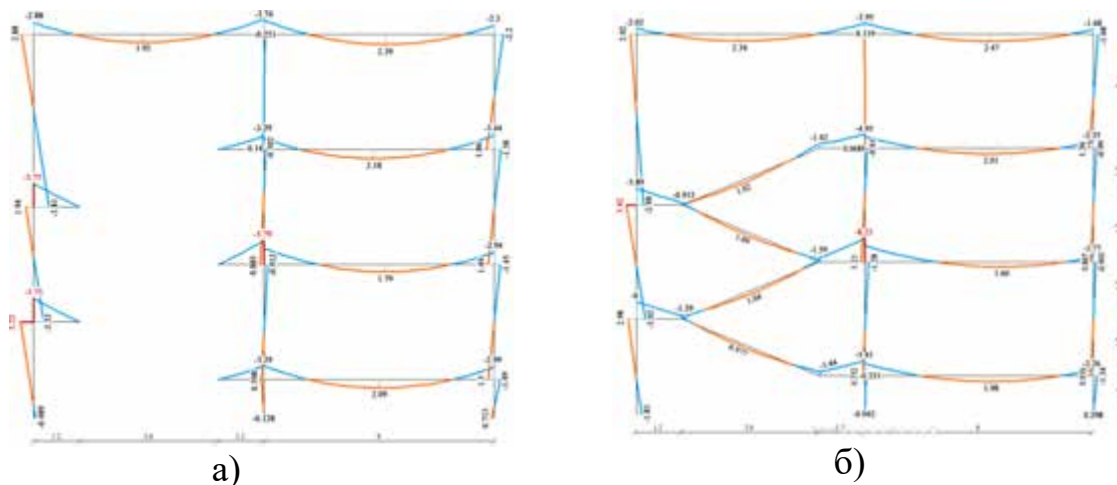


Рис. 4. Епюри згинальних моментів  $M_y$  для рами: а) без урахування сходів; б) із урахуванням сходів

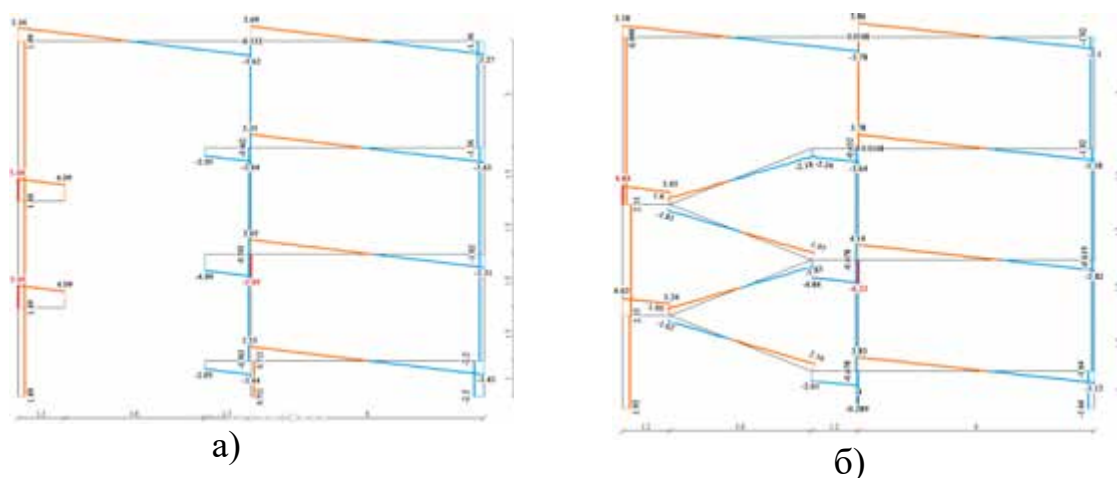


Рис. 5. Епюри поперечних сил  $Q_z$  для рами: а) без урахування сходів; б) із урахуванням сходів

У схемі рами, в якій сходи були включені, істотно змінилася картина НДС колон і ригелів. Зменшилися моменти у другому прольоті, розвантажилися бокові стійки (зменшилися як поздовжні, так і поперечні зусилля) і відбувся їх перерозподіл. На епюрі  $N$  в деяких елементах навіть відбулася зміна знака, з розтягу на стиск.

#### Висновок.

На основі результатів виконаного розрахунку можна зробити висновок, що сходи необхідно включати у розрахункову схему, так як у випадку плоскої рами вони підвищують загальну жорсткість споруди і суттєво впливають на напружено-деформований стан елементів будівлі. Препроцесор «САПФІР» у складі ПК «ЛІРА-САПР» надає широкі можливості для моделювання сходів у складі розрахункових схем будівель та споруд.

УДК 631.6.65(075.8)

*Мазуренко Є.М., студент  
Науковий керівник – Бакуліна В.М., ст. викл.*

*Національний університет біоресурсів і природокористування України*

Азбестоцемент – штучний композиційний кам'яний будівельний матеріал, отриманий у результаті затвердіння суміші, що складається з цементу, азбесту (10-20% від маси цементу) і води.

До основних показників якості азбестоцементних виробів відносяться: висока міцність, вогнестійкість, довговічність, мала водопроникність, теплопровідність і електропровідність.

Початок промислового виробництва азбестоцементних виробів пов'язаний з ім'ям чеського винахідника Людвіга Гачека, який вмістивши в паперновиробну машину масу, що складається з азбесту, цементу і води, вперше одержав новий будівельний матеріал. Зазначена подія відноситься до початку ХХ ст. Сировина для виготовлення азбестоцементних виробів є:

- портландцемент, який в азбестоцементній композиції виконує функції в'язучого. Застосовують портландцемент марок 400 і 500, а також піщанистий портландцемент (якщо твердіння виробу здійснюється в автоклаві), білий і кольоровий цемент (якщо виріб має декоративне призначення).

Залежно від витрати води, використовуваної для приготування азбестоцементної суміші, розрізняють три способи виготовлення азбестоцементних виробів:

- мокрий, при якому виріб формують із суспензії азбестоцементу (8-16%) і води (92-84%);

- напівсухий, при якому виріб одержують з концентрованої маси із вмістом води 20-40%;

- сухий, при якому виріб виготовляють зі зволоженої азбестоцементної суміші з вмістом води 12-16%.

Технологія виготовлення азбестоцементних виробів включає наступні технологічні операції: приготування шихти азбесту, розпушування азбесту, змішування його з цементом і водою, формування виробів, їхнє твердіння, механічна обробка виробів.

Приготування шихти являє собою змішання декількох сортів азбесту (3, 4, 5 і 6 сортів з довжиною волокон від 0,3 до 10 мм) для забезпечення високої щільності і водоутримуючої здатності азбестоцементної маси. Залежно від способу виробництва здійснюється в різних пристроях. При мокрому способі виробництва – у турбозмішувачах, при сухому і напівсухом – спочатку в змішувачі сухих компонентів, потім у бетонозмішувачі циклічної дії.

Розпушування азбесту здійснюється в гідророзпушувачах чи голлендерах при мокрому способі, в дезінтеграторах при всіх способах виробництва. Зазначена технологічна операція необхідна для розщеплення азбесту на окремі волокна. Формування азбестоцементних виробів полягає у відфільтруванні води з азбестоцементної маси до необхідного ущільнення і додання їй заданих

форм і розмірів шляхом пресування чи хвилястості на пресах і безпрокладочних хвильоровщиках.

Твердіння азбестоцементних виробів проводять у дві стадії. Перша стадія (попереднє твердіння) забезпечує подальше внутрішньозаводське транспортування виробів. Її тривалість – 6-8 годин. Виріб набирає міцність у пропарювальних камерах при температурі 50-600С. Друга стадія (остаточне твердіння) виконується у закритих приміщеннях (теплих складах) протягом 7 днів, якщо виріб виконаний на портландцементі, і в автоклавах, якщо для виготовлення застосовувався піщанистий цемент.

Механічна обробка являє собою обрізку крайок листів, обрізку труб по торцях, обточування кінців і т.д. Ці види обробки виконують після остаточного твердіння виробів. Залежно від призначення азбестоцементні вироби поділяють на: покрівельні, стінові, декоративні, погонажні, спеціальні.

Хвилясті покрівельні листи (шифер) (ДСТУ Б В 2.7.-53-96) – основний вид листових азбестоцементних виробів. У загальному обсязі виробництва покрівельних матеріалів складає 50%. Покрівельні листи випускають 6 типорозмірів: довжиною – 1,2...2...2,5 м; шириною 0,69...1...1,15 м; товщиною 5,5...7...7,5 мм. Довговічність шиферної покрівлі – 50 років. Останнім часом випускають листи, пофарбовані атмосферостійкою фарбою, що імітують дрібноштучну черепицю. Азбестоцементні плоскі плити (ДСТУ Б В 2.7-52-96) призначені для виготовлення і облицювання будівельних конструкцій. Випускають розмірами: довжина – 3600, 3000, 2500 мм; ширина – 1500, 1200 мм; товщина – 10, 8, 6 мм. Панелі (плити) азбестоцементні тришарові з обшивками із плоских азбестоцементних листів з утеплювачем із пенопласту (ГОСТ 24581). Застосовують для стін, покриттів і підвісних стель виробничих будівель, які експлуатуються в неагресивних і слабкоагресивних середовищах. Довжина панелей досягає 6000 мм, ширина – до 1500, товщина змінюється від 60 до 200 мм. Екструзійні панелі застосовують для пристрою безгорищних покриттів промислових будинків під рулонну покрівлю. Панелі мають ширину 595 мм, довжину 3000 мм для покриттів, 3000 і 6000 мм для стін і перегородок, висоту – 120 мм для покриттів і стін, 60 та 80 мм для перегородок.

До погонажних азбестоцементних виробів відносять швелери, підвіконні плити, зливи. Азбестоцементні труби – перспективний вид труб самого широкого призначення, що володіє рядом цінних властивостей. Вони не піддаються корозії, як метал, значно легше його і не схильні до обростання. Випускають безнапірні й напірні труби, що відрізняються товщиною і міцнісними показниками. Безнапірні труби (діаметр 100 і 150 мм, довжина – 3...6...6 м) застосовують для ненапірних каналізацій, димоходів, при прокладці кабелів, дренажних колекторів, нафто- і газопроводів. Напірні труби (діаметр 100...100 мм, довжина-1,5...6...6 м) використовують для водо- і газопостачання, вентиляції, колодязів і сміттєпроводів. Такі труби особливо ефективні для прокладки теплотрас. Вартість і якість цих виробів ще довго будуть приваблювати забудовників.

## CARBON TOOL STEELS (Вуглецеві інструментальні сталі)

*Осадчий Є.О., студент  
Науковий керівник – Афтандіяну Є. Г., д.т.н., проф.*

*Національний університет біоресурсів і природокористування України*

Tool steel is a term used for a variety of high-hardness, abrasion resistant steels. Specific tool applications are dies (stamping or extrusion), cutting, mold making, or impact applications like hammers (personal or industrial). It is also a common material used to make knives. Tool Steels are extremely hard and are quite often used to form other metal products. Tool Steel is available in a wide variety of shapes including round bar, flat bar, square bar and more (fig. 1).



Fig. 1. Tool steels of variety shapes

*Tool carbon steel*-steel with a carbon content of 0.7% or more. This steel is characterized by high hardness and strength (after final heat treatment) and is used for the manufacture of tools. Produced according to GOST 1435-99 in the following grades: U7; U8; U8G; U9; U10; U11; U12; U7A; U8A; U8GA; U9A; U10A; Y11A; U12A. The standard applies to carbon tool steel hot-rolled, forged, calibrated steel, Serebrianka.

### *Kinds of Carbon tool steel and their designation*

Tool carbon steel is divided into high quality and high quality. The content of sulfur and phosphorus in quality tool steel — 0.03% and 0.035 %, and in high-quality-0.02% and 0.03%, respectively. To the group of high-quality steels are steel grades without the letter A (at the end of the marking), the group of high-quality steel with low sulfur and phosphorus and harmful impurities of other elements of the brand began with the letter A. The letters and figures in the designation of these grades of steel mean: Y — carbon, the following figure — the average carbon content in tenths of a percent, Y — high manganese content, and — high quality.

- For example, Y7 steel contains : C=0.65-0.73%; Mn=0.17-0.28%; Si=0.17-0.33%; S<0.028%;P<0.030%.
- Steel Y7A contains : S<0.018%, P<0.025% and there is no harmful impurities such as C, Mn, Si.

*Mainly, carbon tool steel is used for manufacture (fig. 2):*

Y7 and Y8 - from these metals usually make: impact benches, bench tools chisels, punches, anvils, planes and also tools for wood working.

Steels Y9 and Y10-chisels, drills for wood, dies, taps.

Steels Y12 and Y13-cutting blades, engraving tools, files, scissors.



Fig. 2. Application of carbon tool steels:  
a- anvils; b- chisels; c- vice; d- file.

УДК 669.14.018.25:620.18:539.374

## CLASSIFICATION AND MARKING USA STEELS (Класифікація та маркування сталей USA)

*Киця В.О., студентка  
Науковий керівник – Афтанділянц Є.Г., д.т.н., проф.*

*Національний університет біоресурсів і природокористування України*

Steels are classified on different grounds:

- ✓ chemical composition:

- carbon;
- alloyed (depending on what elements are included in their composition);
- ✓ quality (the quality of steel depends on the metallurgical production process; quality is determined by the content of oxygen, hydrogen, nitrogen and harmful impurities of sulfur and phosphorus in the steel);
- ✓ method of deoxidation;
- ✓ appointment.

*Steel marking systems in the United States.*

The United States uses several metal and alloy designation systems associated with existing standardization organizations. The most prominent organizations are:

- ✓ Society of Automotive Engineers – SAE;
- ✓ American Institute of Iron and Steel – AISI;
- ✓ Specifications space materials – AMS;
- ✓ Association of American Railways – AAR;
- ✓ American Bureau of Shipbuilding – ABS;
- ✓ The American Petroleum Institute – API;
- ✓ American of Railways Engineers Association – AREA;
- ✓ American Society of Mechanical Engineers – ASME;
- ✓ American Society of Testing and Materials – ASTM.

Designation systems used by an organization derive from their historical development as well as the development of related industries.

*AISI Designation System*

In the AISI designation system, carbon and alloy steels are generally denoted with four digits. The first two digits represent the steel group number (see Table 1) and the last two represent the average carbon content of the steel multiplied by 100.

Table 1. Designations of carbon and alloy steels in the AISI system

Steel group	
Carbon steel	
10XX	Non-sulfonated steels, Mn: less than 1%
11XX	Resulfinated steels
12XX	Refosphorized and Resulfinated Steels
15XX	Unresulfinated steels, Mn: more than 1%
Alloy steels	
13XX	Mn: 1.75%
40XX	Mo: 0.2, 0.25% or Mo: 0.25% and S: 0.042%
41XX	Cr: 0.5, 0.8 or 0.95% and Mo: 0.12, 0.20 or 0.30%
43XX	Ni: 1.83%, Cr: 0.50 - 0.80%, Mo: 0.25%
46XX	Ni: 0.85 or 1.83% and Mo: 0.2 or 0.25%
47XX	Ni: 1.05%, Cr: 0.45% and Mo: 0.2 or 0.35%
48XX	Ni: 3.5% and Mo: 0.25%
51XX	Cr: 0.8, 0.88, 0.93, 0.95 or 1.0%
51XXX	Cr: 1.03%



52XXX	Cr: 1.45%	
61XX	Cr: 0.6 or 0.95% and V: 0.13% min or 0.15% min	
86XX	Ni: 0.55%, Cr	0.50% Mo
87XX	Ni: 0.55%, Cr	0.50% Mo
88XX	Ni: 0.55%, Cr	0.50% Mo
92XX	Si: 2.0% or Si: 1.40% and Cr: 0.70%	
50BXX	Cr: 0.28 or 0.50%	
51BXX	Cr: 0.80%	
81BXX	Ni: 0.30%, Cr: 0.45% Mo	
94BXX	Ni: 0.45%, Cr: 0.40% Mo	

Thus, steel 1045 belongs to the group of 10XX quality structural steels (unsulfined with Mn content of less than 1%) and contains carbon of about 0.45%.

Steel 4032 is alloyed (group 40XX), with average content of C 0.32% and Mo 0.2 or 0.25% (actual content of C in steel 4032 - 0.30 - 0.35%, Mo - 0.2 - 0.3%).

Steel 8625 is also alloyed (group 86XX) with average content: C 0.25% (real values 0.23 - 0.28%), Ni 0.55% (0.40 - 0.70%), Cr 0.50% (0.4 - 0.6%), Mo 0.20% (0.15 - 0.25%).

In addition to four digits, letters may also appear in steel names. The letters B and L, meaning that steel is alloyed with boron (0.0005 - 0.03%) or lead (0.15 - 0.35%) respectively, are placed between the second and third numerals of its designation, for example, 51B60 or 15L48. The letters M and E are placed ahead of the name of the steel, which means that the steel is intended for the production of non-essential grade (letter M) or is melted in an electric furnace (letter E). Finally, the letter H may be present at the end of the steel name, meaning that hardenability is a characteristic feature of the steel.

#### *Stainless steel.*

AISI standard stainless steel designations include three numbers and, in some cases, one, two or more letters following them. The first digit of the designation determines the class of steel. So the designations of austenitic stainless steels begin with the numbers 2XX and ZXX, while ferritic and martensitic steels are defined in the 4XX class. In this case, the last two digits, unlike carbon and alloy steels, are not connected in any way with the chemical composition, but simply determine the serial number of steel in the group. Assignment of letters following numbers see table 2.

#### *Examples.*

AISI 304 steel belongs to the austenitic class, its carbon content is <0.08%. At the same time, carbon content in AISI 304 L steel is only <0.03%, while carbon in steel 304 H is determined by the interval 0.04 - 0.10%. The specified steel, in addition, can be alloyed with nitrogen (then its name will be 304 N) or copper (304 Cu). In AISI 410 steel, belonging to the martensite - ferrite class, the carbon content is <0.15%, and in 410 S steel, the carbon content is <0.08%.

In AISI 430 F steel, unlike AISI 430 steel, there is a high content of sulfur and phosphorus, and selenium is also added to 430 F Se steel.

Table 2. Additional letters and numbers used to designate AISI and UNS stainless steels

Symbol AISI	Symbol UNS	Description
xxxL	xxx01	Low carbon content <0.03%
xxxS	xxx08	Normal carbon content <0.08%
xxxN	xxx51	Nitrogen added
xxxLN	xxx53	Low carbon content <0.03% + nitrogen added
xxxF	xxx20	High sulfur and phosphorus
xxxSe	xxx23	Added selenium
xxxB	xxx15	Silicon added
xxxH	xxx09	Extended carbon range
xxxCu	xxx30	Copper added

### *ASTM Notation System*

The designation of steels in the ASTM system includes:

- ✓ the letter A, which means that it is a black metal;
- ✓ serial number of the ASTM normative document (standard);
- ✓ the actual steel grade designation.

Usually, ASTM standards adopt the American system of notation of physical quantities. In the same case, if the standard provides a metric notation, the letter M is placed after its number.

ASTM standards, as a rule, determine not only the chemical composition of steel, but also a complete list of requirements for metal products. To designate the proper steel grades and determine their chemical composition, both ASTM's own designation system can be used (in this case, the chemical composition of the steels and their marking is determined directly in the standard), as well as other designation systems, for example AISI, for rods, wire, billets and etc., or ACI - for castings from stainless steels.

### *Examples*

#### *A516 / A516M-90 Grade 70*

Here A determines that we are talking about ferrous metal; 516 is the serial number of the ASTM standard (516M is the same standard, but in the metric notation); 90th year of publication of the standard; Grade 70 is a steel grade. In this case, ASTM's own steel designation system is used, here 70 determines the minimum tensile strength of steel in tensile tests (in ksi, which is about 485 MPa).

#### *A 276 Tour 304 L*

In this standard, the steel grade designation in the AISI system is 304 L. A 351 Grade CF8M

The ACI notation system is used here: the first letter C means that steel belongs to the group of corrosion-resistant, 8 - determines the average carbon content in it (0.08%), M - means that molybdenum is added to the steel.

#### *A 335 / A 335M grade P22; A 213 / A 213M grade T22; A 336 / A 336M class F22*

These examples use ASTM's own steel marking. The first letters mean that steel is intended for the production of pipes (P or T) or forgings (F).

#### *A269 grade TP304*

It uses a combined notation. The letters TP indicate that steel is intended for the production of pipes, 304 is the designation of steel in the AISI system.

*Universal UNS notation*

UNS is a universal designation system for metals and alloys. It was created in 1975 with the goal of unifying the various notation systems used in the USA. According to UNS, steel designations consist of a letter defining a group of steels (see table 3) and five digits.

In the UNS system, it is easiest to classify AISI steels. For structural and alloy steels included in group G, the first four digits of the name are the designation of steel in the AISI system, the last digit replaces the letters that appear in the designations according to AISI. So the letters B and L, meaning that the steel is alloyed with boron or lead, correspond to the numbers 1 and 4, and the letter E, meaning that the steel is smelted in an electric furnace, is the number 6.

The names of stainless AISI steels begin with the letter S and include the designation of steel according to AISI (first three digits) and two additional digits corresponding to the additional letters in the designation according to AISI (see table 3).

Table 3. Steel designations in the UNS system

Symbol	Steel group
Dxxxxx	Steel with prescribed mechanical properties
Gxxxxx	AISI carbon and alloy steels (excluding tool steels)
Hxxxxx	Same for hardened steels
Jxxxxx	Foundry steels
Kxxxxx	Steels not included in the AISI system
Sxxxxx	Heat Resistant and Corrosion Resistant Stainless Steel
Txxxxx	Tool steels
Wxxxxx	Welding materials

*Examples*

Carbon steel 1045 is designated in the UNS G 10450 system, and alloy steel 4032 - G 40320.

Steel 51B60 alloyed with boron is called in the UNS G 51601 system, and lead alloy steel 15L48 - G 15484.

Stainless steels are designated:

- ✓ 304 - S 30400,
- ✓ 304 L - S 30401,
- ✓ 304 N - S 30409,
- ✓ 304 Cu - S 30430.

УДК 669.14.018.25:620.18:539.374

**ELECTROCONTACT WELDING**  
(Електроконтактне зварювання)

Аманквa Б., студент  
Науковий керівник – Афтандіяниц Є. Г., д.т.н., проф.

Національний університет біоресурсів і природокористування України

*Defintion of welding:*

*Welding* is a fabrication or sculptural process that joins materials, usually metals or thermoplastics, by using high heat to melt the parts together and allowing them to cool causing fusion. Welding is distinct from lower temperature metal-joining techniques such as brazing and soldering, which do not melt the base metal.

The main purpose of using the magnetic field in the welding zone is to increase and retain the ferromagnetic powder at the time of its welding to the surface of the part. Here it is necessary to create high magnetic flux intensity in the welding zone. A diagram of the formation of a powder layer on the surface of a part using a magnetic field is considered

*Methods of electrocontact*

- *Using roller electrodes*

On the surface to be restored, a steel reinforcing fabric mesh is placed, the part is driven into rotation with simultaneous transmission of welding current pulses, which is sufficient for heating of its surface by electrical contact method to ductile state of alloy. The steel woven mesh is pressed flush against the surface of the part to be restored by constantly moving the roller electrode along the axis of the part. A woven mesh is used whose cell size does not exceed the width of the roller electrode and ensures the extrusion of part material heated to the plastic state through the cells. The diameter of the mesh wire is selected depending on the required value of the increment of the size of the part to be restored in the process of reinforcement (fig. 1).

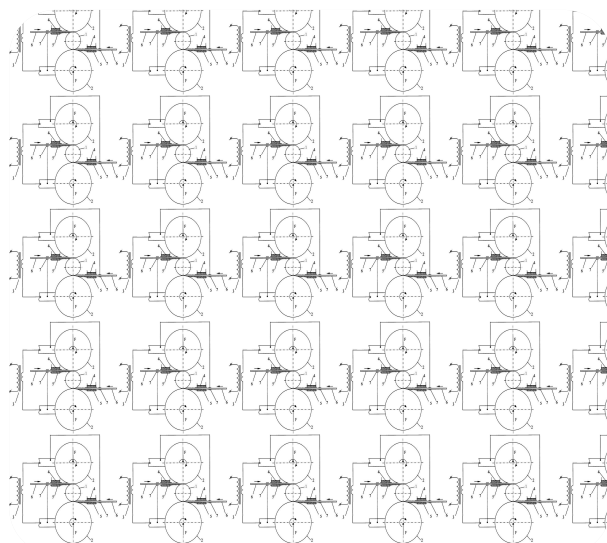


Fig. 1. Electrocontact welding with using roller electrodes

*Electrode holder for resistance spot welding*

Tube for the cooling medium supply is installed in the dead-end longitudinal cavity of the electrode holder rod. In the bolt head to fasten the roller electrode, there is the longitudinal cavity opened into the atmosphere, passing into the bolt cavity, filled with the porous material. The bolt is threaded from the shank end in its dead-end cavity, the part of which at the bottom is filled with the porous material. The dead-end longitudinal cavity of the rod is connected by the transverse window to the mentioned shank cavity, filled with the porous material. According to another embodiment of the electrode holder, the bolt is made with the longitudinal grooves, formed on its side surface, and the bolt head has opened into the atmosphere dead-end longitudinal cavity, connected by the transverse windows to the mentioned longitudinal grooves of the bolt. The dead-end longitudinal cavity of the rod is connected by the transverse window to the mentioned shank cavity, filled with the porous material.

It is known that in order to restore small and medium-sized parts with a small amount of wear, electrocontact welding of powder materials and their mixtures is a universal method. The most obvious advantages of this method are higher productivity of the process (60 cm<sup>2</sup>/min), insignificant depth of the heat-affected zone, no deformation of the part during the process and after restoration of the parts, the possibility of combining the hardening of the surface of the applied layer with the welding process, minimal loss of metal powder (3...4 times compared with arc recovery methods), the ability to control the thickness of the applied layer and high environmental friendliness of the welding process.

УДК 669.14.018.25:620.18:539.374

## **ELECTROSLAG WELDING** (Електрошлакове зварювання)

*Бочков М., студент*

*Науковий керівник – Афтандіянц Є.Г., д.т.н., проф.*

*Національний університет біоресурсів і природокористування України*

Electroslag welding - fusion welding, in which the main part of the energy spent on heating and melting the metal is provided by the heat released in the closed volume of molten slag - the slag bath when current passes through it (fig. 1).



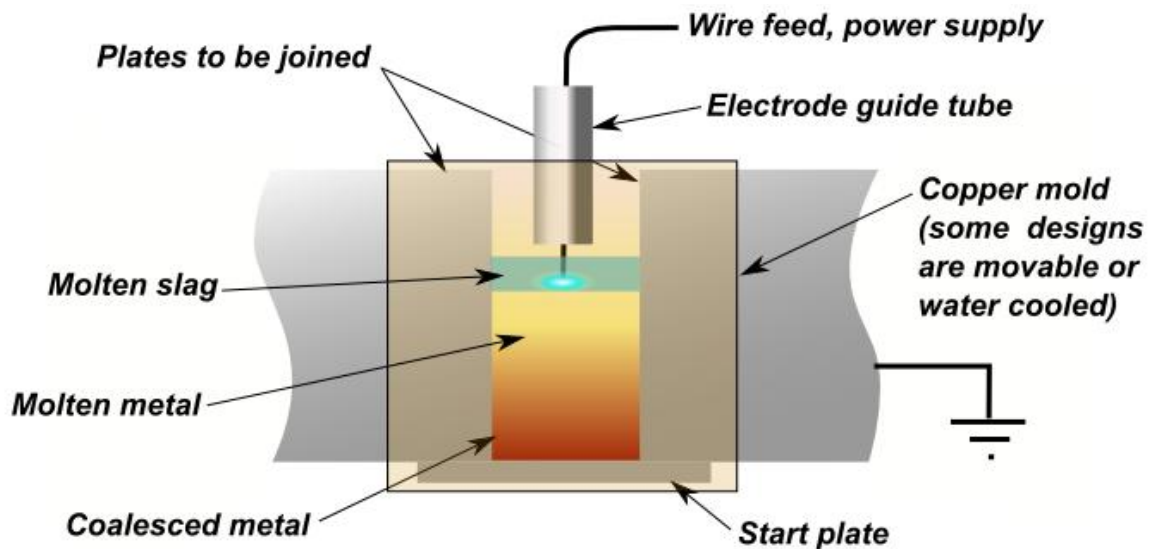


Fig. 1. Scheme of the process of electroslag welding

### *Varieties of electroslag welding*

The main varieties of electroslag welding are:

- multi-electrode electroslag welding,
- electroslag welding with plate electrodes,
- electroslag welding with a consumable mouthpiece

### *Multi-electrode electroslag welding*

The maximum thickness of metal welded with a single wire is usually limited to 60 mm. For large thicknesses it is advisable to use several wires - usually a multiple of three - to the number of phases of the power source.

### *Electroslag welding with plate electrodes*

The electroslag process stably proceeds at current densities an order of magnitude lower than the arc one, about 0.1 A / mm<sup>2</sup>. Therefore, the cross section of the electrode can be increased and the wire is replaced by a plate electrode, which allows to increase the productivity of the welding process

### *Electroslag welding with a consumable mouthpiece*

With a complex configuration of the product, it is possible to weld with a consumable mouthpiece, which is a plate electrode that repeats the shape of the welded edges. Since there is a gap between the melting mouthpiece and the workpiece, an additional wire is fed through the mouthpiece to fill it in the weld pool

Electroslag welding is technically possible with a metal thickness of more than 16 mm and, as a rule, cost-effective when welding metal with a thickness of more than 25 mm. This type of welding allows only vertical seams to be made. The use of electroslag welding makes fundamental changes in the technology for the production of large-sized products: it becomes possible to replace large cast or forged parts with welded-cast or welded-forged from smaller parts.

### *Advantages of electroslag welding*

Advantages:

the possibility of welding in one pass of parts of almost any thickness;

the vertical position of the metal bath, the elevated temperature of its upper part and the significant time spent by the metal in the molten state contribute to the removal of gases and non-metallic inclusions from the weld metal;

low flux consumption, usually not more than 5% by weight of the deposited metal.

#### *Disadvantages of electroslag welding*

Disadvantages:

significant overheating of the metal of the heat-affected zone, which leads to a decrease in plastic properties, therefore, as a rule, subsequent high-temperature processing is required to obtain the required mechanical properties of the welded joint;

this type of welding allows only vertical seams to be made.

#### *Areas of use*

Electroslag welding is used in the manufacture of massive beds, shafts of powerful turbines, thick-walled boilers and drums, for welding steels, aluminum and titanium alloys. Its application introduces fundamental changes in the technology for the production of large-sized products. It becomes possible to replace large cast or forged parts with welded-cast or welded-forged from smaller forgings or castings.

УДК 669.14.018.25:620.18:539.374

## **ARC WELDING IN SHIELDING GASES**

(Дугове зварювання в захисних газах)

*Власюк Я., студентка*

*Науковий керівник – Афтанділянц Є. Г., д.т.н., проф.*

*Національний університет біоресурсів і природокористування України*

#### *The essence of the method of welding in protective gases*

The essence of the method of welding in protective gases is that in order to protect the molten metal from the harmful effects of oxygen and air nitrogen in the zone of the arc, which burns between the welded product and the fusible or non-fusible electrode, through the nozzle of the burner continuously flows a stream of shielding gas from the place welding. In some cases, welding occurs in sealed chambers filled with shielding (inert) gas.

As the gases used are monatomic or inert gases (argon and helium) that do not interact with the molten metal, and active gases (carbon dioxide, hydrogen, nitrogen, water vapor, and mixtures thereof - argon with oxygen, argon with nitrogen or carbon dioxide, carbon dioxide with oxygen, etc.) that partially interact with the molten metal.

Inert gases are used for welding of reactive metals, as well as when it is necessary to get welds homogeneous with the composition of the base and the filler metals (fig. 1).

Active gases are used when the specified properties of the metal can be achieved by metallurgical treatment, such as reduction, oxidation

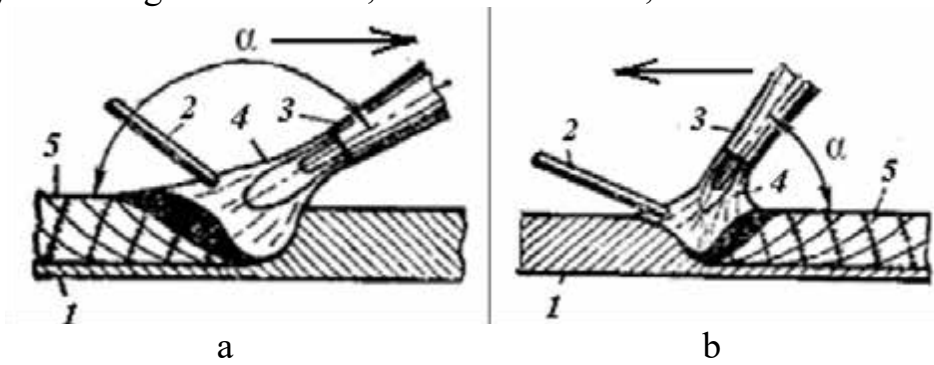


Fig. 1. Welding methods: a) right, b) left

### *Argon arc welding.*

For this type of welding use argon, which is extracted from the air, where it contains about 1% by volume. Argon is transported and stored in cylinders with a capacity of 40 l at a pressure of 15 MPa.

Argon arc welding is performed by non-fusible (preferably tungsten) and fusible electrodes. Non-floating electrodes are only intended to excite and maintain the arc burning; to fill the place of opening between the edges of the welded products in the welding zone is fed additive metal in the form of bars or wire. In chemical composition they are close to the parent metal (fig. 2).

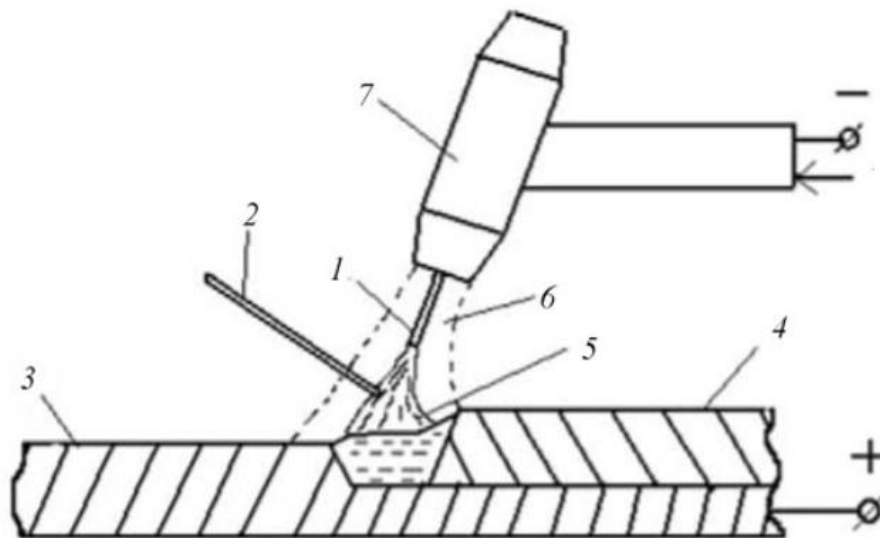


Fig. 2. Inert gas arc welding process: 1 – electrode, 2 filler wire, 3-item, 4-weld, 5-arc, 6-stream shielding gas, 7-burner

### *Non-melting electrode welding*

Non-melting electrode welding is carried out in direct and alternating current by manual, semi-automatic and automatic methods. Corrosion-resistant and heat-resistant steels, copper and its alloys, nickel and its alloys, titanium, zirconium, molybdenum and some other metals with a thickness of 0.1 ... 6.0 mm are welded by direct current on direct polarity.

Welding generators or welding rectifiers with a sloping external characteristic are used as DC sources.

Alternatively, aluminum, magnesium and their alloys are welded. However, in those half-periods when the cathode is a product, its surface is bombarded with heavy positive argon ions and the so-called cathode spray of refractory aluminum or magnesium oxide films occurs. Therefore, there is no need to apply fluxes to remove them.

#### *Welding electrode welding*

Welding of the fusible electrode is carried out only by automatic and semi-automatic methods. It is used for welding aluminum, magnesium and their alloys, as well as corrosion-resistant steels. Welding is carried out on a direct current at reverse polarity, which is obtained from sources with rigid or growing external characteristics.

In the case of semi-automatic welding, special hose semi-automatic machines are used, in which the feed of the welding wire into the welding zone is carried out not through the hose, but through the holder. For this purpose, the holder itself has extension rollers that allow the use of soft small diameter wires ranging from 0.8 mm.

Argon-arc welding is used in some cases in admixture with active gases. This improves the stability of the arc combustion, increases the depth of penetration, improves the formation of joints, reduces splashing, improves the transfer of metal in the arc, increases the welding performance.

Thus, the addition of 1 ... 5% oxygen to argon, which is used for welding low carbon and alloy steel, contributes to the conversion of dripping metal in the arc into jet. This allows for more dense seams and increased welding performance. The method of fusion electrode welding provides high welding speeds (200 ... 300 m / h).

#### *Welding in carbon dioxide*

Welding in carbon dioxide is characterized by high productivity and low cost, resulting in this method is increasingly common for welding low carbon, low alloy and some high alloy steels. Carbon dioxide for welding is extracted from flue gases from chemical industries. It is delivered in a liquefied state in steel cylinders with a capacity of 40 l, in which a pressure of 7.5 MPa contains 25 l of liquid carbon dioxide. Evaporation produces 12 750 liters of carbon dioxide.

Carbon dioxide at high arc temperature is partially dissociated into carbon monoxide and atomic oxygen, which promotes oxidation of the metal. To neutralize the oxidizing effect of carbon dioxide when welding carbon and low-alloy steels use welding wire with high content of manganese and silicon (Sv-08GSA, Sv-08G2SA).

Welding in carbon dioxide is carried out by a melting electrode, preferably in a semi-automatic manner. Feed the welding arc from a direct current source with a rigid or growing external characteristic at reverse polarity.

#### *Conclusion.*

The essence and distinguishing feature of arc welding in shielding gases is the protection of the molten and heated to high temperature of the base and electrode metal from the harmful effects of air with protective gases, which provide physical isolation of the metal and welding zone from the air and a given atmosphere in the welding zone.

The advantages of welding in shielding gases are:

- High performance
- Easy mechanization and automation;
- The possibility of welding in different spatial positions;
- High quality of protection, no need to apply stitching for multilayer welding.

УДК 669.14.018.25:620.18:539.374

## ULTRASONIC WELDING (Зварювання ультразвуком)

*Гонтар О., студент*

*Науковий керівник – Афтандіяню Є. Г., д.т.н., проф.*

*Національний університет біоресурсів і природокористування України*

Ultrasonic welding is similar to friction welding. The permanent connection is formed by joint action on the welded parts of mechanical vibrations of high (ultrasonic) frequency and relatively small compressive forces.

Ultrasonic welding is used for ultrasonic welding.

Mechanical vibrations and small compression forces. Fluctuation created by the magnetostrictive effect, which is the ability of metals and their alloys to convert electromagnetic vibrations of the ultrasonic frequency (15 ... 100 kHz) into mechanical vibrations of the same frequency (fig. 1). Nickel alloys with iron (permeal), cobalt with iron (permendure) and others have a magnetostrictive effect. They are made of magnetostrictive converters.



Fig. 1. Ultrasonic welding installation

High-frequency mechanical oscillations and static forces compression causes the destruction of the oxide films at the point of contact of the two products and large plastic deformation. As a result, a strong connection is achieved between the welding surfaces. The process is accompanied by an increase in temperature at the junction. Depending on the metal being welded, the heating temperature is 200 ... 1200 ° C.

Ultrasound welds non-metallic materials, for example chlorvinyl, polyethylene, capron, nylon, organic glass. Ultrasound welding is performed spotwise and spotwise suture joints of metals and their alloys with a thickness of 0.01 ... 1 mm.

Copper, aluminum, titanium, zirconium, tantalum, nickel and their alloys are good are welded by ultrasound. Low carbon, heat and tool steels and magnesium alloys are worse welded ultrasound.

*The advantages of ultrasonic welding are:*

- insignificant thermal impact on the welded parts, which ensures minimal change of their structure;
- the use of small compressive forces (0.12.5 kN) leads to small dents (510%);
- solid state welding without significant heating makes it possible to weld chemically active materials;
- possibility of welding very fine details; - low power of welding equipment and simplicity of design.

*The disadvantages of ultrasonic welding are:*

- limiting the thickness of the welded parts;
- the impact of high frequency on the human body;
- high cost high frequency generators.

This method of welding is used in instrumentation, radio electronics for coupling metal pairs: chromel - aluminum (350 ° C), copper - constantan (450 ° C), aluminum (200300 ° C), copper (600 ° C), as well as thermoplastics , plastic films, glass thickness 0,050,5 mm.

УДК 669.14.018.25:620.18:539.374

## **ELECTRON-BEAM WELDING** (Електронно-променеве зварювання)

*Нзвєфанг Н., студент*

*Науковий керівник - Афтанділянц Є. Г., д.т.н., проф.*

*Національний університет біоресурсів і природокористування України*

*Electron-beam welding (EBW)* is a fusion welding process in which a beam of high-velocity electrons is applied to two materials to be joined. The workpieces melt and flow together as the kinetic energy of the electrons is transformed into heat upon impact. EBW is often performed under vacuum conditions to prevent dissipation of the electron beam.





Fig. 1. Electron-beam welding installation

Electron-beam welding was developed by the German physicist Karl-Heinz Steigerwald in 1949, who was at the time working on various electron-beam applications. Steigerwald conceived and developed the first practical electron-beam welding machine, which began operation in 1958. American inventor James T. Russel has also been credited with designing and building the first electron-beam welder.

Electrons are elementary particles possessing a mass  $m = 9.1 \cdot 10^{-31}$  kg and a negative electrical charge  $e = 1.6 \cdot 10^{-19}$  C. They exist either bound to an atomic nucleus, as conduction electrons in the atomic lattice of metals, or as free electrons in vacuum.

Free electrons in vacuum can be accelerated, with their paths controlled by electric and magnetic fields. In this way narrow beams of electrons carrying high kinetic energy can be formed, which upon collision with atoms in solids transform their kinetic energy into heat.



Fig. 2. Physics of electron-beam heating

*Electron-beam welding provides excellent welding conditions because it involves*

- Strong electric fields, which can accelerate electrons to a very high speed.
- Using magnetic lenses, by which the beam can be shaped into a narrow cone and focused to a very small diameter.
- Shallow penetration depths in the order of hundredths of a millimeter.

#### *Beam formation*

Conduction electrons (those not bound to the nucleus of atoms) move in a crystal lattice of metals with velocities distributed according to Gauss's law and depending on temperature. They cannot leave the metal unless their kinetic energy (in eV) is higher than the potential barrier at the metal surface. The number of electrons fulfilling this condition increases exponentially with increasing temperature of the metal, following Richardson's rule

*Condition for material use in electron beam* to achieve high power density in the beam, the emission current density [ $A/mm^2$ ], hence the working temperature, should be as high as possible, to keep evaporation in vacuum low, the material must have a low enough vapour pressure at the working temperature.

The emitter must be mechanically stable, not chemically sensitive to gases present in the vacuum atmosphere (like oxygen and water vapour), easily available, etc.

#### *Acceleration of electrons, current control*

Electrons emitted from the cathode possess very low energy, only a few eV. To give them the required high speed, they are accelerated by a strong electric field applied between the emitter and another, positively charged, electrode, namely the anode.

#### *Focusing*

After leaving the anode, the divergent electron beam does not have a power density sufficient for welding metals and has to be focused. This can be accomplished by a magnetic field produced by electric current in a cylindrical coil.

#### *Beam deflection system*

As mentioned above, the beam spot should be very precisely positioned with respect to the joint to be welded. This is commonly accomplished mechanically by moving the workpiece with respect to the electron gun, but sometimes it is preferable to deflect the beam instead.

#### *Penetration of electron beam during welding*

To explain the capability of the electron beam to produce deep and narrow welds, the process of "penetration" must be explained. First of all, the process for a "single" electron can be considered.

#### *Penetration of electrons*

When electrons from the beam impact the surface of a solid, some of them may be reflected (as "backscattered" electrons), while others penetrate the surface, where they collide with the particles of the solid.

#### *Penetration of the electron beam*

The heat contribution of single electrons is very small, but the electrons can be accelerated by very high voltages, and by increasing their number (the beam current)

the power of the beam can be increased to any desired value. By focusing the beam onto a small diameter on the surface of a solid object, values of planar power density as high as  $10^4$  up to  $10^7$  W/mm<sup>2</sup> can be reached

*The welding process*

*Weldability:* For welding thin-walled parts, appropriate welding aids are generally needed. Their construction must provide perfect contact of the parts and prevent their movement during welding. Usually they have to be designed individually for a given workpiece.

*Joining dissimilar materials:* It is often not possible to join two metal components by welding, i.e. to melt part of both in the vicinity of the joint, if the two materials have very different properties from their alloy, due to the creation of brittle, inter-metallic compounds. This situation cannot be changed, even by electron-beam heating in vacuum, but this nevertheless makes it possible to realize joints meeting high demands for mechanical compactness and that are perfectly vacuum-tight.

*Possible problems and limitations:* The material melted by the beam shrinks during cooling after solidification, which may have unwanted consequences like cracking

*Electron-beam welding equipment (fig. 3)*

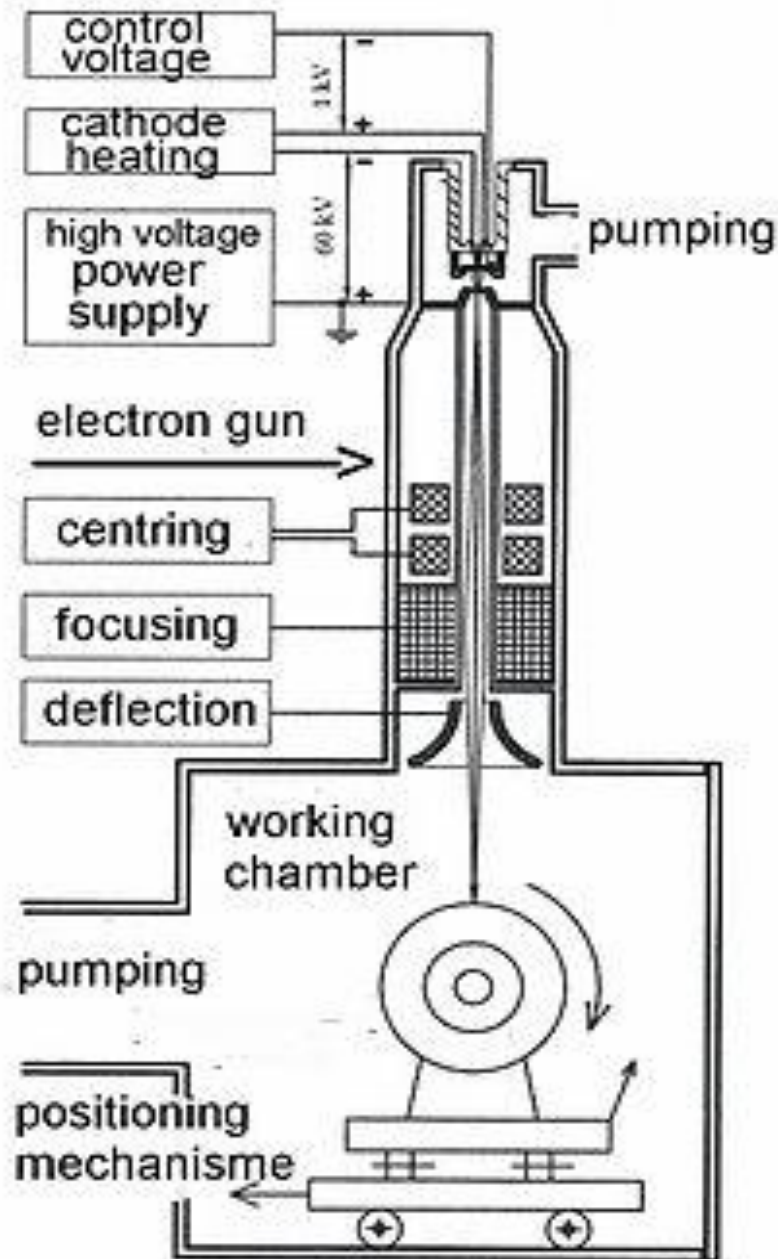


Fig. 3. Electron-beam welding equipment

*Electron gun:* In the electron gun, the free electrons are gained by thermo-emission from a hot metal strap (or wire).

*Working chamber:* The vacuum working chamber may have any desired volume, from a few liters up to hundreds of cubic meters.

*Workpiece manipulators:* Workpiece manipulators are mostly designed individually to meet the specific requirements of the welding equipment.

*Power supply and control and monitoring electronics:* Electron-beam equipment must be provided with an appropriate power supply for the beam generator. The accelerating voltage may be chosen between 30 and 200 kV.

## ELECTRIC ARC UNDERWATER WELDING

(Дугове зварювання під водою)

*Савчук Д., студент*

*Науковий керівник – Афтандіяні Є.Г., д.т.н., проф.*

*Національний університет біоресурсів і природокористування України*

Underwater welding is used in the construction of hydraulic structures, repair of ships and underwater parts of port and oilfield metal structures (fig. 1). For the first time arc welding underwater was proposed and developed by K. K. Hrynov (1932).

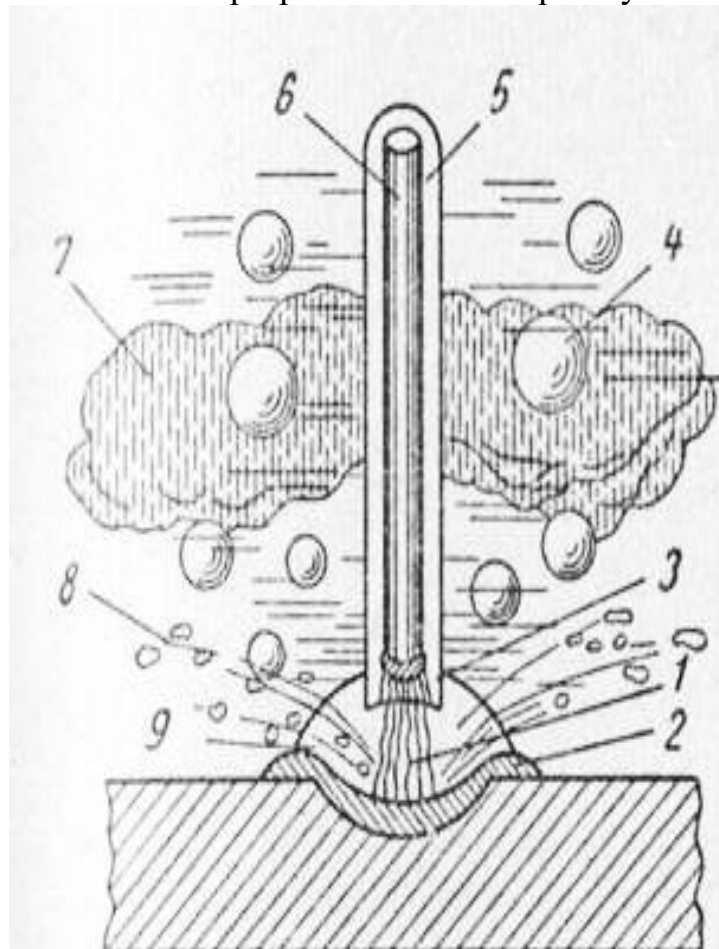


Fig. 1. Scheme of the process of underwater welding

Welding under water is performed by melting artificial electrodes, powder wire and non-fusible electrode. For underwater arc welding, thick coated electrodes with gyroscopic insulation are used. The core is made of low carbon steel; The coating includes: titanium oxide, iron ore, feldspar, ferrotitanium, ferromanganese, starch and liquid glass. Waterproofing is carried out with paraffin, a solution of celluloid in acetone or special varnishes. The coverage ratio should be within 0.35-0.40, and the surfacing factor should be 8-9 g / A-h.

The essence of the process of welding under water is that the heat of the arc evaporates and decomposes water, creating a gas cavity around the arc. The stability of the arc combustion is affected by the sleeve formed due to the delayed melting of the electrode coating compared to the melting of the rod. It helps to preserve the gas cavity in which the arc burns.

During welding, the heat of the arc is absorbed and the thermoelectronic emission is reduced, which makes it difficult to ignite the arc. Therefore, it is necessary to use AC power sources with a higher DC voltage (70-85 V). The welding current is selected 10-25% higher and the arc voltage 6-7 V higher than when working in the air.

#### *Underwater welding technique with artificial electrodes and powder wire*

The technique of welding underwater with artificial electrodes and powder wire is similar to welding in air. Weld in all spatial positions and to depths that limit the ability of the human body in diving equipment. As the depth increases, the pressure of the water on the gas cavity and the column of the arc increases, which contributes to the increase in the depth of metal penetration. The joints made by artificial electrodes have porosity, low plasticity and viscosity due to the negative influence of hydrogen.

When welding with a powder wire, the density and strength of the seam meets the requirements of responsible products. Due to difficult working conditions underwater welding there are defects: gaps, displacement of the axis of the seam, not melting of one of the edges.

For welding underwater use special electrodes with a detailed insulated surface. Before work, the welder must carefully check the diving equipment. The front porthole of the diving helmet should be closed with a filter by 2/3. Welding is started only when there is another instructed worker with two-way telephone connection to the welder above the water. There should be a telephone, an automatic power source circuit breaker and a cut-off switch to switch off the welding system from the mains. The most promising types of underwater welding are semiautomatic arc, plasma arc and electron beam.

УДК 669.14.018.25:620.18:539.374

## **FRICION WELDING**

(Зварювання тертям)

*Сарган П., студент*

*Науковий керівник – Афтанділянц Є. Г., д.т.н., проф.*

*Національний університет біоресурсів і природокористування України*

Friction welding is stamping welding with heating of a metal in the joint zone due to the friction of its surfaces during rotation or reciprocating movement of one surface relative to another.



Usually friction welding is used in the manufacture of parts that have the shape of bodies of rotation. Coaxially arranged parts are compressed by welded surfaces with some effort, and one of the parts is rotated. At rotation there is a grinding of the ends and intense heat. Contamination together with the metal heated to the plastic state are squeezed out of the joint. Upon reaching the joint at a sufficient temperature, the relative movement of the parts is immediately stopped and compressed with a certain amount of precipitation. At this point, a connection is formed (fig. 1).

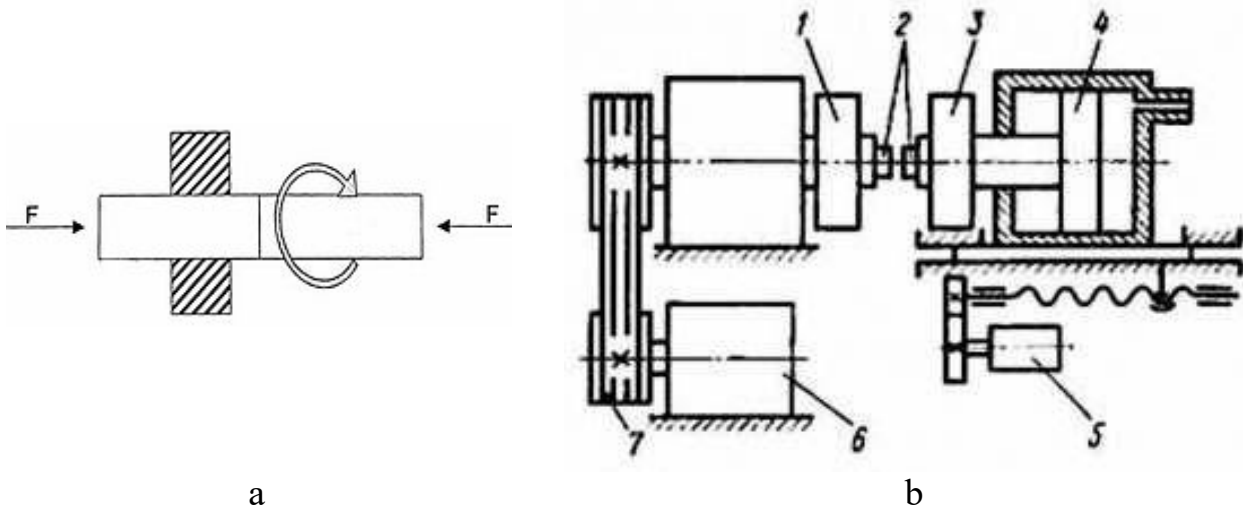


Fig. 1. Scheme of the process (a) and equipment (b) of friction welding  
 b - 1 and 3 - clips, 2 - workpieces, 4 - power drive, 5 - mechanism of installation movement of workpieces to the stop, 6 - engine, 7 - drive of rotation.

Thermal mode is important in friction welding. A quality connection is formed as a result of establishing metallic bonds between the juvenile surfaces of the parts. Films of various nature present on the connecting surfaces are destroyed by friction and removed from the welding zone due to considerable plastic deformation. To achieve the required deformation, the metal is heated under the influence of heat released during friction. Mechanical energy is converted into thermal localized in thin surface layers.

The work spent on overcoming friction forces is converted into heat that heats the metal to the required temperatures. For steels, depending on the welding mode, these temperatures are 950... 1100 ° C. The metal can be heated to friction even at higher temperatures, but it is displaced from the joint by the existing axial heating pressure. After reaching the required temperature, the relative displacement of the surfaces must be stopped (as soon as possible) as soon as possible. The heated surfaces are compressed by the force of precipitation (forging). The volume of the thin surface layer that is heated to the welding temperature is so small that the entire welding cycle lasts from several to 30 seconds.

A necessary condition for the formation of a quality joint is the plastic deformation of the metal in the joint zone. It is measured by the amount of convergence of the parts in the axial direction and is called the amount of sediment. Under the influence of temperature and pressure in the welding zone, the displaced metal forms a "collar" that protects the welded surfaces from the external

environment. Its size and shape, as well as the width of the thermal impact zone, depend on the welded metals and welding mode parameters (fig. 2).



Fig. 2. Samples of friction welding

The main parameters of the welding mode are the speed, pressure and time of heating, the pressure of forging (sediment) and the amount of sediment of the metal. Friction welding machines have a sufficiently high axial force and speed of rotation and should allow the parts to be started and stopped quickly relative to each other.

*Advantages* of friction welding over other methods of welding are: high productivity and energy performance of the process, quality and stability of properties of welded joints, ease of mechanization and automation, absence of harmful gas emissions, light ultraviolet radiation, spray of hot metals surface cleanliness, low level of welding deformations and defects of joints, possibility of welding in any spatial position.

*The disadvantages* of friction welding include some cumbersome equipment, limiting its use forms and sizes of parts; the need for strong substrates and secure attachment of welded workpieces; heavy metal losses (12 mm from each fork); noise and vibration during welding; frequent wear and tear on appliances and accessories.

## INDUCTION WELDING (Індукційне зварювання)

Склярук В., студентка  
Науковий керівник – Афтандіяну Є. Г., д.т.н., проф.

*Національний університет біоресурсів і природокористування України*

### *Basic concepts*

Welding is a fabrication or sculptural process that joins materials, usually metals or thermoplastics, by using high heat to melt the parts together and allowing them to cool causing fusion.

To obtain the energy that needs to be introduced into the production core elements of welding these parts:

- thermal
- thermomechanical
- thermal presses
- current ones
- press-own

*Physically, all welding methods are combined into three classes:*

*Thermal class:* types of welding, performed by melting with the use of thermal energy - gas, arc, electron-beam, laser, etc.

*Thermomechanical class:* types of welding carried out with the use of thermal energy and pressure - contact, diffusion, gas and press, forging and others.

*Mechanical class:* types of welding performed using mechanical energy - cold, friction, ultrasonic, explosion, etc.

*Induction welding* is a welding method in which electromagnetic induction is used to heat a workpiece.

The method of induction welding is the welding of longitudinal seams of suture pipes. In the induction circuit of the pipe in front of the clamping rolls are in the immediate vicinity of the transformer or inductor, with the edges form a gap V-shaped, which is closed under the inductor. When passing under the inductor, swirl currents are induced in the welded parts, which deflects to the top of the ascent angle, thereby providing rapid heating of the metal at the connection point to the welding temperature.

Induction welding is performed by heating the metal to plastic state or before melting by induction currents of medium (2 ... 10 kHz) or high (70 ... 500 kHz) frequencies with subsequent squeezing of details. When welding pipes workpiece 1 moves between the clamping rollers 3 and is heated by the inductor 2 (Fig. 1)

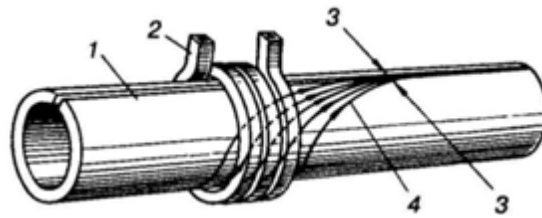


Fig. 1. Scheme of the induction welding

During the passage of current through the inductor in the pipe workpiece secondary currents are induced 4. Due to the high current density the metal in this area is very quickly heated to temperature melting. The next compression of the pipe billet a welded joint is created with displacement of the molten joint metal.

*Induction welding is used for welding ferrous and non-ferrous metals and alloys, plastics and synthetic fabrics.*

When welding cross-connections, the transformer inductor is made in the form of a ring that covers the welded pipes along the connection line. High frequency induction currents weld the pipes have diameters from a few millimeters to 1600 mm at wall thickness 0.1 ... 16 mm (fig. 2).

*Advantages of the method*

- the possibility of welding pipes from hot-rolled, uncleaned scale, workpieces, which is not possible with the contact welding, or contact current supply high frequency;
- high performance;
- possibility of welding of pipes from easily oxidized metals, austenitic and heat resistant steels, aluminum alloys and others metals.

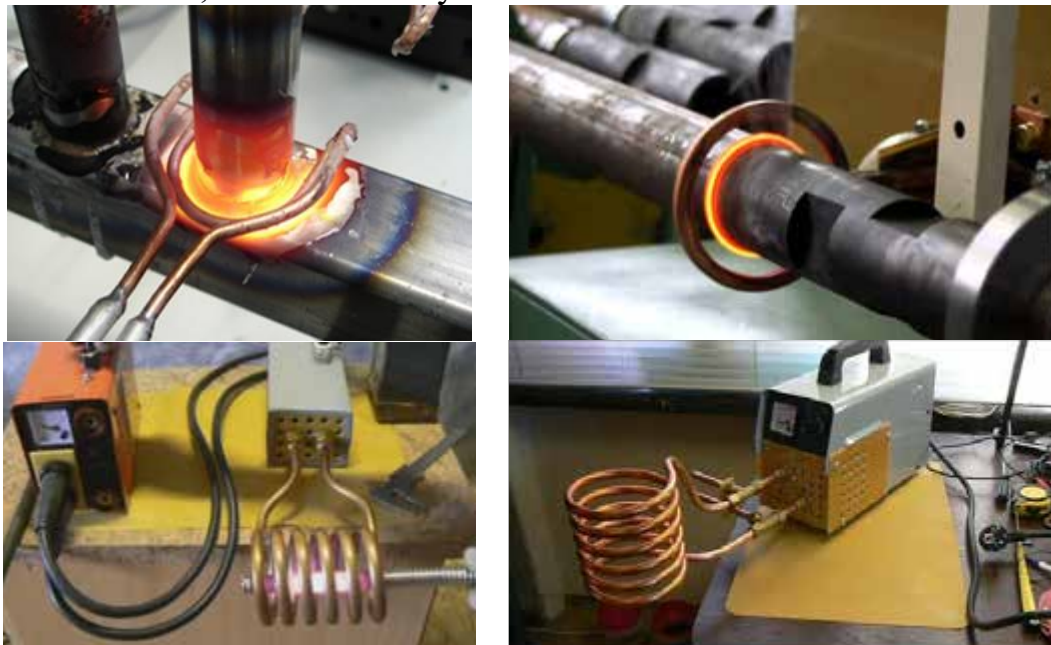


Fig. 2. Samples of the induction welding

*Some equations to consider for induction welding include:*

The heat station utilizes a capacitor and a coil to heat the work pieces. The capacitor matches the power generators output and the induction coil transfers energy to the piece. When welding the coil needs to be close to the work piece to maximize the energy transfer and the work piece used during induction welding is an important key component of optimal efficiency.

УДК 621.432.3

## КОЛІСНІ ГАЛЬМА ТРАКТОРІВ ХТЗ-17221, НЕСПРАВНОСТІ ТА МЕТОДИ ЇХ УСУНЕННЯ

*Лавріненко О.В., магістр першого року навчання  
Науковий керівник – Сиволапов В.А., ст.викл.*

*Національний університет біоресурсів і природокористування України*

Трактор ХТЗ-17221 обладнано центральним стрічковим гальмом з механічним приводом і ручним керуванням та колісними колодковими гальмами з пневматичним приводом і ножним керуванням.

Колісні гальма призначені для зниження швидкості руху трактора і повної його зупинки, а центральне (стоянкове) — для гальмування на стоянках, а також для термінової зупинки трактора в аварійній обстановці при відмові в роботі колісних гальм.

У процесі експлуатації трактора накладки колодок та барабани спрацьовуються і зазори між ними збільшуються. Із збільшенням зазорів збільшується час вступу в дію гальм, витрачається більше повітря на кожне гальмування, знижується ефективність гальм. Ознака надмірного збільшення зазорів і необхідності регулювання гальм — збільшення ходу штока камери понад 35 мм. Хід штока перевіряють лінійкою, натискаючи на регулювальний важіль або подаючи повітря в камеру.

Регулювання колісних гальм. Для відновлення нормальних зазорів між накладками і барабаном виконують часткове регулювання гальм, а при заміні накладок або порушенні з будь-яких причин положення ексцентричних пальців— повне.

Колісні гальма. Для розбирання і складання колісних гальм трактора розроблено стенд ОР-6283. Встановивши колісне гальмо в складеному вигляді на стенд, від'єднують вилку штока гальмівної камери від важеля гальма і знімають гальмівну камеру, пружину колодок гальма, чеки, стяжки, колодки і шайби, виймають із пазів колодок сальникові кільця.

Знімають регулювальний важіль гальма в складеному вигляді, регулювальні шайби і виймають із щита розтискний кулак та знімають з нього повстяне кільце і опорну шайбу. Після цього знімають кронштейн гальмівної камери в складеному вигляді, накладки з колодки гальма, випресовують палець відтяжної пружини.

Потім розбирають регулювальний важіль гальма. Для цього зрубують заклепки, знімають кришки корпусу, відкручують із нього пробки фіксатора, виймають пружину і кульку. Відкручують із корпусу вісь черв'яка, виймають черв'як, черв'ячну шестірню, заглушку і відгвинчують пробки, випресовують втулку із корпусу важеля.

Спрацювання і розміри деталей колісного гальма наведені в таблиці 1. Крім того, виникають тріщини і зломи гальмівних накладок, щита гальмівного барабана, кронштейнів, регулювальних важелів, пошкодження різьби, ослаблення заклепок кронштейнів, щита в складеному вигляді. Дефектами гальмівної камери є порушення герметичності, тріщини і вм'ятини кришки, пошкодження різьби, діафрагми, поломка пружини. У регулювальних важелях переднього і заднього гальма виникають також такі дефекти, як зминання граней осі черв'яка, ослаблення заглушки, відсутність фіксації та заїдання черв'яка.

Гальмівні накладки з тріщинами і зломами, а також спрацьовані на величину, більшу від допустимої, вибраковують. Деформовану кришку гальмівної камери і щит гальмівного барабана рихтують, тріщини заварюють. Ослаблені заклепки замінюють.

В разі спрацювання поверхонь гальмівної колодки під вісь і гальмівний кулак отвори розточують та запресовують ремонтні втулки.

Пошкоджену діафрагму і поламану пружину гальмівної камери вибраковують. Тріщини регулювальних важелів, які не виходять на поверхні спряження з іншими деталями, усувають за допомогою зварювання. Пошкоджені і спрацьовані деталі черв'ячної пари вибраковують. Спрацьовані інші деталі колісного гальма відновлюють шляхом наплавлення з наступною механічною обробкою.

Складають колісні гальма в послідовності, зворотній розбиранню.

Допустимі зазори і натяги в з'єднаннях деталей під час ремонту наведено в таблиці 1.

Гальмівні накладки повинні щільно прилягати до поверхні гальмівних колодок. Між гальмівною накладкою і ободом колодки допускається зазор до 0,3 мм. Головки гвинтів кріплення накладок до колодок повинні утопати в нових накладках на 9...10 мм.

Різниця замірювань виступання, пальця відтяжної пружини з двох сторін відносно колодки гальма допускається не більше 1 мм. Внутрішня робоча поверхня гальмівного барабана повинна бути чистою, без рисок і раковин.

Втулки розтискних кулаків запресовують у кронштейни врівень з їх поверхнею. Виступання торців втулок не допускається. Вал розтискного кулака повинен вільно повертатись у втулках кронштейна.

З'єднувальні трубки, шланги і гальмівні камери герметизують. При випробуванні під тиском  $10 \text{ ксн/см}^2$  витікання повітря не допускається.

Гальмівні колодки повинні надійно утримувати барабан у загальмованому стані, при цьому хід штока гальмівної камери має бути 15...20 мм. Гальмівні колодки регулюють за допомогою ексцентричних осей у такій послідовності:



- повертають вісь колодок мітками (на зовнішньому торці або осі) одна до другої;

- розтискають колодки регулювальним важелем до впирання накладок у гальмівний барабан;

- центрують колодки за допомогою ексцентриків осей так, щоб вони щільно прилягали до барабана. Щуп 0,1 мм не повинен проходити між барабаном і накладкою по всій ширині на відстані 20...30 мм від зовнішніх кінців накладок.

Після регулювання гайки осей колодок надійно затягують. У розгальмованому стані барабани повинні вільно обертатись, не торкаючись колодок. При цьому зазор між барабаном і колодками мусить бути з боку розтискних кулаків не менше як 0,4 мм, а з боку осей колодок — 0,2...0,6 мм.

Таблиця 1 - Спрацювання і розміри деталей колісного гальма

Спрацювання деталей	Розмір, мм	
	за кресленням	допустимий під час ремонту
Гальмівна накладка за товщиною (утопання головок гвинтів)	9,5 ±0,5	5
Гальмівна колодка під вісь	28 <sup>+0,045</sup>	28,2
Втулка щита під вісь	22 <sup>+0,140</sup>	22,2
Втулка кронштейна гальмівної камери під гальмівний кулак	38 <sup>+0,10</sup>	38,2
Гальмівний барабан під накладку колодки	460 <sup>+0,360</sup>	466
Розтискний гальмівний кулак під втулки	39 <sup>-0,032</sup> <sub>-0,100</sub>	37,8
Шліци розтискного гальмівного кулака	5,86 <sub>-0,100</sub>	5,5
Вісь колодок під деталі: гальмівну колодку	28 <sup>-0,060</sup> <sub>-0,130</sub>	27,8
втулку	22 <sup>-0,02</sup> <sub>-0,085</sub>	21,8
стяжку	22 <sup>-0,140</sup> <sub>-0,280</sub>	21,1
Втулка регулювального важеля	12 <sup>+0,120</sup> <sub>+0,060</sub>	12,6

#### Список використаних джерел:

1. Воловик Е.Л. Справочник по восстановлению деталей. – М.: "Колос", 1981. – 351 С.
2. Сідашенко О.І. Ремонт машин та обладнання: Підручник / [Сідашенко О.І. та ін.]; За ред. проф. О.І. Сідашенка, О.А. Науменка. – К.: Агроосвіта, 2014. – 665 С.

## **АНАЛІЗ ХАРАКТЕРНИХ ДЕФЕКТІВ РОЗПОДІЛЬЧИХ ВАЛІВ ДВИГУНІВ ВНУТРІШНЬОГО ЗГОРЯННЯ**

*Міхненко І.О., магістр першого року навчання  
Науковий керівник – Новицький А.В., к.т.н., доц.*

*Національний університет біоресурсів і природокористування України*

Однією з важливих складових двигуна внутрішнього згорання (ДВЗ) є розподільчий вал (РВ), тому що саме від ефективності його роботи залежить порядок і тривалість відкривання клапанів. Навіть, допустимий знос РВ призводить до втрати потужності ДВЗ, а його граничний знос – до дорогого ремонту, який пов'язаний із відновленням головки блоку, клапанів і навіть блоку циліндрів [1, 2]. До характерних дефектів РВ відносяться наступні: сильний знос, задири і подряпини на поверхнях опорних шийок розподільного вала; сильний знос і задираки на робочих поверхнях кулачків розподільного вала. Розглянемо ті дефекти розподільного вала, які найчастіше виникають в процесі експлуатації мобільних енергетичних засобів (МЕЗ) та причини їх виникнення.

Дефектом номер один є граничний знос, задири і подряпини на поверхнях опорних шийок РВ. Характерні причини: робота ДВЗ з недостатнім тиском в системі мащення або ж з недостатнім рівнем оливи в картері; робота двигуна на оливі низької якості; сильне перегрівання, що приводить до розрідження оливи; попадання в оливу палива (бензину або дизельного палива), що приводить до розрідження оливи; робота ДВЗ із забрудненим фільтром для очищення оливи; робота ДВЗ на брудній оливі; великий пробіг МЕЗ. Розглянемо заходи, які направлені на усунення наслідків вказаного дефекту: заміна розподільного вала; шліфування шийок РВ під ремонтний розмір та встановлення втулок збільшеного ремонтного розміру; перевірка посадочних місць під РВ в голівці блоку циліндрів або в блоці циліндрів. В окремих випадках – ремонт посадочних місць під РВ; перевірка системи мащення, насоса системи мащення і при необхідності, ремонт або його заміна. Очищення, промивання і продування каналів для подачі оливи блоку циліндрів і головки блоку. Застосування моторної оливи належної якості і регулярна, згідно рекомендацій заводу-виробника терміни, заміна моторної оливи і фільтра.

Другим за повторюваністю є дефект РВ, який пов'язаний із граничним зносом і задирами на робочих поверхнях кулачків. Характерні причини: робота ДВЗ з недостатнім тиском в системі мащення; робота ДВЗ з недостатнім рівнем оливи в картері або ж робота на оливі низької якості; значне перегрівання ДВЗ, що є однією з причин розрідження оливи; попадання в оливу палива (бензину або дизельного палива), що призводить до розрідження оливи; робота ДВЗ із забрудненим фільтром для очищення оливи або ж робота на забрудненій оливі; великий пробіг ДВЗ; порушення зазору в клапанному механізмі; дефекти

гідрокомпенсаторів. Можуть також виникати дефекти і пошкодження деталей приводу клапанів, включаючи, штовхачі, штанги, коромисла, через порушення у встановленні фаз газорозподілу.

Основними заходами для відновлення працездатності є наступні: заміна розподільного вала; перевірка, регулювання і при необхідності ремонт клапанного механізму; заміна гідро компенсаторів; перевірка системи мащення, насоса і при необхідності ремонт або ж його заміна; очищення, промивання і продування каналів для подачі оливи в блоці циліндрів і головці блоку. Застосування моторної оливи належної якості і регулярна, згідно рекомендацій заводу-виробника терміни, заміна моторної оливи і фільтра. Перевірка системи охолодження і при необхідності її ТО і ремонт.

Одним із шляхів відновлення працездатності при виникненні вказаних дефектів є діагностування, ТО або ж ремонт систем охолодження або ж живлення МЕЗ. Ефективність проведення робіт з ремонту ДВЗ і відновлення окремих деталей залежить від організації роботи інженерно-технічної служба, наявні в господарствах ремонтної майстерні, укомплектованості професійними кадрами, ремонтно-технологічним обладнанням та нормативною-технічною документацією [3]. При проведенні складних ремонтів двигунів МЕЗ принципове значення має наявність вимірювального інструменту та пристосувань. При їх відсутності домогтися якісного проведення ремонтних робіт і високої надійності ДВЗ в подальшій експлуатації неможливо [2].

#### **Список використаних джерел:**

1. Новицький А., Сиволапов В., Підобід В., Грабовюк Р. Характерні відмови та ремонт деталей газорозподільного механізму. *Agroexpert*, 2014, № 3. С. 56 – 60.
2. Новицький А., Мельник В., Карабиньош С., Банний О. Вимірювальний інструмент та пристосування для ремонту двигунів. *Agroexpert*, 2014, № 10. С. 74 – 78.
3. Ружи́ло З. В., Новицький А. В. Огляд теоретичних досліджень надійного функціонування систем «ЛМС» під впливом технічного обслуговування і ремонту. *Науковий Журнал «Технічний сервіс агропромислового, лісового та транспортного комплексів»*. Харків, 2016, Вип. 2 С. 223 – 231.

УДК 621.432.3

### **ЗАХИСТ БЛОКУ ЦИЛІНДРІВ ДВИГУНІВ ВІД КАВІТАЦІЇ**

*Вакуленко О.А., магістр першого року навчання  
Науковий керівник – Сиволапов В.А., ст.викл.*

*Національний університет біоресурсів і природокористування України*

При тривалій експлуатації дизелів ЯМЗ раніше спостерігалися значні кавітаційні руйнування поверхонь гільз і блоку циліндрів з утворенням виїмок

глибиною до 3 мм. В результаті цього рідина з системи охолодження потрапляла в картер двигуна. Однією з причин кавітаційних руйнувань гільз і блоків циліндрів є коливання гільз, порушувані циклічним навантаженням, що діє на поршні, і особливо динамічним імпульсом при «перекладанні» поршня в гільзі. Коливання гільз призводять до порушення нестационарних течій охолоджуючої рідини в зоні сполучення гільзи і блоку циліндрів з розвитком кавітаційних процесів, в результаті яких блок і гільзи циліндрів руйнуються.

Для відпрацювання конструкції вузла з антикавітаційним захистом блоку циліндрів в зоні нижнього посадочного пояса і визначення ефективності цієї конструкції була потрібна розробка спеціальної методики форсованих випробувань. За результатами цих випробувань був обраний спосіб антикавітаційного захисту блоку циліндрів в нижньому посадковому поясі - установка антикавітаційних гумових кілець. При оцінці варіантів кавітаційного захисту враховувалися такі фактори, як ефективність захисту від кавітації, технологічність конструкції, простота складання та розбирання, взаємозамінність гільз циліндрів на раніше випущених дизелях. Були проведені порівняльні дослідження трьох варіантів антикавітаційних кілець.

Перший варіант - в якості антикавітаційного кільця застосовувалося серійне кільце ущільнювача круглого перетину. Для установки цього кільця на гільзу і гільзи з кільцем в блок потрібна додаткова обробка гільзи і блоку (рис. 1, а). В результаті форсованих випробувань антикавітаційні кільця даного виду частково або повністю руйнувалися, охолоджуюча рідина з сорочки блоку і гільзи проникала в зону кілець ущільнювачів, викликаючи прогресуючі кавітаційні руйнування.

Другий варіант - плоске гумове кільце з натягом надягали на гільзу, а потім гільзу з кільцем встановлювали в виточку блоку (рис. 1, б). Складання при цьому зручне, але утруднений демонтаж гільзи з блоку циліндрів в разі розбухання гуми.

Третій варіант - антикавітаційне кільце поміщали в розточення блоку, а контактну поверхню гільзи робили конічною (рис. 1, в). Даний варіант виявився невдалим в технологічному відношенні. При монтажі гільзи кільце зміщувалося щодо розточування в блоці. Однак ефективність захисту від кавітації була задовільною.

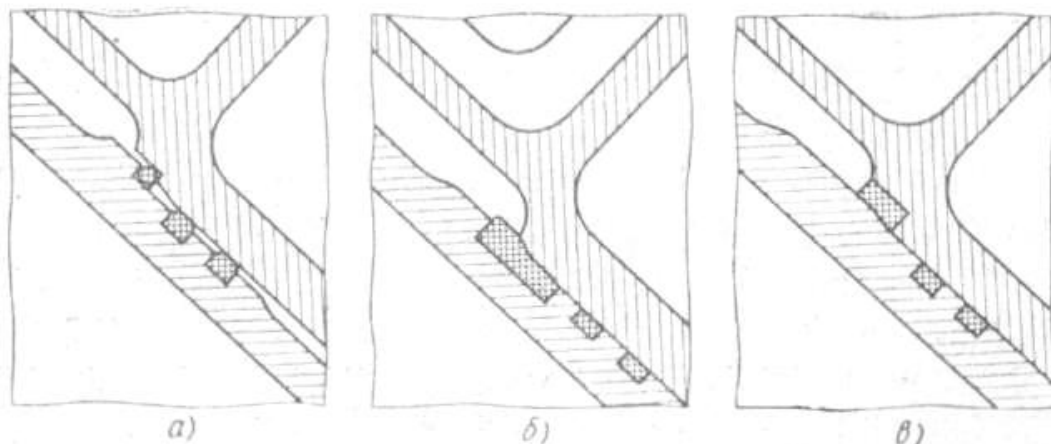


Рис. 1. Варіанти антикавітаційного захисту нижнього пояса блоку циліндрів

Оптимальним виявився другий варіант після введення деяких змін. Була поглиблена виточка під кільце на гільзі, тому блок не треба було додатково обробляти. Для кращого захисту гільз і блоку від кавітації був визначений оптимальний натяг в сполученні гільза-кільце-блок. Плоске гумове кільце відповідної конструкції, що встановлюється на гільзу циліндрів з оптимальним натягом було впроваджено у виробництво.

УДК 621.432.3

## АНАЛІЗ МЕТОДІВ ВІДНОВЛЕННЯ ГІЛЬЗ ЦИЛІНДРОВ ДВИГУНІВ ВНУТРІШНЬОГО ЗГОРЯННЯ

*Очеретяний В.С., студент*  
*Науковий керівник – Сиволапов В.А., ст.викл.*

*Національний університет біоресурсів і природокористування України*

У середині блоку циліндра двигуна внутрішнього згоряння і на ньому розташовуються основні механізми і деталі систем двигуна. Поверхня блоку циліндрів використовується як робоча поверхня тільки в деяких автомобільних і тракторних двигунах з невеликим діаметром циліндра. У сучасних двигунах рідинного охолодження циліндр виконується у вигляді мокрої гільзи, яка омивається зовні охолоджувальною рідиною, або у вигляді сухої гільзи, встановленої по всій довжині циліндра, де спостерігається максимальний знос.

Гільза займає особливе місце, як за своїм призначенням, так і по висунутим до неї вимогам. Такий показник, як міцність, не достатній для тривалої і надійної роботи двигуна. Сухі гільзи товщиною від 2 до 4 мм (рисунок 1, в, г) встановлюють з натягом 0,03...0,06 мм. В автомобільних і тракторних дизельних двигунах застосовують мокрі гільзи, що відливаються з чавуну, з верхнім опорним фланцем (рисунок 1, а, б).

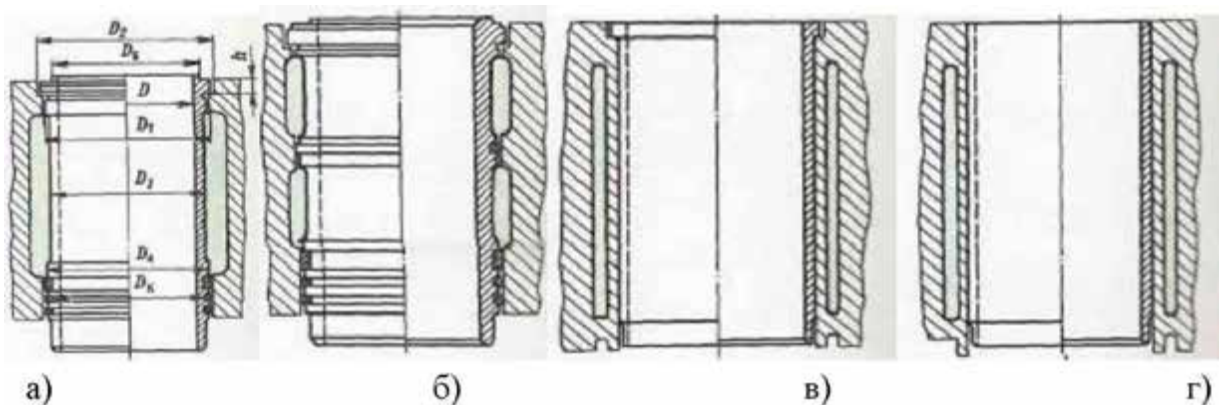


Рисунок 1. Гільзи блоку циліндрів, а, б - мокрі; в, г – сухі.

Гільзи в блоці циліндрів встановлюють таким чином, щоб охолоджуюча рідина не змогла проникнути в них і в піддон, а гази не проривалися з циліндра.

Дефекти гільз і основні причини їх виникнення.

#### 1. Знос внутрішньої поверхні гільз циліндрів ДВС.

При роботі двигуна внутрішнього згоряння у верхній частині циліндрів відбувається згорання робочої суміші, охолоджуюча рідина, пари води і масла конденсуються на стінках циліндрів. Відбувається процес окислення з утворенням кислоти, яка викликає корозію циліндрів, руйнує масляну плівку і збільшує знос циліндрів і поршневих кілець. Для збільшення терміну зносостійкості циліндрів в двигунах застосовують вставки, виготовлені з корозійностійкого чавуну.

У верхній частині дзеркала циліндра механічне зношування більше, ніж у нижній. Робоча суміш, що згорає, підвищує тиск гарячих газів. Перше компресійне кільце максимально притискається до дзеркала циліндра. Поршень зупиняється, масляна плівка, що утворилася, згорає, і перше поршневе кільце стикається з дзеркалом циліндра.

#### 2. Кавітаційне зношування.

У дизельних двигунах виникає вібрація гільз циліндрів, яка утворюється при переміщенні поршня від однієї сторони циліндра до іншої. Між поршнем і дзеркалом циліндра є зазор, тому при переміщенні поршня відбувається удар. Вібрація циліндра призводить до кавітаційного зношування.

Зовнішня поверхня гільз циліндра і частина блоку циліндра, де замикаються кавітаційні бульбашки, піддаються руйнуванню. Для уникнення цього виду руйнувань в гільзах двигунів (ЯМЗ-236 і ЯМЗ-238) роблять канавку, в яку вставляють антикавітаційне кільце прямокутного перерізу.

#### 3. Злам бурту гільзи.

У блоці циліндрів є округле заглиблення, яке називається сідлом буртика. Воно призначене для фіксації гільзи в блоці. Буртик сидить точно в поглибленні так, щоб гільза повністю спиралася по всьому периметру сідла. Основними причинами зламу бурту гільзи є нерівності і перекося в області сідла буртика в блоці циліндра. Необхідно, щоб поверхня була строго горизонтальна), а кромка поверхні сідла зрізана (під кутом приблизно  $1 \times 45^\circ$ ).

#### 4. Тріщини на поверхні гільзи.

Причиною появи тріщин в деталях є ненормальні умови їх роботи (сильний перегрів, швидке охолодження, ударні навантаження і т.д.). Виникнення тріщин може бути спровоковано порушенням технології ремонту. Причиною утворення тріщин на поверхні гільз може стати перетяжка болтів головки блоку циліндрів в деяких двигунах. У ряді випадків тріщина розвивається і призводить до повної поломки деталі. Збільшення тріщини залежить від типу деталі, матеріалу з якого виготовлена гільза, і перетину, по якому проходить тріщина. Для деталей поршневої групи тріщина майже завжди призводить до руйнування деталі і поломки двигуна. Вибір способу відновлення зношених автотракторних деталей проводиться різними способами і залежить від виробничих можливостей ремонтних майстерень і економічно обгрунтованими міркуваннями :



1. Розточування під ремонтний розмір Спосіб розточування і хонінгування гільз циліндрів застосовується при зносі внутрішньої поверхні гільзи до діаметру, що перевищує граничний, при виникненні овальності і конусності на робочій ділянці більше допустимих розмірів. Залежно від величини зносу гільзи відновлюють розточуванням з подальшим хонінгуванням. Такий спосіб відновлення знайшов широке застосування при ремонті циліндропоршневої групи двигунів внутрішнього згорання.

2. Шліфування внутрішньої поверхні Внутрішні поверхні гільз циліндра шліфують до повного виведення слідів зносу. Після шліфування робоча поверхня гільзи піддається піскоструминному очищенню і оцинкуванню, можливе використання інших струминних методів.

3. Електроімпульсне нанесення покриттів.

Принцип даного способу заснований на тому, що при проходженні імпульсного розряду конденсатора через дріт напилюваного металу виникає вибухове плавлення дроту, в ході якого розплавлені дрібні частинки металу осідають на внутрішній поверхні гільзи. Основним недолік даного способу є те, що цей спосіб не годиться для відновлення гільз з великою величиною зносу, так як таким способом неможливо отримати покриття великої товщини.

4. Спосіб відновлення електролітичними покриттями.

Принцип методу полягає в тому, постійний електричний струм, проходячи через розчин електроліту, утворює в ньому позитивно і негативно заряджені іони. Позитивно заряджені іони притягуються до негативного електроду - катода, яким є металева деталь, і осідають на її поверхні. Основними недоліками даного способу є маленька товщина шару покриття, велика часова тривалість нанесення покриття і нерівномірність шару, що наноситься

5. Гальваномеханічний спосіб відновлення.

Даний спосіб є різновидом електрохімічного хонінгування, для охолодження використовують електроліт для нанесення обраного металу, і зводиться до електроосадження металу з одночасним хонінгуванням при незначному тиску брусків і до остаточного хонінгування для отримання необхідної геометрії поверхні, що обробляється. Тому весь технологічний процес здійснюється за допомогою однієї установки на певному обладнанні. Суттєвим недоліком даного способу є висока вартість необхідного обладнання, матеріалів, які використовуються при відновленні.

6. Відновлення способом постановки ремонтних втулок.

Спосіб відновлення внутрішньої поверхні гільз циліндрів дозволяє збільшувати відсоток повторно використовуваних гільз, в зв'язку з тим, що виникає ймовірність ремонтувати гільзи при зносі внутрішньої поверхні, що перевищує 0,4 мм.

Зовнішню поверхню втулки проточують з допусками на подальше доведення до номінальних розмірів гільзи після операції запресування. Виготовлену втулку спочатку нагрівають до 300°C...400°C, а потім встановлюють на підготовлену ділянку гільзи. При охолодженні втулки відбувається обтиск гільзи, за рахунок цього відновлюється внутрішній діаметр

гільзи. В кінцевому підсумку обробляють внутрішню і зовнішню поверхні гільзи під номінальні розміри.

Недоліком даного способу є подорожчання виробництва і ускладнення технологічного процесу.

УДК 669.14.018.25:620.18:539.374

## **DIFFUSION WELDING** (Дифузійне зварювання)

*Хеулеу Т., студент*

*Науковий керівник – Афтандіяну Є.Г., д.т.н., проф.*

*Національний університет біоресурсів і природокористування України*

Diffusion bonding or welding is a solid-state welding process wherein coalescence of the facing surfaces is produced by the application of pressure and elevated temperatures to carefully cleaned and mated metal surfaces so that they actually grow together by *atomic diffusion*.

- The process does not involve macroscopic deformation, or relative motion of the workpieces.
- The process can be used to join either similar or dissimilar metals with the optional use of a solid filler metal between the facing surfaces.

### *Welding types*

#### *Gas pressure bonding:*

•The facing surfaces are pressed together and heating done to 815 degrees Celsius. During heating, an inert gas pressure is built up over all the surfaces of the parts to be welded.

- Non ferrous metals

#### *Vacuum fusion bonding:*

•The facing surfaces are pressed together mechanically or hydraulically using a hydraulic press. Process carried out in vacuum chamber. Heating at about 815 degrees Celsius.

- Pressure much higher than previous process, so can be used for steel and its alloys.

#### *Eutectic fusion bonding:*

- Low temp diffusion welding process
- A thin plate of filler material between the pieces to be joined.
- As the pieces are heated to a particular temperature, the filler material diffuses and forms a eutectic compound with the parent metals.

#### *Equipment and tools*

Main requirement is that temperature and pressure must be applied and maintained in a controlled environment. Usually, autoclaves and presses are the main equipment used.

*Diffusion welding working principles*

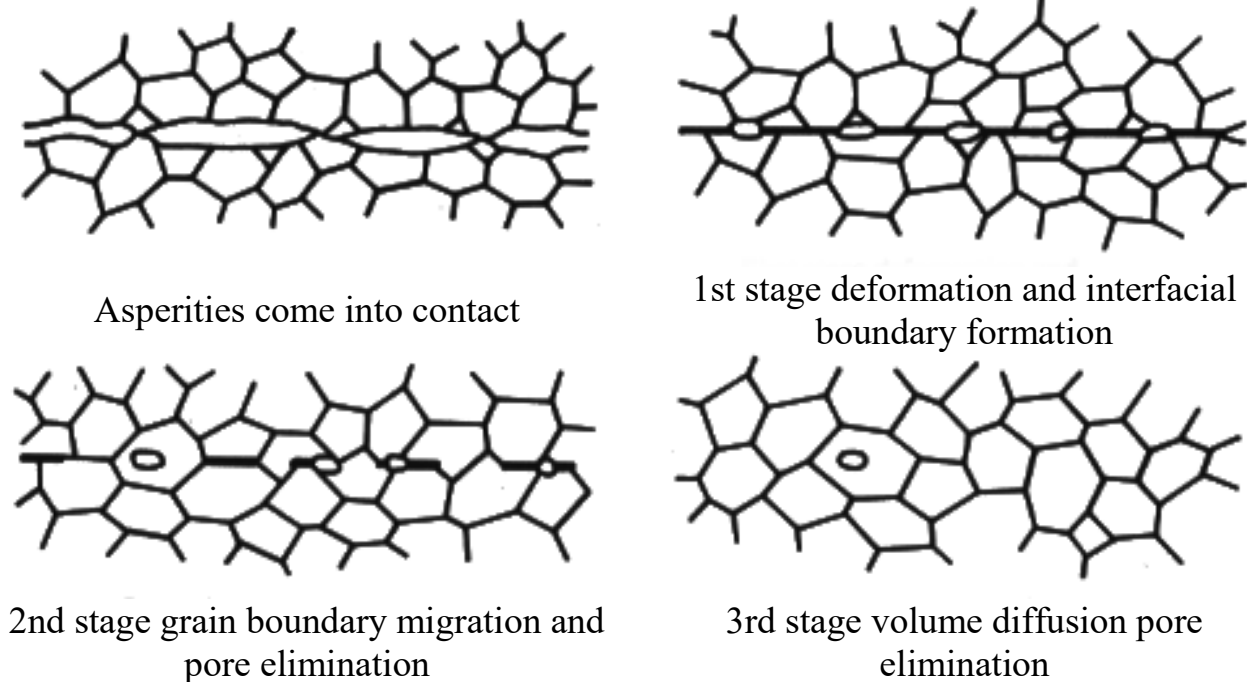


Fig. 1. Diffusion welding working principles

1st stage - Deformation forming interfacial boundary.

2nd stage - Grain boundary migration and pore elimination.

3rd stage - Volume diffusion and pore elimination.

*Principle*

Surface to be diffusion welded will have some surface roughness, ie; a number of peaks and valleys, and also oxidized layers, grease dirt, adsorbed gas, moisture ,etc. on its ,surface.

- The first stage is to ensure intimate metal to metal contact for the 2 pieces to be diffusion welded.

- For this, we need to apply pressure to deform the substrate roughness and also disperse the oxide layers and contaminants.

- Diffusion and grain growth to complete the weld so that there is complete metallic bonding across the area of contact.

- Moderate heating temperatures below 1100 degrees Celsius to increase the diffusion rate.

*Process*

- The Diffusion-welding process consists in bringing *together* the smoothed surfaces to be diffusion welded after having eliminated all contaminants and surface oxides (Stage 1 of fig. 2).

- Then pressure is gradually applied and temperature is elevated to permit *diffusion* at the atomic level (Stage 2 of fig. 2).

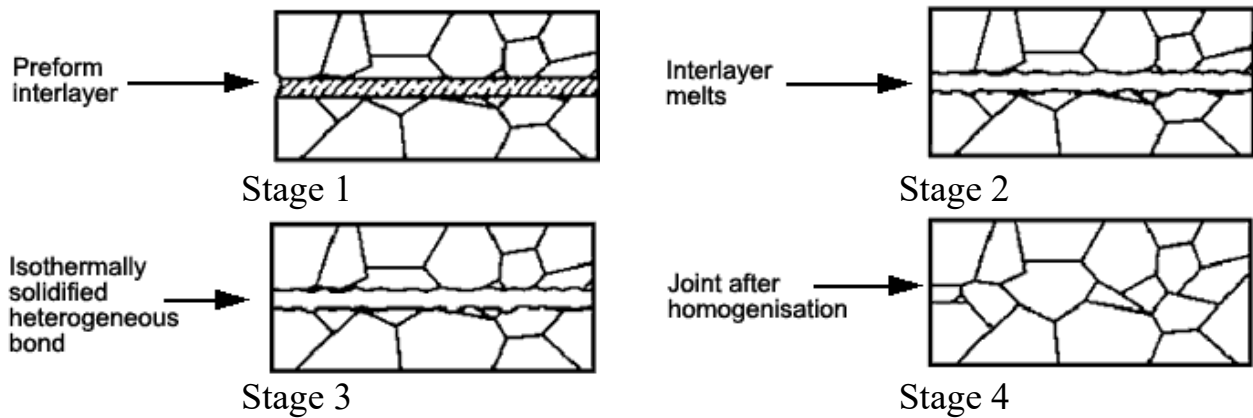


Fig. 2. Stages of diffusion welding process

- Then diffusion causes the interface to *disappear* slowly while the remaining voids between the original surfaces shrink or are absorbed within the grains (Stage 3 of fig. 2).

- Finally the *interface cannot be seen* any more (in a metallographic section) and residual voids, if any, result no larger or frequent than those of the base metals (Stage 4 of fig. 2)

#### *Welding Parameters*

##### *1. Bonding Pressure:*

- Uniform pressure assures consistency of bond formation, i. e, it ensures tight contact between the edges of the pieces.

- The initial deformation phase of bond formation depends on the intensity of pressure applied. It must be sufficient so as to aid deformation of surface asperities and to fill all the voids at the interface by material flow.

- The compressive load helps in dispersing surface oxide films. This leaves a clean surface and aids diffusion and coalescence at the interface.

- For a given time-temperature value, increased pressure gives better quality joints. However, the cost will also increase.

- However, the applied pressure must not be so high as to cause macroscopic deformation.

##### *2. Bonding Temperature:*

- Plastic deformation, creep and the diffusion mechanisms are all temperature dependent since higher temperature increases the surface energy and hence the mobility of the atoms.

- Temperature determines: (a) the extent of contact area which dictates the size of the voids to be eliminated during the 2nd stage of diffusion and (b) the rate of diffusion which governs void elimination during the 3rd stage.

- Usually, elevated temperatures will shorten diffusion welding cycle and reduce cost since less pressure needs to be applied.

- Diffusion welding temperatures usually ranges from  $0.55$  to  $0.8T_m$  (the melting point of the base metal).

##### *3. Dwell Time:*

•Dwell time is usually dependent on the temperature. An increase in temperature shortens the time required to complete the diffusion welding and vice versa.

•Dwell time at a specific bonding temperature and pressure must, in most cases, be kept minimum from physical and economical considerations.

•It should be sufficient for an intimate contact to be formed by elimination of the asperities at the interface through the process of diffusion. However, excessive diffusion time may lead to the formation of Kirkendall voids in the weld zone or even form brittle intermetallic compounds.

Pressure, temperature and time are shown on fig. 3 for diffusion welding copper and stainless steels.

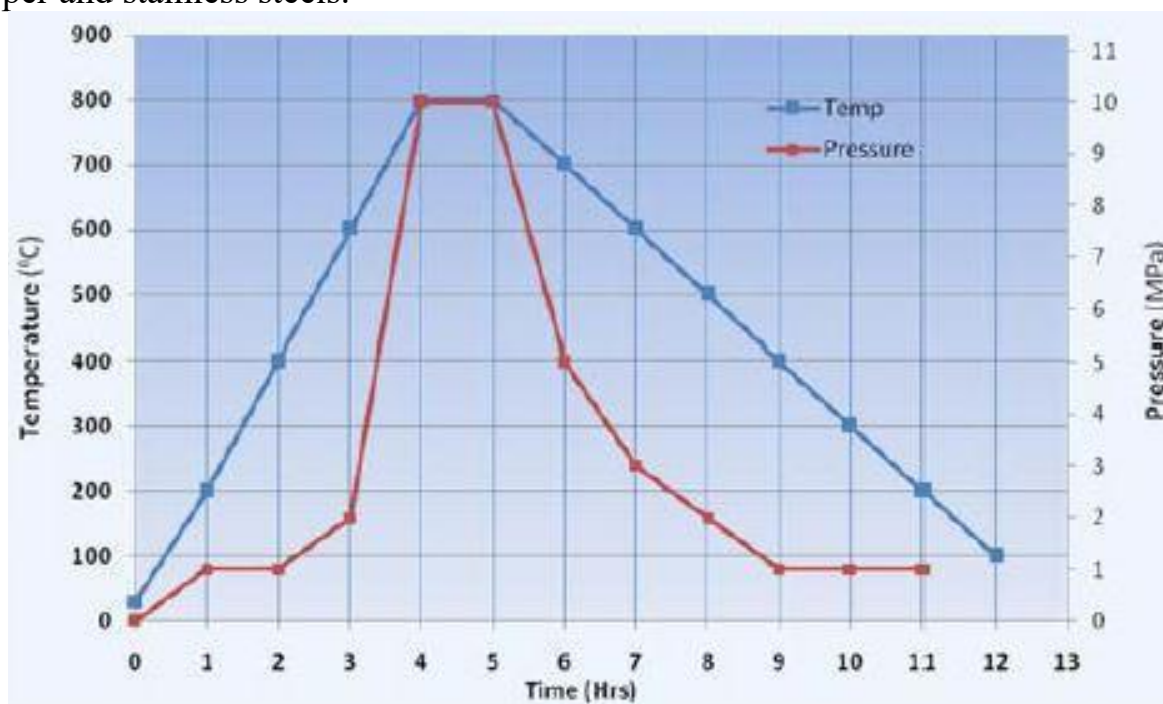


Fig. 3. Pressure, temperature and time of diffusion welding copper and stainless steels

УДК 669.14.018.25:620.18:539.374

## LASER WELDING (Лазерне зварювання)

*Цуман А., студент  
Науковий керівник – Афтандіянц Є.Г., д.т.н., проф.*

*Національний університет біоресурсів і природокористування України*

The term laser is an acronym for Light Amplification by Stimulated Emission of Radiation. A laser beam is a powerful, narrow, monochromatic and directional beam of electromagnetic radiation. Often, these beams are within the visible spectrum

of light. A laser device excites the atoms in a losing medium. The electrons of these atoms move to a higher orbit, then release photons, creating a laser beam.

A laser beam is produced inside of the Ruby Crystal. The Ruby Crystal is made of aluminium oxide with chromium dispersed throughout it. Which is forming about 1/2000 of crystal, this less than natural ruby. Silver coated mirrors are fitted internally in the both side of crystal. The one side of mirror has a tiny hole, a beam is come out through this hole.

A flash tube is placed around the Ruby Crystal, which is filled with xenon inert gas. The flash is specially designed such as which is made flash rate about thousands flashes per seconds (fig. 1).

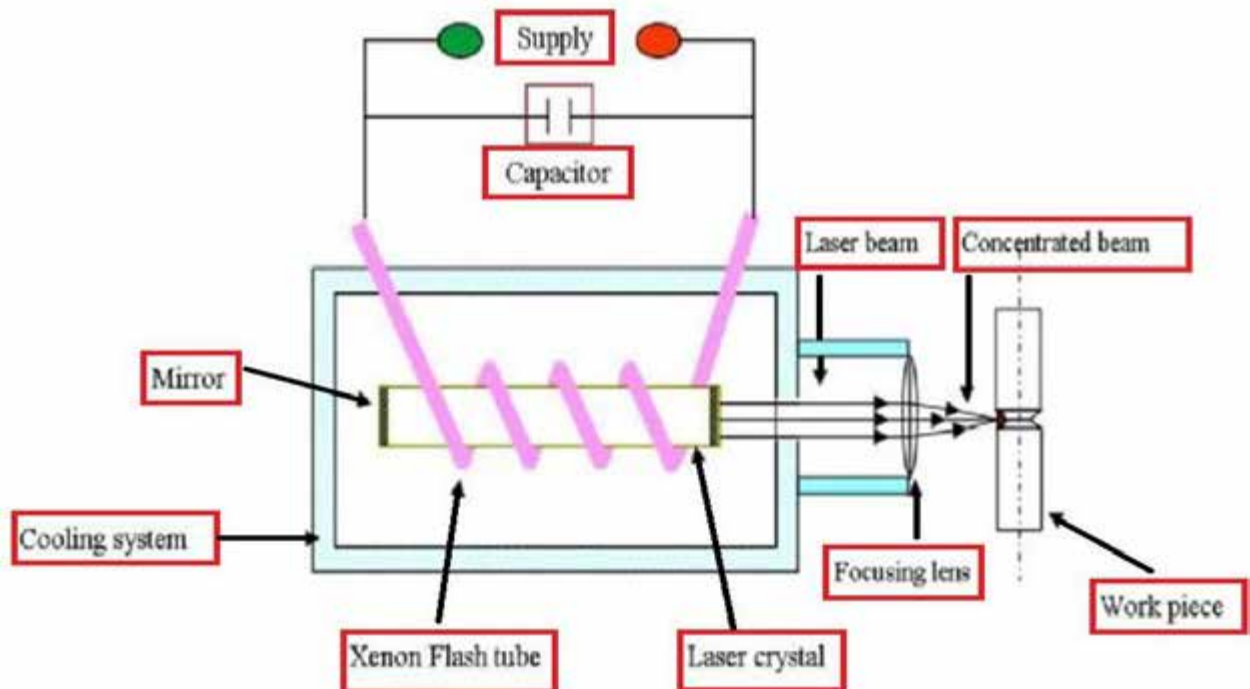


Fig. 1. Schematic diagram of Laser welding

The electrical energy is converted into light energy; this is worked by flash tube. The capacitor is provided for storage the electrical energy and supply the high voltage to flash tube for performed appropriately. The electrical energy discharged from capacitor and xenon transform the high energy into white flash light rate of 1/1000 per second.

#### *Types of laser Beam*

Types of lasers include gas (fig. 2a), liquid (fig. 2b) and solid (fig. 2c).

1. Gas lasers excite the electrons in gases, such as helium, neon, cadmium, carbon dioxide and nitrogen.

2. Liquid lasers include the dye laser, which uses organic dye molecules in liquid form to produce a wavelength of radiation that can be tuned.

3. Solid lasers include the ruby laser, which uses a precious stone to produce a beam of red light.



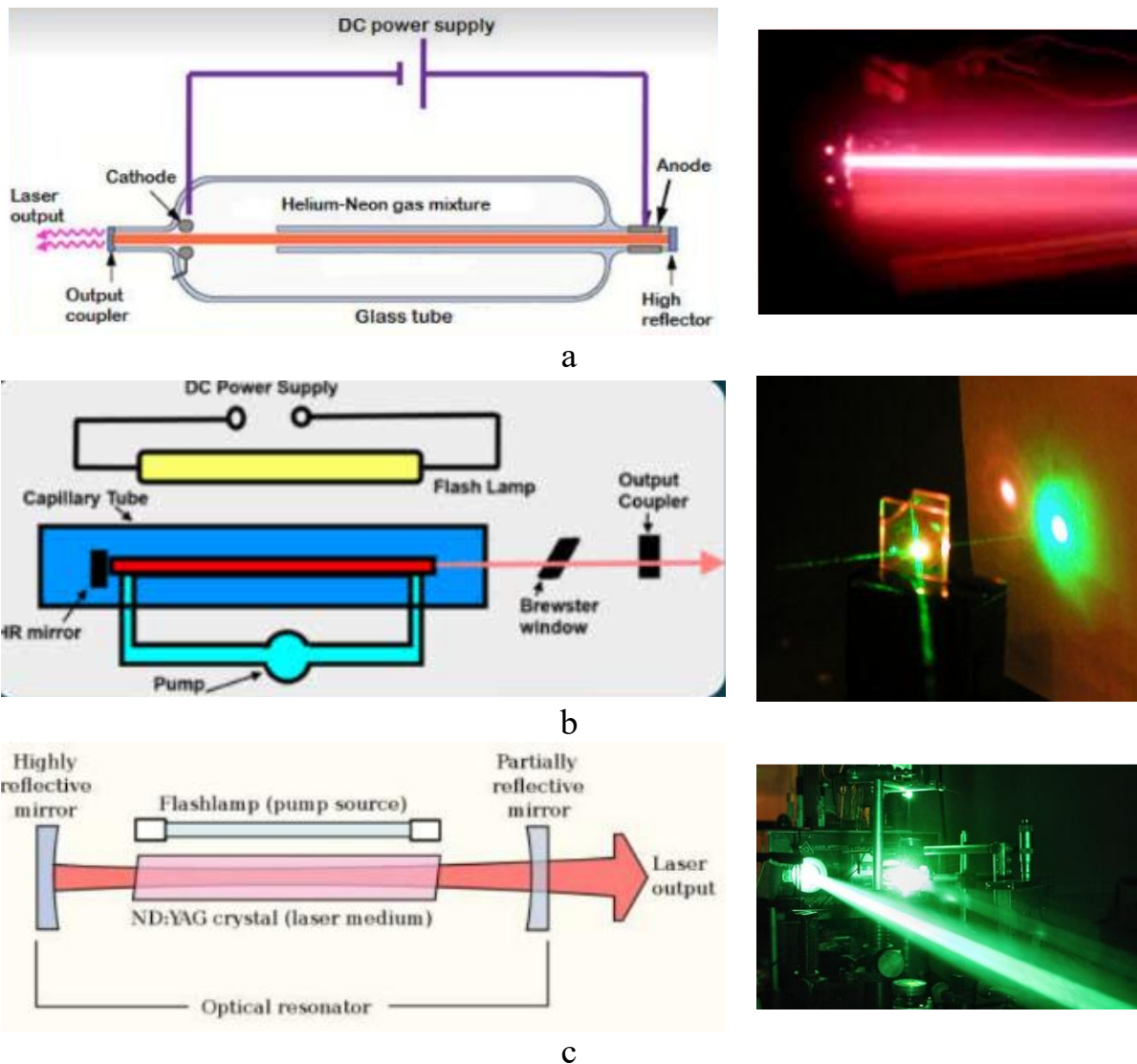


Fig. 2. Gas (a), liquid (b) and solid (c) lasers

### *Mechanics of LBW*

Laser beam welding (LBW) is a welding process which produces coalescence of materials with the heat obtained from the application of a concentrate coherent light beam impinging upon the surfaces to be joined (fig. 3).

It is achieved through following phases:

1. Interaction of laser beam with work material.
2. Heat conduction and temperature rise.

3. Melting vaporization and joining : When using the laser beam for welding, the electromagnetic radiation impinges on the surface of the base metal with such a concentration of energy that the temperature of the surface is melted vapor and melts the metal below.

### *LBW Process Advantages:*

- Works with high alloy metals without difficulty
- Can be used in open air
- Can be transmitted over long distances with a minimal loss of power
- Narrow heat affected zone
- Low total thermal input

- Welds dissimilar metals
- No filler metals necessary
- No secondary finishing necessary
- Extremely accurate
- Produces deep and narrow welds
- Low distortion in welds
- High quality welds
- Can weld small, thin components
- No contact with materials

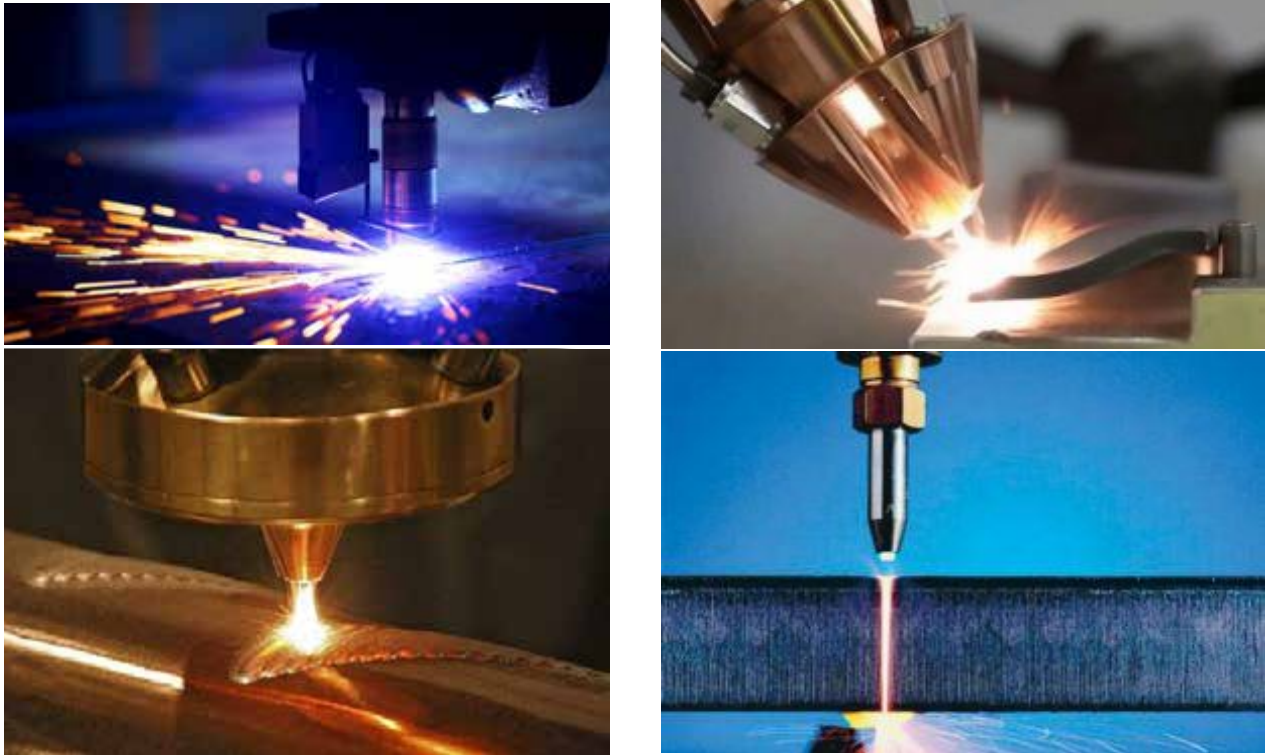


Fig. 3. Mechanics of Laser beam welding

УДК 669.14.018.25:620.18:539.374

## **ВАЖКІ БЕТОНИ**

*Байбара В.І., студент*

*Науковий керівник – Афтанділянц Є. Г., д.т.н., проф.*

*Національний університет біоресурсів і природокористування України*

Важкий бетон - це одне з найактуальніших будматеріалів в умовах сучасного будівництва. Його застосовують в основному при зведенні збірних конструкцій і монолітних будівель. Також з матеріалу такого типу, доповненого арматурою, виробляють безліч залізобетонних виробів: дорожні плити, блоки для фундаменту, плити перекриття, палі та ін.

Цемент як природна речовина існував ще до початку історії людства — більше 12-ти мільйонів років тому. Справжню бетонну суміш вперше створили саме римляни. У третьому столітті до нашої ери вони виявили, що змішування вулканічного попелу з вапняним розчином, піском і гравієм створювало тверда речовина, схоже на сучасний бетон. Після того, як у бетонну суміш додали тваринний жир, молоко і кров, речовина була названа «Пуццоланом». Пуццолан використовували для будівництва Аппіанського шляху, Колізею і Пантеону, а також Пон-дю-Гар в Південній Франції. Після падіння Римської імперії якість цементувальних матеріалів швидко погіршилась, тому що більшість людей стало цікавити будівництво кам'яних споруд. Техніка виготовлення пуццоланового цементу була втрачена, забута і не з'являлася до середини середньовіччя. Однак, в 1414-му році були виявлені рукописи римського архітектора Поліо Вітрувіуса, в яких містилася інформація про пуццолан. Так у громадськості знову з'явився інтерес до бетону, і вже в 1163-му році Фра Джокондо використав пуццолановий цемент для будівництва пірса Пон-де-Нотр-Дам в Парижі.

*За питомою масою бетони поділяються на :*

- ✘ Особливо важкі бетони (більше 2500 кг/м<sup>3</sup>)
- ✘ Важкі бетони (від 2200 до 2500 кг/м<sup>3</sup>)
- ✘ Полегшені бетони (від 1800 до 2200 кг/м<sup>3</sup> )
- ✘ Легкі бетони (від 500 до 1800 кг/м<sup>3</sup>)
- ✘ Особливо легкі (менше 500 кг/м<sup>3</sup>)

*Важкий бетон*

*Мінеральне в'язучий*

Його вибір визначається заданою міцністю бетону, умовами його твердіння і експлуатації. Враховується мінералогічний склад цементу, тонкість помелу, зміст добавок.

*Вода*

Використовується питна, природна, що не містить шкідливих домішок (мінеральних або органічних кислот, жирів, сульфатів) вода. У лабораторних умовах визначають придатність води.

*Пісок*

Суміш зерен крупністю 0.14-5 мм. Якість піска визначається вмістом в ньому шкідливих домішок (глинисті, пилоподібні, сірчаноокислий з'єднання), зміст яких не повинно перевищувати встановлених ГОСТами норм.

За крупності піски підрозділяють: великий пісок, середній, дрібний і дуже дрібний.

*Крупний заповнювач*

Гравій - пухка суміш гірських порід. Розмір зерен 5-70 мм. Гравій буває: гірським, річковим, морським. Щебінь отримують шляхом дроблення гірських порід. Має розмір зерен такий же як у гравію.

*Особливо важкі бетони* використовуються для спорудження спеціальних захисних споруд. Важкі бетони застосовують для будівництва будинків, промислових, гідротехнічних об'єктів.

Особливо важкі бетони з середньою щільністю більше 2500 кг / м<sup>3</sup> виготовляють на особливо важких заповнювачах (магнетит, лимон, бариті, чавунної дробу, обрізаннях стали).

Всі монолітні елементи будівель і споруд виготовляються саме з важкого бетону (рис. 1).



Рис. 1. Процес виготовлення виробу (а) та блоки (б) з важкого бетону

Менш ефективний важкий бетон тільки для улаштування стін і легких перекритій, тобто там, де необхідно знизити тепловтрати за рахунок застосовуваних матеріалів.

УДК 669.14.018.25:620.18:539.374

## ЛЕГКІ БЕТОНИ

*Байбара І.І., студент*

*Науковий керівник – Афтандіяню Є.Г., д.т.н., проф.*

*Національний університет біоресурсів і природокористування України*

Легкі бетони - це група бетонів з об'ємною масою менше 1800 кг / м<sup>3</sup>.

До неї відносяться бетони на пористих заповнювачах (керамзитобетон, аглопоритобетон, перлитобетон), бетони на легких органічних заповнювачах (арболит, костробетон, полістиролбетон) і пористі бетони (пінобетон, газобетон).

В якості в'язучих можуть бути використані цемент, гіпс, магнезійний цемент.

Застосовуються легкі бетони для виготовлення стінових панелей і блоків, плит для покриттів та каміння для укладання стін.

Легкий бетон — ефективний матеріал, який має велику перспективу (рис. 1).





Рис. 1. Вироби з легкого бетону

*Легкі бетони* (на початку ХХ ст. їх називали «теплі бетони») — бетони з щільністю менше  $1800 \text{ кг/м}^3$  — універсальний матеріал, який огорожують і несуть конструкції житлових і промислових будинків.

Свідчення їхнього застосування відомі ще в Древньому Римі. Для одержання легких бетонів тоді використовували природний заповнювач — пемзу і туф, а також бій кераміки і навіть порожні глиняні посудини. У даний час ці заповнювачі також використовують як місцевий матеріал.

Широкий розвиток легкі бетони одержали в другій половині ХХ ст., коли почалося масове виробництво штучних пористих заповнювачів: керамзиту, аглопориту, жужільної пемзи та ін.

З легких бетонів виготовляють більшість стінових панелей і блоків, плит покрівельних покриттів та каменів для укладання стін. Термін «легкі бетони» поєднує велику групу різних за складом, структурою і властивостями бетонів.

#### *Сировинні матеріали*

Для приготування легких бетонів застосовують портландцемент, швидкотверднучий портландцемент і шлакопортланд-цемент.

Як заповнювачі для легких бетонів використовують природні та штучні сипкі пористі матеріали з насипною щільністю не більше  $1200 \text{ кг / м}^3$  при крупності зерен до 5 мм (пісок) і не більше  $1000 \text{ кг / м}^3$  при крупності зерен 5 ... 40 мм (щебінь, гравій).

При класифікації пористих заповнювачів розрізняють пористі природні наповнювачі вулканічні і осадкові, а штучні — спеціально виготовлені і тверді відходи промисловості.

До групи заповнювачів вулканічного походження входять щебінь і пісок з пемзи, вулканічного шлаку, туфу і туфів лав. До заповнювачів осадового походження відносяться пористі вапняки і вапняні туфи, опока, трепел, діатоміти. В якості пористих заповнювачів можуть служити різноманітні відходи промисловості: паливні й металургійні шлаки, зола-винесення і золошлакові суміші, керамічний болт.

Спеціально виготовленими пористими заповнювачами є керамзит і його різновиди (шунгізіт, зольний гравій, глинозольний керамзит і ін), аглопорит, жужільна пемза, гранульований шлак, спучений перліт та вермикуліт. Їх спеціально отримують у вигляді гравію, щебеню і піску в результаті термічної обробки глинистого, зольного, шлакового та іншого мінеральної сировини.

*За призначенням легкі бетони підрозділяються на:*

- Конструкційні, в тому числі конструкційно-теплоізоляційні, до яких додатково пред'являються вимоги по теплопровідності;
  - Спеціальні (жаростійкі за ГОСТ 20910, хімічно стійкі за ГОСТ 25246 та ін.)
  - Теплоізоляційні, основне призначення яких забезпечувати необхідне термічний опір огорожувальної конструкції; об'ємний вага їх менше 500 кг / м<sup>3</sup> коефіцієнт теплопровідності до 0,2 ккал / м \* ч \* радий.
  - Конструктивні, призначені сприймати значні навантаження в будівлях і спорудах; об'ємна вага їх 1400-1800 кг/м<sup>3</sup>, марка за міцністю не менше 50, морозостійкість не нижче 15.
  - Конструктивно-теплоізоляційні, в яких поєднуються властивості попередніх видів легких бетонів; об'ємний вага їх 500-1400 кг / м<sup>3</sup> коефіцієнт теплопровідності не більше 0,55 ккал / м • год • град, марка за міцністю не менше 35.

*Бетони на пористих заповнювачах*

Легкі бетони на пористих заповнювачах отримують все більше застосування в будівництві завдяки меншій щільності при достатньо великій міцності і ряду порівняно сприятливих властивостей — підвищеної довговічності, морозостійкості, водонепроникності, вогнестійкості, корозійної стійкості, меншою теплопровідності і вартості. Мінеральна переважно основа легких бетонів і відсутність шкідливих домішок у використовуваному сировину робить ці бетони екологічно чистими і безпечними. Це дозволяє успішно використовувати їх в несучих збірних і монолітних конструкціях — колонах, плитах перекриттів, балках, фермах, прогонових будовах мостів, куполах, каркасах висотних будівель, силосах, елеваторах та ін спорудах; в огорожувальних конструкціях — одношарових зовнішніх стінах та плитах покриттів, а також як теплозвукоізоляційного матеріалу в шаруватих конструкціях зовнішніх стін і плит покриттів, міжквартирних перегородках і міжповерхових перекриттях.

Широта і ефективність застосування легких бетонів на пористих заповнювачах у різних областях будівництва пов'язані з розвитком виробництва, удосконаленням технології і підвищенням якості пористих заповнювачів, в тому числі з нетрадиційних сировинних джерел.

*Поризований бетон*

Поризований бетон відрізняється від звичайного щільного легкого тим, що містить у цементному камені велику кількість повітряних пор. Поризації дозволяє знизити щільність і поліпшити теплотехнічні властивості легкого бетону на пористих заповнювачах. Вона корисна у випадку, коли відсутня пористий пісок або властивості заповнювачів не дозволяють, отримати легкий бетон заданої щільності.

У будівництві знаходить переважне застосування поризований керамзитобетон М35, 50, 75 і 100. Бетон марки 35 використовується для пристрою теплоізоляційного шару багатошарових огорожувальних конструкцій, бетон більш високих марок — для одношарових виробів.



Щільність поризованого керамзитобетону становить 700-1400 кг / м<sup>3</sup>. З поризованого керамзитобетону виготовляють стінові панелі і великі блоки, суміщені покрівельні плити та інші вироби.

#### *Ніздрюватий бетон*

Ніздрюватий бетон — це особливо легкий бетон з великою кількістю (до 85% від загального обсягу бетону) дрібних і середніх повітряних осередків розміром до 1 ... 1,5 мм. Пористість комірчастим бетонів надається:

1. механічним шляхом, коли тісто, що складається з в'язучого та води, часто з добавкою дрібного піску, змішують з окремо приготовленою піною; при отвердіння виходить пористий матеріал, званий пінобетоном;

2. хімічним шляхом, коли в в'язуче вводять спеціальні газоутворюючі добавки; в результаті в тесті в'язучого речовини відбувається реакція газоутворення, воно спучується і стає пористим. Затверділий матеріал називають газобетоном.

Комірчасті бетони по щільності і призначенням ділять на теплоізоляційні з щільністю 300 ... 600 кг / м<sup>3</sup> та міцністю 0,4 ... 1,2 МПа і конструктивні з щільністю 600 ... 1200 кг / м<sup>3</sup> (частіше всього близько 800 кг / м<sup>3</sup>) і міцністю 2,5... 15 МПа.

УДК 669.14.018.25:620.18:539.374

## **ЯЧЕЇСТІ (НІЗДРЮВАТІ) БЕТОНИ**

*Білецький В.Л., студент*

*Науковий керівник – Афтандіянц Є.Г., д.т.н., проф.*

*Національний університет біоресурсів і природокористування України*

*Ніздрюватий бетон* (комірчастий бетон, пористий бетон) утворюються внаслідок затвердіння поризованої суміші в'язучого, кремнеземистого компонента й води. Внаслідок цього утворюються пори, об'єм яких може досягати до 85% від усього об'єму бетону.

Застосування в будівництві багат шарових теплоізоляційних блоків вважається найбільш вигідним, так як даний будівельний матеріал має високу ступінь міцності, естетичну привабливість, невелику вагу. Саме невелика вага теплоізоляційних блоків робить їх легкими в транспортуванні і монтажі.

*За способом поризації бетони розрізняють.*

Пінобетони – утворюються шляхом замішування зі стійкою піною

Газобетони – утворюється шляхом введення до сировинної суміші газоутворювача

*Сфера застосування газобетону*

Газобетон застосовується в житловому, комерційному та промисловому будівництві. Основний обсяг споживання займають будівельні (стінові й перегородкові блоки).

В малоповерховому індивідуальному будівництві самонесуча здатність газобетонних блоків дозволяє використовувати їх як матеріал для зовнішніх стін будинків невеликої поверховості (в середньому до трьох поверхів). При будівництві багатоповерхових каркасно-монолітних будинків, коли блоки відіграють роль огорожувальних конструкцій, поверховість практично не обмежена.

*За призначенням бувають:*

- конструкційний – щільність від 1000 до 1200 кг/куб. м.
- Він відрізняється високою міцністю і підходить для зведення несучих стін;

- конструкційно-теплоізоляційний – щільність 500--900 кг/куб.

- Годиться для малоповерхового будівництва, так як міцність блоків нижче. Але зате теплоізоляційні якості вище;

- теплоізоляційний – щільність від 300 до 500 кг куб. м. Служить теплоізолятором при зведенні подвійних стін, наприклад. Може використовуватися для перегородок.

*За умовами твердіння:*

Автоклавні — тверднуть в середовищі насиченої пари при тиску вище атмосферного;

Неавтоклавні — тверднуть в природних умовах, при електропрогріванні або в середовищі насиченої пари при атмосферному тиску.

Види бетонних виробів наведено на рис. 1.

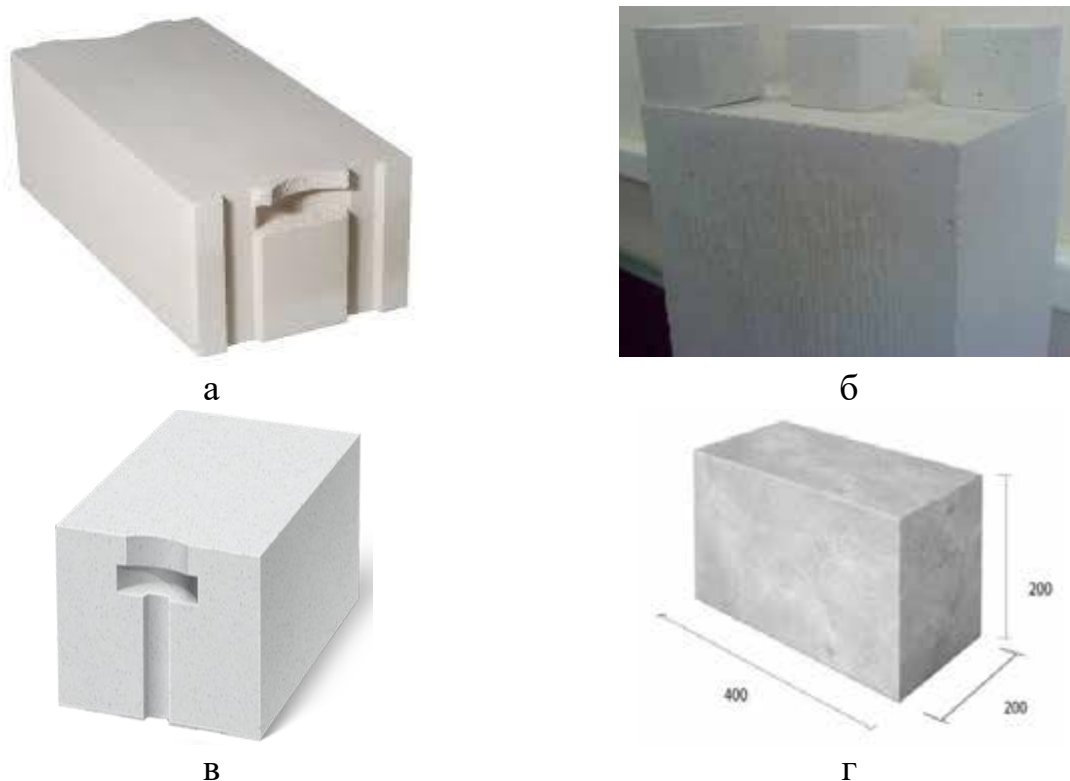


Рис. 1. Види бетонних виробів  
а-газобетон, б-ніздрюватий бетон, в-автоклавний блок, г-неавтоклавний блок.

*Недоліки газобетону:*

*Крихкість.* Стіни з газобетону не бояться механічних пошкоджень, але окремі блоки вимагають до себе дбайливого ставлення. Вони просто можуть розкришитися або надломитися.

*Гігроскопічність.* Пориста структура є одночасно перевагою і недоліком газоблоків, адже вони забезпечують циркуляцію повітря, але дуже швидко вбирають вологу. Впоратися з проблемою допоможе тільки правильна внутрішня і зовнішня обробка.

*Особлива система кріплень.* Через технологічні особливості даного будівельного матеріалу до нього не підходять традиційні елементи кріплення. Додаткові компоненти не входять в комплект для продажу. Тому є досить відчутні додаткові витрати, про які рекламщики замовчують.

УДК 669.14.018.25:620.18:539.374

## ПІНОБЕТОНИ

*Білозуб Є. Ю., студент*

*Науковий керівник – Афтандіяню Є.Г., д.т.н., проф.*

*Національний університет біоресурсів і природокористування України*

Пінобетон - це бетон, що має пористу структуру за рахунок замкнутих пір (бульбашок) по всьому об'єму, що отримується в результаті затвердіння розчину, що складається з цементу, піску, води і піноутворювача (рис. 1). У таких бетонах частина пір створюється піноутворювальними добавками.

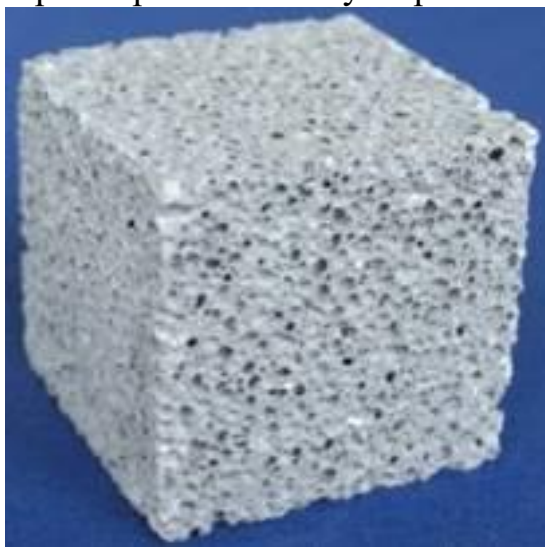


Рис. 1. Блок з пінобетону

Міцність пінобетону залежить від об'ємної ваги, виду і властивостей вихідних матеріалів, а також від режимів їх обробки і вологості бетону.

У 30-х роках ХХ століття, випадково додавши «мильний корінь» в цементний розчин, пінобетон «відкрили» заново, але широкого поширення він

знову не отримав. Тоді зіграли свою роль загальна нестабільність у світі, Друга світова війна, а також низька вартість енергоносіїв в післявоєнні роки.

У 60-70-ті роки пінобетон застосовувався в СРСР, але, в основному, це був автоклавний пінобетон. Було побудовано кілька заводів з виробництва автоклавного пінобетону, але в силу номенклатурних причин і знову-таки невисоких цін на енергоносії всередині СРСР переваги пінобетону перед залізобетоном були неочевидні, що призвело до чергового «забуття» пінобетону.

У 90-і роки ХХ століття бурхливе зростання цін на енергоносії і розвиток будівельної галузі привели будівельників знову до відкриття «нового добре забутого старого» спочатку в Європі, а до кінця 90-х-початку ХХІ століття і в Україні.

На даний момент виробництво і пропозицію пінобетону відстає від наростаючого лавиноподібно попиту на нього. Найчастіше пінобетон застосовується у вигляді пінобетонних блоків, або «піноблоків», також існують технології монолітної заливки надлегкого пінобетону як утеплювач.

#### *Виготовлення пінобетону*

##### *1) Класичний.*

За цим методом спочатку готують цементне тісто або цементно-піщаний розчин, а потім в нього додають спеціально приготовлену піну з пеногенератора. Розчин в бетоносмесителі змішується з піною, і виходить пінобетонна суміш, яка при подальшому твердінні утворює пінобетон. Цей спосіб можна назвати найбільш відпрацьованим і надійним. Для даного методу зазвичай використовуються органічні піноутворювачі, змішувачі з поліпшеним змішуванням компонентів і спеціальні піногенератори (рис. 2).



Рис. 2. Класична технологія виготовлення пінобетону

##### *2) Суха мінералізація.*

За цим методом пінобетонна суміш виходить при поєднанні сухих компонентів з нізкократной піною, безперервно подається піногенератором.

При цьому утворюється стійка пінобетонна суміш з малою кількістю вільної води. На поверхні пінних бульбашок осідають дрібні частки твердої фази. Висока насиченість пар поверхні розділу «повітряна пора – дисперсійна середа» зумовлює формування гладкою глянцевою поверхні стінок пір. Такий метод часто використовується при безперервній технології виробництва пінобетону. Для даного методу використовується піноутворювач, піногенератори і спеціальні змішувачі (рис. 3а).

### 3) Баротехнологія.

За цим методом пінобетон виходить під надлишковим тиском суміші всіх сировинних компонентів. У баросмеситель спочатку заливається вода з піноутворювачем, потім подаються всі компоненти. Після цього в баросмеситель компресором нагнітається повітря, створюючи тиск всередині. Пінобетонна суміш, отримана в пено баробетонсмесителе, під тиском транспортується з змішувача до місця укладання в форми або монолітну конструкцію. Для даного методу використовуються синтетичні піноутворювачі і спеціальні бароустановки (рис. 3б).



а



б

Рис. 3. Виготовлення пінобетону за методом сухої мінералізації (а) та баротехнології (б)

### Використання піноблоків

Пінобетон використовується: в будівництві будинків, в монолітному житловому будівництві для тепло- і звукоізоляції стін, дахів, підлог, плит, перекритій (рис. 4). Такий пінобетон називають монолітним. Піноблок - це будівельний блок, який отримують з пінобетону. Цей матеріал, який отримав широке поширення в останні роки, насправді відомий ще з XIX століття. Можна сказати, що пінобетон в даний момент переживає «друге народження».



Рис. 4. Використання піноблоків



## ВИЗНАЧЕННЯ РІВНЯННЯ РУХУ РІЖУЧОГО ЗУБЦЯ КРУГЛОЇ ПИЛКИ КРЯЖУВАЛЬНОГО ВЕРСТАТУ МАЯТНИКОВОГО ТИПУ

Савченко Б. П., студент  
Науковий керівник – Гобела В.М., асистент

Національний лісотехнічний університет України

Під час роботи кряжувальних верстатів робочий інструмент виконує складний обертовий рух. Безпосередньо, знімання стружки, під час пиляння, виконується зубцями пилки.

На рис. 1 зображено розрахункову схему для визначення траєкторії руху ріжучих зубців круглих пилок, на якій умовно зображено положення, в якійсь момент часу, довільно вибраного ріжучого зубця  $M$  і наступного  $M_1$ .

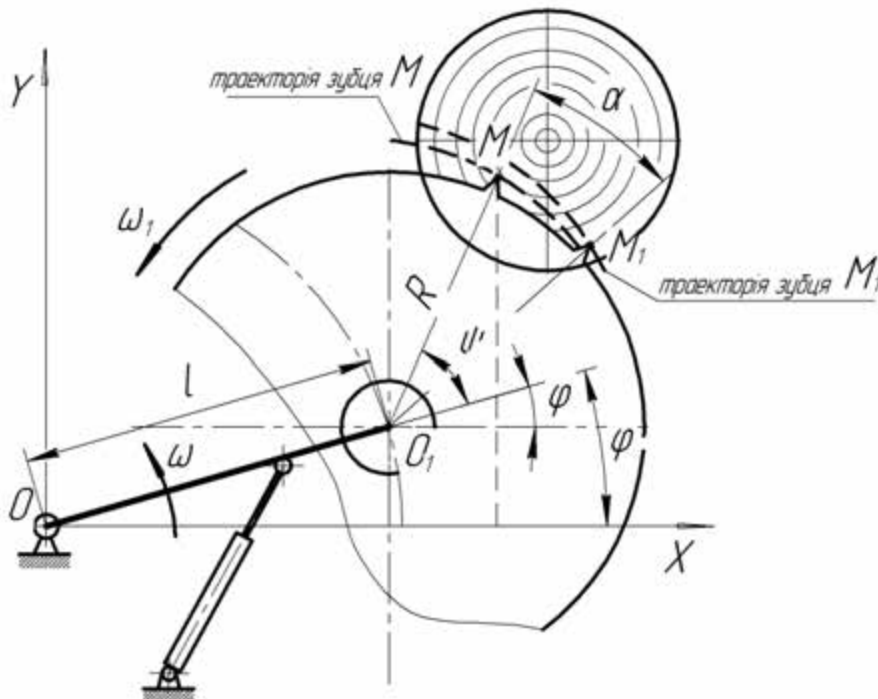


Рис. 1. Розрахункова схема для визначення траєкторії руху ріжучих зубців круглих пилок кряжувальних верстатів

Подача пилки на колоду проходить під час обертання маятника  $(O, O_1)$  з кутовою швидкістю  $\omega$  навколо нерухомого шарніру  $O$ , по коловій орбіті. Для забезпечення різання диск пилки повинен обертатися відносно рухомого шарніру  $O_1$  з кутовою швидкістю  $\omega_1$ . Приймаємо довжину маятника рівною  $l$ , а радіус верхівок зубців пилки –  $R$ . Прийняту систему координат  $XOY$  розмістимо таким чином, щоб початок координат (т.  $O$ ) співпадав з точкою повертання маятника. При цьому будемо вважати, що в початковий момент часу маятник  $(O, O_1)$  і радіус  $(O_1, M)$  зубця  $M$  пилки знаходяться на осі  $OX$ , а обертання



маятника і пилки відбувається проти годинникової стрілки. Тоді координати довільно вибраного зубця  $M$  визначимо за формулами:

$$X = l \cdot \cos \varphi + R \cdot (\varphi + \psi) \quad (1)$$

$$Y = l \cdot \sin \varphi + R \cdot \sin(\varphi + \psi) \quad (2)$$

Враховуючи, що процес різання відбувається під час обертання пилки і її подачі на колоду (повертанні маятника) існує залежність між кутом повороту маятника  $\varphi$  і кутом повороту пилки  $\psi$ , яку можна представити у вигляді:

$$\psi = k \cdot \varphi, \text{ град} \quad (3)$$

де  $k$  – коефіцієнт який враховує залежність між кутом  $\psi$  і  $\varphi$ .

Врахувавши вираз (3) рівняння (1) і (2) запишемо у вигляді:

$$X = l \cdot \cos \varphi + R \cdot \cos[(1+k) \cdot \varphi] \quad (4)$$

$$Y = l \cdot \sin \varphi + R \cdot \sin[(1+k) \cdot \varphi] \quad (5)$$

Сутність процесу пиляння полягає в тому, що в процесі приймають участь одночасно декілька зубців. Параметричні рівняння траєкторії руху вершини наступного зубця  $M_1$  запишемо у вигляді наступної формули:

$$X = l \cdot \cos \varphi + R \cdot \cos[(1+k) - \alpha] \quad (6)$$

$$Y = l \cdot \sin \varphi + R \cdot \sin[(1+k) - \alpha] \quad (7)$$

де  $\alpha$  – кут між радіусами сусідніх зубців.

Для графічної побудови траєкторії руху зубців круглої пилки задамося вихідними умовами взятими з технічної характеристики найбільш розповсюдженого кряжувального верстату маятникового типу АЦ – 3С:  $l = 1,1$  м;  $R = 0,75$ , м.;  $n = 950$ , об/хв.;  $m = 120$ , шт.;  $V_H = 0,7 - 0,8$ , м/с.

Враховуючи можливість накладання кривих доцільно в розрахунки замість кута  $\alpha$  приймати кут  $\alpha_0$ , якій визначають за формулою:

$$\alpha_0 = i \cdot \alpha \quad (8)$$

де  $i$  – порядковий номер наступного  $i$ -го зуба для якого вираховують траєкторію руху.

Для розрахунків приймаємо градацію  $\psi$  через  $5^0$ . Графік траєкторії руху ріжучого зубця представлено на рис. 2.

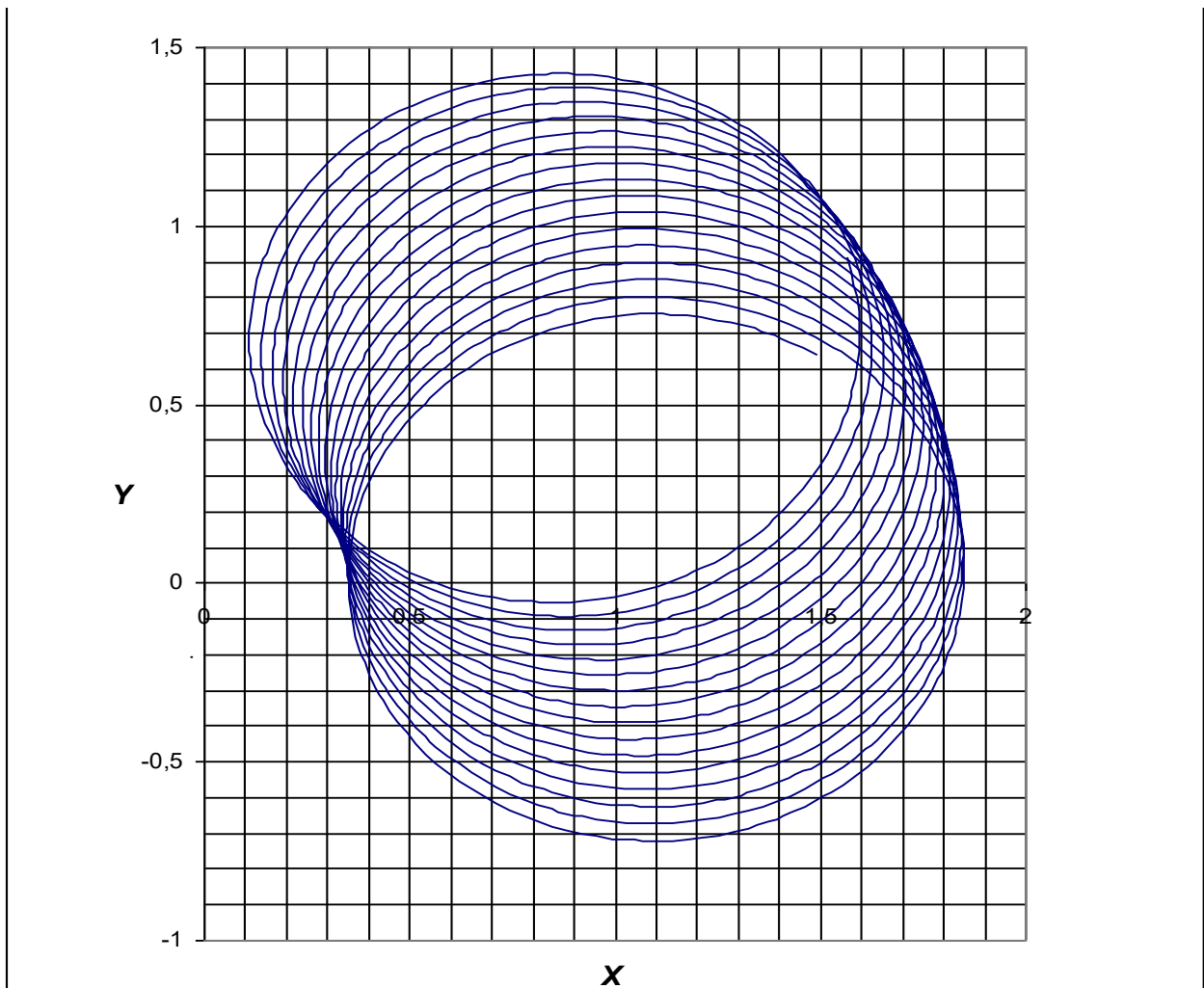


Рис. 2. Графік траєкторії руху ріжучого зубця круглої пилки кряжувального верстату маятникового типу

**Висновки.** В результаті здійсненого дослідження встановлено, що зубці круглої пилки кряжувального верстату маятникового типу під час роботи рухаються по складній траєкторії, представлений на рис. Кожний наступний зубець пилки повторює рух попереднього, але його траєкторія зміщується по відношенню до попередньої на величину повороту маятника, за час протягом, якого пилка повернеться на кут  $\alpha$ . Запропоновано рівняння для розрахунку траєкторії руху зубців круглих пилок, що доцільно застосовувати для будь-яких геометричних параметрів та для різних умов роботи кряжувальних верстатів маятникового типу.

#### Список використаних джерел:

1. Кірик М. Д. Механічне оброблення деревини та деревних матеріалів / М. Д. Кірик - Львів : КН, 2006. 412 с.
2. Шкіря Т. М. Машини і обладнання лісосічних та лісоскладських робіт: підручник / Т. М. Шкіря. – Львів: “Тріада плюс” 2005. – 436 с.
3. Васильев Г. М. Раскряжевка хлыстов на стационарных установках : монография/ Г. М. Васильев, Т. А. Туровський, В. С. Саплин - Москва : Лесная промышленность, 1971 р. 160 с.

## ДОСЛІДЖЕННЯ НАДІЙНОСТІ ДВИГУНІВ І ЇХ ЕЛЕМЕНТІВ ПРИ ЕКСПЛУАТАЦІЇ І РЕМОНТІ

*Мірошниченко А.С., студент  
Науковий керівник – Сиволапов В.А., ст.викл.*

*Національний університет біоресурсів і природокористування України*

Питання дослідження та визначення рівня надійності двигунів вирішуються ефективніше і простіше, якщо деталі і вузли досліджуваних об'єктів умовно об'єднати в групи з близької довговічністю. Критеріями для об'єднання деталей і вузлів в групи є: рівень довговічності, який планується в залежності від призначення, складності та вартості елементів конструкції з урахуванням їх функціонального зв'язку; рівень трудомісткості заміни деталі або усунення її відмови.

Проведені дослідження визначили доцільність об'єднання деталей і вузлів двигунів в три основні групи, які відрізняються між собою як діапазоном довговічності, так і трудомісткістю усунення відмови.

Перша група - деталі та вузли, довговічність яких більше або дорівнює довговічності двигуна до списання. Відмови деталей даної групи вимагають для свого усунення повного розбирання двигуна, тобто характеризуються максимальною трудомісткістю усунення несправності, і є одним з критеріїв необхідності проведення капітального ремонту двигуна.

Всі деталі даної групи відновлюються, тобто при капітальному ремонті двигунів допускається їх відновлювати шляхом шліфування, притирання, розточування, нарощування та інше. Рівень надійності деталей і вузлів цієї групи оцінюється параметрами довговічності до ремонту і безвідмовності до заміни. До цієї групи належать базові і основні деталі двигуна: блок циліндрів, колінчастий і розподільчий вали, головки блоку, картер маховика, шатуни та інші.

Друга група - деталі та вузли, довговічність яких менше довговічності двигуна до списання, але більша або дорівнює його довговічності до першого капітального ремонту. Заміна деталей даної групи здійснюється, як правило, не раніше першого капітального ремонту двигуна.

Рівень надійності деталей і вузлів даної групи оцінюється параметрами довговічності і безвідмовності. До цієї групи деталей і вузлів відносять в більшості випадків поршні, гільзи, підшипники розподільчого вала, деталі механізму газорозподілу, сальникові ущільнення колінчастого вала і ін.

Третя група - деталі та вузли, ймовірна довговічність яких нижче довговічності двигуна до першого капітального ремонту. При досягненні двигуном певного напрацювання деталі і вузли цієї групи допускається відповідно до рекомендацій заводу-виготовлювача або за ознакою незадовільної їх роботи замінювати або ремонтувати, щоб підтримати заданий

рівень надійності і ресурсу двигуна в цілому. Надійність деталей і вузлів цієї групи оцінюється як параметрами безвідмовності, так і параметрами довговічності.

До числа деталей цієї групи відносяться: поршневі кільця, вкладиші корінних і шатунних підшипників колінчастого вала, прокладки головок блоку, деталі ущільнення водяного насоса, розпилювачі форсунок та інші. Для заміни деталей другої і третьої груп потрібне часткове розбирання двигуна. Роботи з усунення відмов можуть проводитися безпосередньо на тракторі (без зняття двигуна) і, отже, характеризуються значно меншою трудомісткістю в порівнянні з трудомісткістю заміни або відновлення деталей першої групи.

Першим етапом дослідження надійності двигунів і деталей кожної з груп є визначення кількісних показників їх довговічності, безвідмовності і ремонтпридатності, розрахунок яких базується на використанні основних положень теорії ймовірностей і математичної статистики. За отриманими показниками оцінюють рівень фактичної надійності двигунів щодо заданих нормативів, а також зіставляють рівні надійності деталей всередині кожної з груп. Результати цього етапу - основа для більш глибокого аналізу результатів експлуатації двигуна в реальних умовах.

Подальше дослідження ведеться в двох напрямках:

- 1) визначення рівня довговічності і безвідмовності двигунів по роках випуску в ідентичних умовах експлуатації;
- 2) спільний аналіз рівня надійності двигунів і умов їх експлуатації для визначення впливу окремих експлуатаційних факторів або їх комплексу на надійність двигунів.

До основних експлуатаційних факторів відносяться кліматичні і польові умови, швидкісні і навантажувальні режими, тепловий режим роботи і його стабільність, паливно - мастильні матеріали та охолоджувальні рідини, число циклів включення (виключення) режимів, система , періодичність та рівень технічного обслуговування, а також якість ремонту. Облік цих факторів вимагає проведення в експлуатуючих організаціях спеціальних досліджень, що здійснюється дослідниками відповідно до розроблених для цього програм.

Дослідження по виявленню комплексу показників довговічності і безвідмовності дозволяють:

- 1) оцінити ефективність впроваджених конструкторско-технологічних заходів по двигуну в цілому і його елементів;
- 2) виявити вплив навантаження двигуна на його надійність за питомою експлуатаційною витратою палива;
- 3) зіставити рівень надійності двигунів за роками їх випуску і порівняти з рівнем надійності двигунів інших марок.

## ПОЛІМЕРЦЕМЕНТНІ БЕТОНИ

*Боярчук А. М., студентка*  
*Науковий керівник – Афтандіяню Є. Г., д.т.н., проф.*

*Національний університет біоресурсів і природокористування України*

*Полімерцементні бетони* – це цементні бетони, в яких на стадії приготування суміші вводиться полімерна добавка.

Добавки являють собою водні дисперсії (емульсії, латексні чи сухі порошки полімерів).

Цементно-полімерні бетони характеризуються наявністю двох активних складових: мінерального в'язучого і органічної речовини (рис. 1).



Рис. 1. Блок з полімерцементного бетону

Властивості полімерцементного бетону залежать від властивостей і співвідношення неорганічної і полімерної в'язучої речовини, водоцементного відношення, виду і якості заповнювачів, режиму твердіння.

Основним структуроутворюючим компонентом полімерцементних бетонів є *цемент*. Найчастіше застосовують портландцемент і глиноземистий цемент. Як полімерні добавки в цементні композиції найчастіше вводять полівінілацетат (ПВА), латекси і т.д.

*Звичайно ПВА* застосовується у вигляді емульсії (ПВАЕ), що містить близько 50% сухої речовини і добавки полівінілового спирту як емульгатора. Останнім часом у складах сухих будівельних сумішей використовують модифікований ПВА у вигляді дисперсійних порошоків.

*Латекси* являють собою водну дисперсію натурального або синтетичного каучуку.

*Приготування* полімерцементних бетонних сумішей здійснюється в бетонозмішувачах примусової дії, добавки вводяться разом з водою

замішування. Використання водорозчинних полімерів приводить також до підвищення рухливості сумішей. Заповнювачами для полімерцементних бетонів служать кварцові або подрібнені піски, а також щебінь міцних і щільних гірських порід крупністю не більше 20 мм. На відміну від звичайних бетонів з модифікуючими добавками, які з-за малих кількостей практично не міняють структуру бетону, вміст полімеру в полімерцементних бетонах досить велике значення. Це дозволяє отримувати матеріали з новими властивостями. Вони мають меншу масу, морозостійкі, мають більшу міцність порівняно із звичайними, підвищену зносостійкість. Полімерцементні бетони поєднують високу хімічну стійкість з міцністю і довговічністю, що відкриває можливість використання їх як конструкційного матеріалу при впливі хімічно агресивних середовищ. Полімерцементні бетони широко використовуються для покриття підлог у будівлях промислового і цивільного призначення, влаштування доріг, виготовлення оздоблювальних сумішей, клеїв (як готових до застосування, так і сухих), мастик, корозійно-стійких покриттів (рис. 2).



Рис. 2. Застосування полімерцементного бетону

Полімерцементні бетони успішно використовують для виготовлення шахтних стовбурів, кільцевих колекторів підземних споруд, хімічно стійких і дренажних труб, зносостійких облицювань гідротехнічних і інших споруд.

УДК 355.695.1

## **АЛЬТЕРНАТИВА НАФТИ, ЯК ДЖЕРЕЛА ВУГЛЕВОДНІВ ДЛЯ ВИКОРИСТАННЯ В ЯКОСТІ ПАЛИВА ДЛЯ ДВИГУНІВ ВНУТРІШНЬОГО ЗГОРЯННЯ**

*Коновалов Я.Я., студент*

*Наукові керівники – Шаленко В.О., к.т.н., доц., Косминський І.В., к.т.н., доц.*

*Київський національний університет будівництва і архітектури*

Дерева поглинають з повітря вуглекислий газ, а з опадів - воду. В результаті вони утворюють вуглеводи - з'єднання з вуглецю, кисню і водню.



Коли рослина розкладається, вона залишає після себе вуглеводень. У нафти 90% речовин - саме ці вуглеводні. Завдяки горючим властивостями вуглеводню бензин і дизель, результати переробки нафти, забезпечують можливість двигунів внутрішнього згоряння працювати.

Альтернативи цьому джерелу вуглеводнів можна знайти в природі. Щоб перетворити рослинну олію в паливо, потрібно змішати її зі спиртом і каталізатором - наприклад, лугом. Приблизно так само роблять мило, але без додавання спирту. Процес виходить ефективним: якщо з тонни нафти можна отримати півтонни бензину, то з тонни рослинного олії - тисячу літрів біодизелю та гліцерин.

Одним з головних плюсів біодизелю є те, що виробляти його можна з повністю відновлюваної сировини. Наприклад, можна засіяти невикористані поля сільськогосподарського призначення топінамбуром.

Вуглекислого газу при спалюванні біодизелю виділяється трохи. При цьому в ньому немає сірки та інших домішок, здатних отруювати навколишнє середовище, які є в традиційних видах палива.

Зараз біодизель додають в бензин. Наприклад, з 2018 року в Естонії, з ініціативи Євросоюзу, в 95-й бензин і в дизель додають біокомпонент, щоб знизити забруднення навколишнього середовища.

Використовувати біодизель можна в звичайних дизельних двигунах, якщо додати в паливо присадку і змінити систему подачі з урахуванням зниженого змісту енергії в біодизелі. Але є і мінуси - застигає таке паливо при більш високій температурі, ніж дизель, тому потрібні заходи для використання біопалива в холодних регіонах.

УДК 669.14.018.25:620.18:539.374

## **АРМОВАНІ БЕТОНИ**

*Зозуля О.О., студент*

*Науковий керівник – Афтандіянц Є.Г., д.т.н., проф.*

*Національний університет біоресурсів і природокористування України*

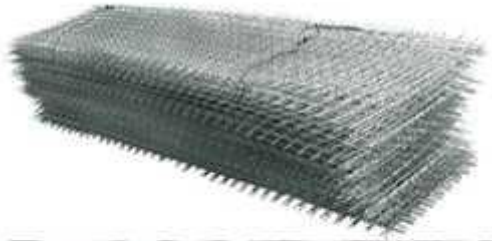
Армований бетон має велику міцність на стиск і розтяг в порівнянні зі звичайним бетоном. Для цього в бетон вводять спеціальні сталеві стрижні, які володіють високим опором. Також необхідно провести натяг арматури. Воно здійснюється хімічним, електротермічним і механічним способами.

Армування бетону є економічно вигідним і при цьому не складно технологічно. Крім того, армування бетону скорочує витрату бетону за рахунок зменшення товщини плити.

Армування бетону проводиться арматурою, металевою сіткою, синтетичними волокнами (рис. 1).



а



б



в

Рис. 1. Матеріали для армування бетону.  
а- арматура, б- металевою сітка, в- синтетичні волокна

Необхідність в армуванні бетону безперечна, так як, застигаючи, бетон не може мати настільки велику твердість і гнучкість, щоб витримати всі навантаження під час довгострокової експлуатації, на відміну від армованого бетону.

Армований бетон доцільно застосовувати в будівництві, де важливо високий опір розтягуванню, так як звичайний, неармований бетон добре пручається стиску й погано - розтягування. У зв'язку з чим, неармований бетон підходить для фундаментів і стінових блоків.

Варто відзначити одну важливу особливість - при нагріванні і охолодженні, коефіцієнт температурного розширення у сталі і бетону залишається однаковим. Це говорить про те, що при температурних впливах, монолітність армованого бетону зберігається.

Армування бетону також проводиться за допомогою металевої фібри, яку додають прямо в склад бетону. Використання металевої фібри зменшує товщину бетонної стяжки, при цьому на несучих здібностях це не позначається.

Використання арматури, оберігає його від руйнування в розтягнутій зоні. Однак, арматура все-таки не повністю запобігає утворенню тріщин. Для того, щоб знизити громіздкість армованих конструкцій та зменшити ширину розкриття тріщин, використовується попереднє напруження арматури. Для цього покладену в форму робочу арматуру, розтягують, а після того, як бетон затвердіє і досягне необхідного зчеплення з металом, натяг арматури відпускається. Стискаючись, арматура створює обтиснення у майбутній розтягнутій зоні конструкції. Після установки бетонної плити, обтиснення під дією навантажень знімається і з'являється розтягнення, але значне менше, ніж в разі, якби напруга арматури не було створено.

Попередньо-напруженими на даний момент роблять балки і ферми з прольотом більше 9 м (рис. 2).



Рис. 2. Армовані бетонні вироби

Стрижні товщиною не більше 25мм зварюють точковим зварюванням, в'язаної дротом. Більш товсті пруті скріплюють тільки дугового зварювання. Бетон можна армувати сталевий нержавіючої дротом товщиною 3-12 мм. Заздалегідь готують зварену сітку. Між прутами відстань роблять в проміжку від 5 до 20 см.

Армований каркас або сітку укладають в спеціальну конструкцію і починають заливати бетон шарами, постійно зміцнюючи шари вібратором або лопатою.

Є ще один вид армування бетону-дисперсний. Використовують сталеві волокна-розрізана в холодному вигляді сталь. Волокна засипають в розчин бетону на стадії розмішування. Плити приготовані за таким методом використовують в основному в разі, якщо вони будуть лежати на ґрунті. Треба відзначити, що дисперсійні армовані плити міцні і не піддаються усадці.

УДК 669.14.018.25:620.18:539.374

## ФІБРОБЕТОНИ

*Калашник О.О., студентка*

*Науковий керівник – Афтандіяну Є.Г., д.т.н., проф.*

*Національний університет біоресурсів і природокористування України*

*Фібробетон* - різновид цементного бетону, в якому досить рівномірно розподілені фібра або фіброволокна як армуючий матеріал (рис. 1).



Рис. 1. Фібробетон

*Фібра* - матеріал у вигляді волокон, застосовуваний для дисперсного армування бетонних конструкцій (рис. 2).

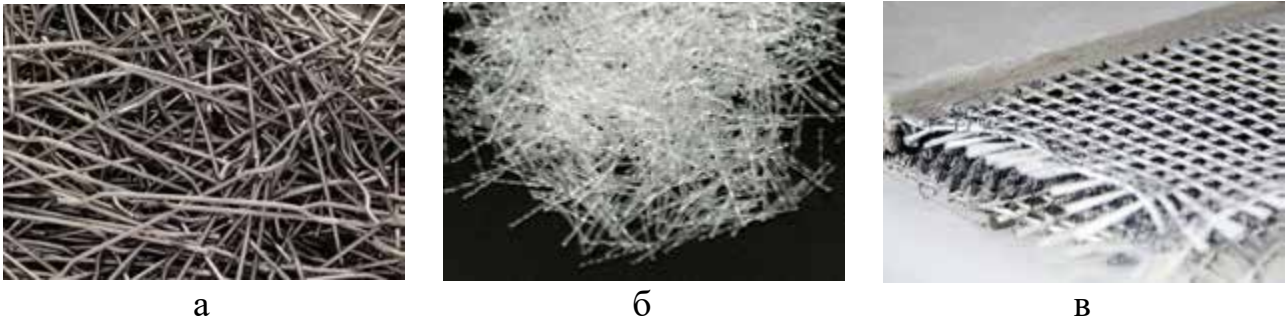


Рис. 2. Види фібри: а- металева, б- скляна, в- бавовняна

Фібра додається в бетон на стадії виробництва бетонної суміші, завдяки їй підвищується опір розтягання, ударним навантаженням і сприяє поліпшенню якості бетону, підвищуючи його тріщиностійкість, водонепроникність і морозостійкість.

В даний час фібра для бетону ділиться на дві групи: металева і неметалеві. Металева виробляється із сталі, може мати різну конфігурацію і розміри (її діаметр може складати від 0,1 - 0,5 мм, а довжина 10 - 50 мм). Неметалева фібра може бути представлена волокнами наступних матеріалів: скло, поліетилен, бавовна, акрил, базальт, карбон та інші.

Структура фібробетону наведена на рис. 3.

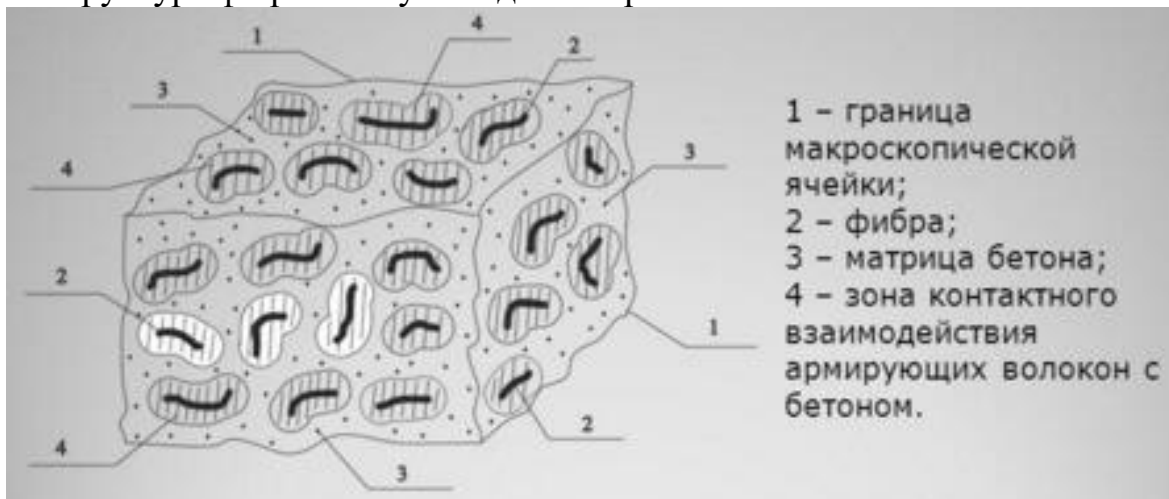


Рис. 3. Структура фібробетону

З точки зору монтажу монолітних будівель, процес конструювання є одним з найбільш довгих і трудомістких процесів, але застосування фібробетону допомагає прискорити процес зведення будівель, а також підвищити їх несучу здатність і здатність споруд сприймати динамічні дії. Ось в чому і полягає основна перевага фібробетону.

Із серйозних недоліків фібробетон має тільки один: досить високу вартість у порівнянні зі звичайними бетонами. Але використання недорогих синтетичних волокон поступово знижує цей показник. Ще одним недоліком при використанні металевої фібри є підвищений знос бетонозмішувального обладнання.

Фібробетони застосовують в збірних і монолітних конструкціях, що працюють на знакозмінні навантаження. Найважливіша характеристика



фібробетону — міцність на розтяг — є не тільки прямою характеристикою матеріалу, але і непрямю, і відображає його опір інших впливів. Ще одна важлива характеристика фібробетону — це його довговічність. За показником роботи руйнування фібробетону може в 15-20 разів перевершувати бетон.

Головними особливостями фібробетону є: здатність сприймати динамічні навантаження, висока швидкість монтажу, морозостійкість і зносостійкість, які безпосередньо пов'язані з його підвищеною трещіностійкістю. Фібробетон застосовується в конструкціях, що експлуатуються в умовах агресивного навколишнього середовища. Ці конструкції можуть бути як промислового, так і побутового характеру (рис. 4).



Рис. 4. Застосування фібробетону

УДК 669.14.018.25:620.18:539.374

## БОРОПЛАСТИКИ

*Катькін Б.В., студент*

*Науковий керівник – Афтандіянц Є.Г., д.т.н., проф.*

*Національний університет біоресурсів і природокористування України*

Боропластики це композитні матеріали, що містять в якості наповнювача борні волокна, впроваджені в термореактивною полімерну матрицю, при цьому волокна можуть бути як у вигляді монониток або джгутів (рис. 1):



а

б

Рис. 1. Боропластики у вигляді монониток (а) і джгутів (б)

Завдяки великій твердості ниток, що виходить матеріал має високі механічні властивості (борні волокна мають найбільшу міцність при стисненні в порівнянні з волокнами з інших матеріалів) і великою стійкістю до агресивних умов, але висока крихкість матеріалу ускладнює їх обробку і накладає обмеження на форму виробів з боропластиків (рис. 2).



Рис. 2. Вироби з боропластиків

УДК 669.14.018.25:620.18:539.374

## КЕРАМІЧНІ МАТЕРІАЛИ ТА ВИРОБИ

*Савчук В.О., студент*

*Науковий керівник – Афтандіянець Є.Г., д.т.н., проф.*

*Національний університет біоресурсів і природокористування України*

*Кераміка* це штучні кам'яні матеріали й вироби, отримані в результаті технологічної обробки і наступного випалу глинистої сировини.

Основною сировиною для виробництва кераміки є *глиниста сировина*

*Глиниста сировина* є продуктом механічного руйнування вивержених польовошпатових гірських порід, що містить частки глини, кварцу, слюди та інших мінералів, що не розклалися. Глинисті частки мають пластинчасту форму, тому при змішуванні з водою утворюється легко формована пластична маса.

З метою надання необхідних властивостей як глинам, так і виробам з них до складу глиняної сировини вводять добавки.

Отримання черепка потрібного кольору й структури здійснюється різними методами, в тому числі: покриттям готових виробів ангобами, глазурами, емалями, керамічними фарбами.

Технологія виготовлення керамічних виробів, незважаючи на різноманітність асортименту, що випускається за властивостями, формами і призначенням є загальною й включає наступні технологічні етапи:

- добування сировинних матеріалів
- підготовка керамічної маси (шихти)
- формування виробів (сирцю)
- сушіння , випалювання.



### *Стінові керамічні матеріали*

*Керамічні цегли й камені* виготовляють із легкоплавких глин з добавками й без, застосовують для кладки зовнішніх і внутрішніх стін, для виготовлення стінових панелей і блоків (рис. 1).

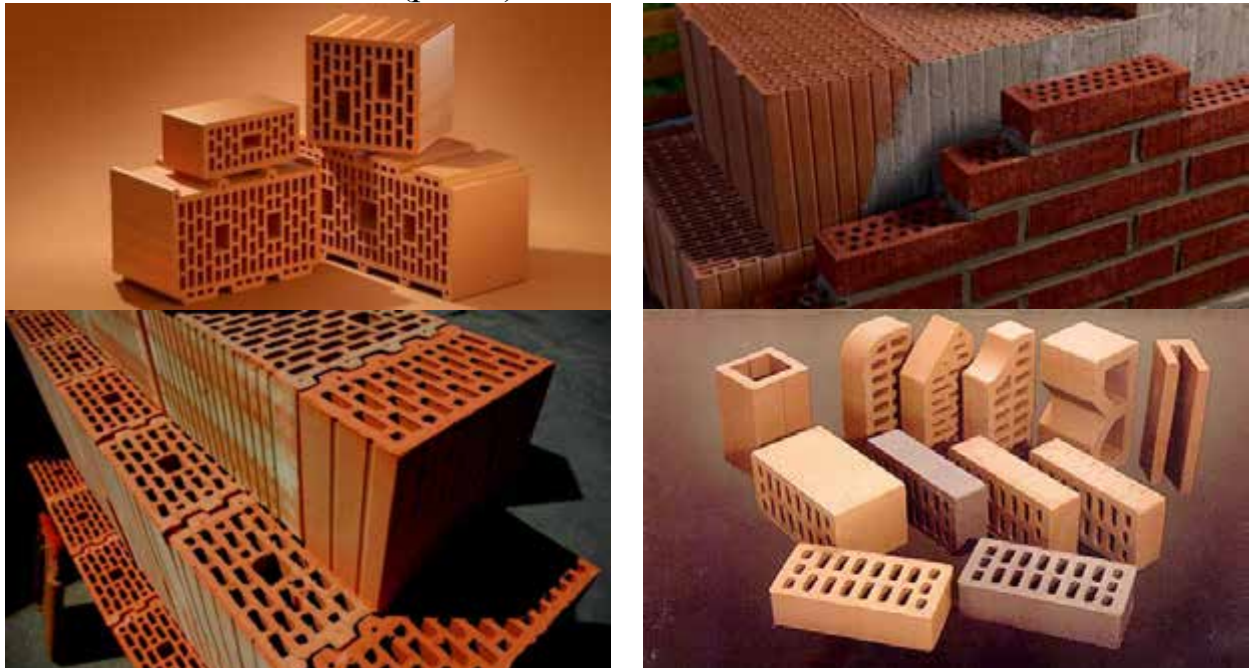


Рис. 1. Види керамічної цегли

*За щільністю в сухому стані* цегла й камені підрозділяють на три групи:

- *звичайні* – з щільністю більше  $1600 \text{ кг/м}^3$ ;
- *умовноефективні* – із щільністю більше  $1400\text{-}1600 \text{ кг/м}^3$ ;
- *ефективні* - з щільністю не більше  $1400\text{-}1450 \text{ кг/м}^3$ .

Цегли можуть бути пустотілими (рис. 2):

#### *Вироби для облицювання фасадів*

Облицювання стін будівель із керамічної цегли і каменів лицьовими виробами – найефективніший вид оздоблення, оскільки воно виконується одночасно з рядовою кладкою, а лицьові вироби, крім декоративних функцій, виконують і конструктивні функції стіни (рис. 3а).

*Цегла й камені лицьові* є оздоблювальними й конструктивними несучими елементами, що працюють у цегельній кладці разом зі звичайною цеглою. Лицьова цегла і камені призначені для мурування і одночасного облицювання зовнішніх стін будівель і споруд, тому мають дві лицьові поверхні. Лицьові цегли й камені випускають тих же розмірів і форм, що й звичайні.

*Керамічні фасадні плитки* («плинк») виготовляють квадратної або прямокутної форми довжиною з різними координаційними розмірами (від  $50 \times 50$  до  $300 \times 150$  мм, завтовшки 7 і 9 мм. Випускаються із глазурованою і неглазурованою, гладкою та рельєфною, одно- або багатокольоровою поверхнею. Застосовують для облицювання фасадів і цоколів, підземних переходів.

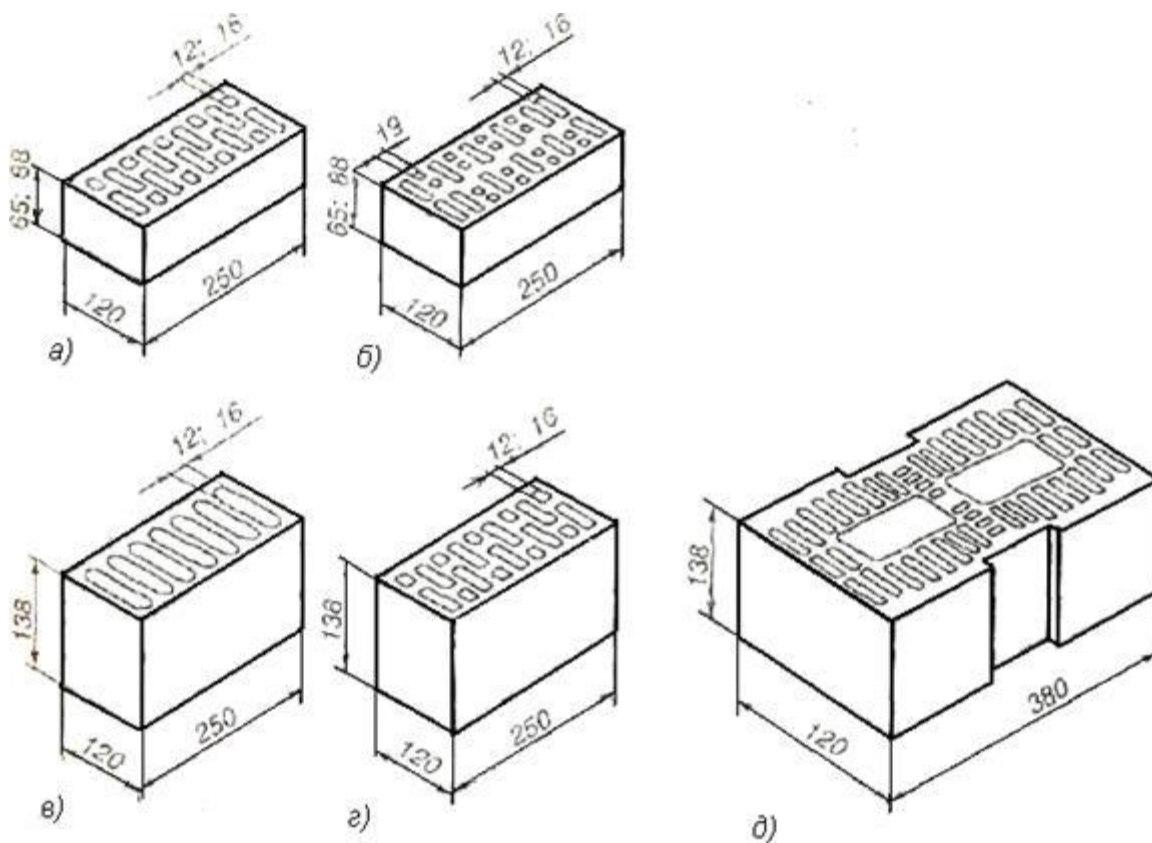


Рис. 2. Пустотілі цегли

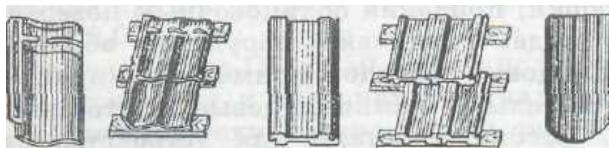
- а – цегла з 18-ма пустотами (порожність 27 і 36%);
- б – цегла з 28-ма пустотами (порожність 32 і 42%);
- в – камінь із 7-ма пустотами (порожність 25 і 33%);
- г – з 18-ма пустотами (порожність 27 і 36%) ;
- д – укрупнений камінь для кладки стіни в «один камінь» (порожність 45%).



а



б



в

Рис. 3. Цегла для облицювання фасадів (а), плитки для внутрішнього облицювання (б) та види глиняної черепиці (в).

*Плитки для внутрішнього облицювання (рис. 3б)*

*Керамічні плитки для внутрішнього облицювання* використовуються для облицювання стін і для покриттів підлог. Ці вироби експлуатуються усередині приміщення, тому вимоги за морозостійкістю до них не пред'являються.

Для облицювання стін застосовують *майолікові* (одержувані із сировинної суміші каоліну, польового шпату, кварцового піску) і *фаянсові* (одержувані з вогнетривких глин, додаючи кварцовий пісок і плавні з наступним глазуруванням) плитки.

Для покриттів підлог застосовують *метлахські* плитки, які володіють підвищеною щільністю і високим опором стираючим навантаженням.

*Плитки керамічні мозаїчні* для підлог виготовляють квадратними зі стороною 23 і 48 мм, завтовшки 6 і 8 мм. На заводі плитки лицьовим боком наклеюють на крафт – папір або картон з певним рисунком, одержуючи килими розміром 398 x48 мм.

*Великорозмірні* плитки типу «керамограніт» використовують для влаштування підлог у виробничих цехах, магазинах, ресторанах, виставкових залах, лабораторіях

*Керамічні вироби для покрівлі й перекриттів* (рис. 3в)

*Керамічна черепиця* є найпоширенішим керамічним матеріалом для покрівлі як в Україні, так і в західноєвропейських країнах завдяки своїй екологічній чистоті й довговічності (до 300 років), вогнестійкості, стійкості до атмосферних впливів.

Черепицю виробляють з легкоплавких глин широкої колірної гами (від блакитного до чорного) Морозостійкість черепиці повинна бути не менше 25 циклів.

До недоліків відносять крихкість, трудомісткість монтажних робіт, велику вагу 1 м<sup>2</sup> (40-80 кг). Застосовують керамічну черепицю на крутих покрівлях з ухилом не менше 30°.

УДК 669.14.018.25:620.18:539.374

## **ДЕРЕВ'ЯНІ-ЦЕМЕНТНІ КОМПОЗИЦІЙНІ МАТЕРІАЛИ**

*Федчук О.О., студент*

*Науковий керівник – Афтандіянц Є.Г., д.т.н., проф.*

*Національний університет біоресурсів і природокористування України*

*Арболіт* - різновид легкого бетону. Арболіт виготовляють з суміші органічних наповнювачів рослинного походження, що містять целюлозу (подрібнених відходів деревообробки, льону, стебел бавовнику, очерету), мінерального в'язучого (зазвичай портландцементу), хімічних добавок і води.

*Короліт* - різновид арболіту, що отриманий з суміші кори, обробленої хімічними речовинами, цементу і води.

*Фібролітові плити* виготовляють з суміші спеціально нарізаною стружки деревини, портландцементу, хімічних добавок і води.

*Ксилоліт* - різновид легкого бетону на магнезіальному в'язучому і органічному целюлозному заповнювачі (тирса деревини або інші подрібнені частки рослинного походження).

УДК 669.14.018.25:620.18:539.374

## ДЕРЕВ'ЯНІ КОМПОЗИЦІЙНІ МАТЕРІАЛИ

*Цера В.С., студент*

*Науковий керівник – Афтандіяню Є.Г., д.т.н., проф.*

*Національний університет біоресурсів і природокористування України*

*Деревина пресована* — деревина, піддана стискуванню перпендикулярно до волокон під тиском до 30 МПа (300 кгс/см<sup>2</sup>). Щільність пресованої деревини 1200...1450 кг/м<sup>3</sup>. Залежно від способу пресування розрізняють пресовану деревину, що отримана однобічним, двостороннім і контурним ущільненням. Однобічне ущільнення виробляється пресуванням брусків деревини уперек волокон в одному напрямі, двостороннє — у двох напрямках. Другим способом досягається вища щільність. Контурне ущільнення здійснюється втискуванням циліндрової заготовки деревини в металевий циліндр меншого діаметра. Границя міцності пресованої деревини при статичному згині й стискуванні уздовж волокон, а також твердість торцевої поверхні вища, ніж у натуральної деревини, у 2...3 рази. У промисловості вона замінює чорні і кольорові метали, текстоліт. З пресованої деревини виготовляють човники ткацьких верстатів, підшипники ковзання, що працюють в абразивному середовищі тощо.

*Шарувата клеєна деревина* — матеріал з деревини, отриманий склеюванням шпону, у якого волокна в суміжних відносно один до одного мають заданий напрямок (наприклад, фанера, деревний шаруватий пластик тощо) (рис. 1).



а



б

Рис. 1. Шарувата клеєна деревина: а – Фанера, б- Деревний шаруватий пластик



*Модифікована деревина* — деревина, оброблена певною хімічною речовиною (синтетичною смолою, аміаком тощо) з метою підвищення її механічних властивостей та додання водостійкості. У більшості випадків просочення деревини здійснюється під тиском. Полімеризація або поліконденсація хімічних речовин, що вводяться в деревину (мономерів, олігомерів тощо) досягається термічною обробкою, опроміненням рентгенівськими і  $\alpha$ -,  $\beta$ -,  $\gamma$ -променями у присутності каталізаторів. Модифікована деревина порівняно з натуральною має більшу міцність на статичний згин (на 75 %); знижене водопоглинення (у 3...5 разів) і вищу стійкість до абразивного зношування (у 1,5...2 рази). Модифіковану деревину застосовують для виготовлення підшипників ковзання у вузлах сільськогосподарських машин, деталей, що працюють в агресивних середовищах, ливарних моделей і копіїв тощо.

*До деревних композитів* — деревні матеріали, що є поєднанням деревини і в'язучих речовин у тому числі полімерних матеріалів, з додаванням модифікуючих добавок. До цього виду матеріалів належать:

- Деревостружкова (деревинно-стружкова) плита (ДСП)
- Орієнтовно-стружкові плити
- Деревно-волокниста плита
- Надтверді
- Тверді або деревоволокнисті плити середньої щільності
- Напівтверді або деревоволокнисті плити високої щільності
- Мякі
- Деревні пластики
- Деревно-полімерні композити (ДПК)

*Деревостружкова (деревинно-стружкова) плита (ДСП)* листовий матеріал, виготовлений шляхом гарячого плоского або екструзійного пресування деревних частинок, переважно стружки, змішаних із зв'язуючими, з доданням, при необхідності, спеціальних добавок

*Орієнтовно-стружкові плити (ОСП — oriented strand board або osb)* — це багатошарова (3–4 шари) плита, виготовлена з деревної стружки (в основному соснової) шляхом гарячого пресування під високим тиском з додаванням різних наповнювачів у вигляді водостійких смол, синтетичного воску і борної кислоти. Сама плита складається з трьох-чотирьох шарів, причому стружка у внутрішньому шарі розташовується у поперечному напрямі щодо довжини листа, а в зовнішніх шарах — у поздовжньому. Іншими словами, стружка орієнтована у певному напрямі — звідси і назва плити;

*Деревно-волокниста плита (ДВП)* — листовий матеріал, виготовлений шляхом гарячого пресування або сушіння килима з деревних волокон з введенням при необхідності сполучних і спеціальних добавок. Матеріалом для виробництва ДВП служить перемелена на волокна деревина, а також відходи деревообробки (стружка, тріска, деревний пил), які змішують з клеєм і спресовують при високій температурі з додаванням синтетичних смол, парафіну, церезину, антисептиків та інших речовин. Поширеними є також ламіновані дvp (лдvp) та облагороджені дvp, які отримують шляхом покриття

звичайної двп спеціальним складом із синтетичних меламінових смол. Такі плити відрізняються високою зносо-, термо- і вологостійкістю. На поверхню двп може наноситися малюнок, що імітує структуру дерева. Облагороджені двп використовують як оздоблювальний матеріал для стін і стель, а також як внутрішні елементи меблів. Залежно від щільності деревоволокнисті плити поділяють на

*Надтверді* (щільність від 950 до 1100 кг/м<sup>3</sup>) — відрізняються високою щільністю і служать в основному для покриття підлог або для виготовлення дверей, перегородок, тари.

*Тверді або деревоволокнисті плити середньої щільності* — це плити, отримані в результаті пресування і тиску при високій температурі маленьких частинок деревини. Такі плити просочують спеціальним розчином, завдяки якому вони стають вогнетривкими і вологостійкими. Згодом їм надають потрібну форму на спеціальних верстатах. На відміну від дсп при виготовленні мдф не застосовують епоксидну смолу або фенол. Сполучною речовиною у них є лінгіні. Лінгіні — це природна складова кожної деревини, яка виділяється з неї шляхом нагрівання. Мдф — екологічно чистий матеріал;

*Напівтверді* (600...800 кг/м<sup>3</sup>) *або деревоволокнисті плити високої щільності* — тонкий листовий матеріал, отриманий методом гарячого пресування подрібнених деревних волокон. Застосовуються для виробництва задніх стінок меблів, висувних ящиків та інших внутрішніх меблевих елементів;

*Мякі* від 100 до 400 кг/м<sup>3</sup>, виготовлені методом сушіння килима, використовуються як ізоляційно-оздоблювальні (250—350 кг/м<sup>3</sup>) й ізоляційні (до 250 кг/м<sup>3</sup>). Такі двп — характеризуються високою пористістю, малою теплопровідністю і низькою міцністю, тому їх використовують в основному як звуко- і теплоізоляційний матеріал у будівництві;

*Деревні пластики* — пластифіковані деревинні матеріали (деревношаруваті пластики та деревнопластичні маси), одержувані комплексною механічною, термічною та хімічною обробкою сировини (лущеного шпону, подрібненої деревини тощо);

*Деревно-полімерні композиції (ДПК)* мають у своєму складі деревну муку, термопластичний полімер (полівінілхлорид, поліпропілен, або поліетилен) та різні модифікатори (надають готовому виробу особливих властивостей). Процентне співвідношення перших двох компонентів залежить від виробника і класу матеріалу. В основі процесу переробки лежить екструзія — метод отримання виробів з полімеру шляхом продавлювання його в розплавленому вигляді через формувальний отвір переробної машини — екструдера. Рідше використовується лиття під тиском і пресування у прес-формах. Використовуються для отримання виробів (дощок, панелей тощо), призначених експлуатації під прямими сонячними променями, за підвищеної вологості та при значному коливанні температури.



## РАЦІОНАЛЬНЕ ВИРІШЕННЯ ТЕХНОЛОГІЧНИХ ЗАДАЧ ГІРСЬКОЇ ЛІСОЗАГОТІВЛІ

*Федечко Ю.А., студент*

*Науковий керівник – Каратник І.Р., к.т.н., доц.*

*Національний лісотехнічний університет України*

Комплекси технологічного устаткування для гірських лісосічних робіт повинні формуватися з урахуванням природно-виробничих лісоексплуатаційних умов, що є вагомою підставою для ефективного застосування спеціального операційного устаткування, особливо такого, як канатно-підвісні трелювальні установки (КПУ) або трелювальні трактори.

Мета дослідження є обґрунтування техніко-економічного підходу для визначення параметрів лісогосподарських ділянок і лісосік гірської лісозаготівлі.

Відомо, що собівартість лісозаготівлі в гірських умовах значно вища ніж в рівнинних умовах. Це пояснюється складністю організації лісозаготівельних робіт на всіх технологічних циклах через складні умови пересіченої гірської місцевості, які суттєво збільшують наприклад середню віддаль трелювання деревини і витрати на неї та улаштування верхніх складів, часто значно віддалених від лісовозних шляхів, куди доходять лісові дороги для транспортування деревини. Під час розроблення лісосік у горах, наприклад з допомогою КПУ, різко скорочується середня відстань трелювання деревини і, разом з тим, збільшується число проміжних майданчиків складування зтрелюваної деревини, виникає потреба підвезення лісоматеріалів до верхніх складів, зростають витрати на влаштування проміжних майданчиків складування деревини, що в загальному призводить до збільшення витрат на повний цикл трелювання деревини від місця заготівлі до верхнього складу [1, 2].

Розміри лісосік, їх зосередженість, параметри трелювального устаткування як КПУ так і тракторного взаємозв'язані і суттєво впливають на собівартість лісосічних робіт. Очевидно в кожному конкретному випадку слід встановлювати оптимальне число майданчиків проміжного складування деревини перед її підвезення на верхній склад, яке пов'язувати з параметрами як лісосік так і трелювальної техніки, з метою зменшення собівартості гірських лісосічних робіт. Для реалізації такої задачі доцільно також пропонувати прогресивні КПУ комбінованого трелювання-транспортування деревини з метою зменшення проміжного складування деревини та уникнення технологічної фази “підвезення лісоматеріалів до верхніх складів”.

Схема розміщення трелювальних технологічних коридорів гірської лісосіки для КПУ близька до паралельної, показана на рис. 1, для якої прийняті позначення:  $L$  – параметр лісосіки;  $n$  – кількість майданчиків проміжного

складування деревини;  $\gamma$  – питомий запас деревини у деревостані ( $\text{м}^3/\text{м}^2$ ).

Продуктивність канатно-підвісної установки (КПУ) трелювання деревини або трелювального трактора на трелюванні або підвезенні деревини визначається [2]:

$$\Pi = \frac{T \cdot k_1 \cdot k_2 \cdot Q_n}{l_{cp}/v_p + l_{cp}/v_x + t_n + t_p} = \frac{T \cdot k_1 \cdot k_2 \cdot Q_n}{t_0 \cdot l_{cp} + t_c}; \quad t_0 = \frac{v_p + v_x}{v_p \cdot v_x}; \quad t_{cp} = t_n + t_p. \quad (1)$$

де  $T$  – фонд робочого часу протягом зміни;  $k_1, k_2$  – коефіцієнти, відповідно, використання робочого часу і вантажопідйомності трелювального засобу;  $Q_n$  – рейсове навантаження на трелювальний засіб;  $v_p, v_x$  – швидкість руху трелювальника у завантаженому і порожняковому напрямках трелювання деревини;  $t_n, t_p$  – час відповідно на завантаження і розвантаження трелювальника.

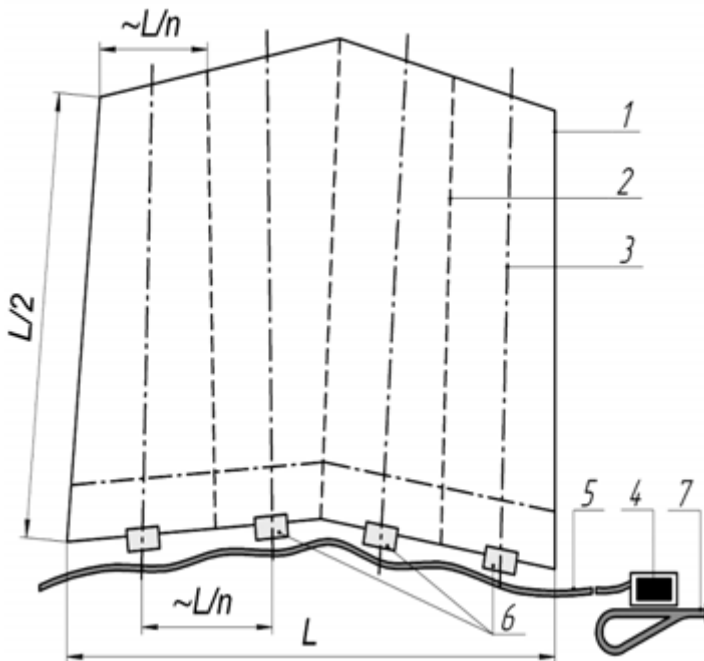


Рис. 1 – Схема розміщення пасік, технологічних коридорів і майданчиків проміжного складування деревини на лісосіці з КПУ-трелюванням: 1 – межі лісосіки; 2 – межа пасіки; 3 – вісь технологічного коридора КПУ; 4 – верхній склад; 5 – волок підвезення деревини; 6 – проміжний склад (КПУ); 7 – лісовозна дорога;  $L$  – параметри лісосіки;  $n$  – кількість майданчиків проміжного складування лісоматеріалів.

Згідно схеми (рис. 1) визначається:

$$l_{cp} = L \cdot (n + 1) / 2n. \quad (3)$$

Витрати на транспортування 1-го  $\text{м}^3$  деревини на верхній склад у загальному виді виражаються залежністю:

$$C_m = C / \Pi, \quad (4)$$

тоді:

$$\Pi_m = \frac{C \cdot t_0 \cdot L}{2 \cdot T \cdot k_3 \cdot Q_m} \cdot \left(1 + \frac{1}{n}\right) + \frac{C \cdot t_{cp}}{Q_m \cdot T}, \quad (5)$$

де:  $C$  – собівартість машино-зміни трелювального засобу;  $Q_m$  – рейсове навантаження трактора на підвезенні деревини з проміжного складу КПУ до верхнього складу;  $k_3$  – коефіцієнт співвідношення рейсових навантажень КПУ і трелювального трактора на підвезенні деревини;

Вартісні витрати на влаштування проміжних майданчиків складування:

$$\Pi_{н.м.} = (n \cdot B) / (L^2 \cdot \gamma) \quad (6)$$

де:  $B$  – питомі середні витрати на влаштуванні одного майданчика проміжного складу деревини;  $\gamma$  – питомий запас деревини у експлуатаційному деревостані,  $\text{м}^3/\text{м}^2$ .

Загальні змінні витрати на трелювання 1-го  $\text{м}^3$  деревини складають:

$$\Pi_{\Sigma m} = \frac{C}{Q_m \cdot T} \cdot \left[ \frac{t_0 \cdot L}{2 \cdot k_3} \cdot \left(1 + \frac{1}{n}\right) + t_{cp} \right] + \frac{n \cdot B}{L^2 \cdot \gamma}. \quad (7)$$

Приведені витрати можуть бути виражені залежністю [3]:

$$\Pi_{np} = (E \cdot W) / (T \cdot t_c) + \Pi_{\Sigma m}, \quad (8)$$

де:  $E$  – нормативний коефіцієнт економічної ефективності;  $t_c$  – кількість годин роботи трелювальника за зміну;  $W$  – сума складових вартості трелювального засобу.

На підставі (1) і (7) залежність (8) отримає вигляд:

$$\begin{aligned} \Pi_{np} = & \frac{E \cdot W \cdot [t_0 \cdot L \cdot (n+1) + 2n \cdot t_c]}{T \cdot k_1 \cdot k_2 \cdot Q_n \cdot 2n \cdot t_c} + \frac{C \cdot L}{2 \cdot Q_m \cdot T \cdot n \cdot k_3} \times \\ & \times [(t_0 + 1) \cdot (n+1)] + \frac{n \cdot B}{L^2 \cdot \gamma}, \end{aligned} \quad (9)$$

у якій змінними величинами є розмір лісосіки  $L$  і число навантажувальних майданчиків  $n$ . Для дослідження функції (9) на мінімум визначені частинні похідні  $\frac{\partial \Pi}{\partial L}$  і  $\frac{\partial \Pi}{\partial n}$ , які прирівняні до нуля. Розв'язки рівнянь мають вигляд:

$$L = \sqrt[3]{\frac{8T \cdot k_3 \cdot Q_m \cdot t_c \cdot B \cdot t_0 \cdot n^2}{\gamma \cdot [4Q_m \cdot E \cdot W + C \cdot t_0 \cdot t_c \cdot (1+n)]}}; \quad (10)$$

$$n = \sqrt{\frac{L^3 \cdot \gamma \cdot [4Q_n \cdot (E \cdot W + C \cdot t_0 \cdot V_n \cdot t_2)]}{4Q_m \cdot T \cdot t_2 \cdot k_3 \cdot B}}. \quad (11)$$

**Висновки.** Рівняння (9) собівартості лісосічних робіт на фазі “трелювання + підвезення деревини”, разом із залежностями (10) і (11) дозволяють:

- 1) визначити оптимальне число майданчиків проміжного складування лісоматеріалів у випадку тракторного і КПУ-трелювання для однієї лісосіки;
- 2) вибрати раціональні розміри лісосік в умовах гірських лісорозробок для забезпечення мінімальних витрат на лісосічних роботах;
- 3) розрахункові результати згідно залежностей (9), (10) і (11) можуть бути використані для одержання техніко-економічних показників комбінованих канатно-підвісних трелювально-транспортних систем (типу КПТТУ проекту Львівського ПКТИ “Лісдеревпром”).

#### Список літератури:

1. Коржов В. Л. Рекомендації із застосування лісотransпортних установок при гірських лісозаготівлях / В. Л. Коржов, І. Д. Гриджук. – Ів.-Франківськ : Фоліант, 2015. – 28 с.
2. Шкіря Т. М. Технологія і машини лісосічних робіт / Т. М. Шкіря. Підручник. – Львів: УкрДЛТУ, “Тріада плюс”, 2003. – 352 с.
3. Олійник В.О. Економічний аналіз: практикум для студентів вищих навчальних закладів економічних спеціальностей / [за ред. проф. Ф. Ф. Бутинця]. – 2-е вид., доп. і перероб. – Ж. : ПП “Рута”, 2003. – 496 с.

УДК 669.14.018.25:620.18:539.374

## СКЛОПЛАСТИКИ

*Черняк С.І., студент*

*Науковий керівник – Афтандіяню С. Г., д.т.н., проф.*

*Національний університет біоресурсів і природокористування України*

Склопластик є неоднорідний суцільний матеріал, що складається з двох основних компонентів: сполучного і армуючого матеріалів - смоли і скловолокна. За рахунок цього він набуває унікальні характеристики, які забезпечують його застосування в самих різних галузях: від побутової техніки і сільського господарства до авіаційного і космічного виробництва.

Основними особливостями і перевагами склопластиків в порівнянні з традиційними конструкційними матеріалами є:

- Несхильність до корозії і гниття;
- Стійкість до дії агресивних середовищ;
- Менша щільність;

Міцність на рівні високоякісних конструкційних сталей;

Висока втомна міцність;

Висока електрична міцність і діелектричні властивості;

Склопластик отримують шляхом гарячого пресування скловолокна, перемішаного з синтетичними смолами. У склопластиках скловолокно грає роль армуючого матеріалу, що додає виробам високу механічну міцність при малій щільності.

смоли можна розділити на:

- звичайні конструкційні;

- хімічно стійкі

- вогнестійкі;

- теплостійкі;

- світлопрозорі.

*Вироби зі склопластику*

Склопластик застосовують як конструкційний і теплозахисний матеріал при виробництві корпусів човнів, катерів, суден і ракетних двигунів, кузовів автомобілів, цистерн, рефрижераторів, радіопрозорих обтекатель, лопатей вертольотів, вихлопних труб, деталей машин і приладів, корозіонностойкого обладнання і трубопроводів, невеликих будівель, басейнів для плавання, а також як електроізоляційний матеріал в електро- - і радіотехніці.

Застосування склопластику в будівництві

Декоративні елементи зі склопластику в оформленні фасаду офісного центру

Склопластик має широку область застосування: архітектурні елементи для оформлення фасаду:

авторська скульптура;

театральні декорації;

фонтани;

авторська меблі;

рекламні об'єкти і ін.

Невелика вага конструкцій і виробів зі склопластику дозволяє провести монтаж без спеціальних засобів в короткий час.

Оптимальна товщина стінки склопластикової оболонки становить 4-5 мм.

Вага одного квадратного метра становить 5-6 кг.

Завдяки своїм унікальним властивостям, таким як: висока міцність при малій вазі, атмосферостійкість, хімічна стійкість, вогнестійкість, простий монтаж - вироби з склокомпозита знаходять все більше застосування.

Термін експлуатації виробів з склокомпозита зіставимо з терміном служби будівель і споруд.

Важливим є можливість виготовлення зі склопластику об'єктів максимальних форм і розмірів.

*Застосування склопластикової композитної арматури*

Склопластикову арматуру застосовують відповідно до вимог проектною документації для конструкцій будівель і споруд різного призначення (рис. 1).

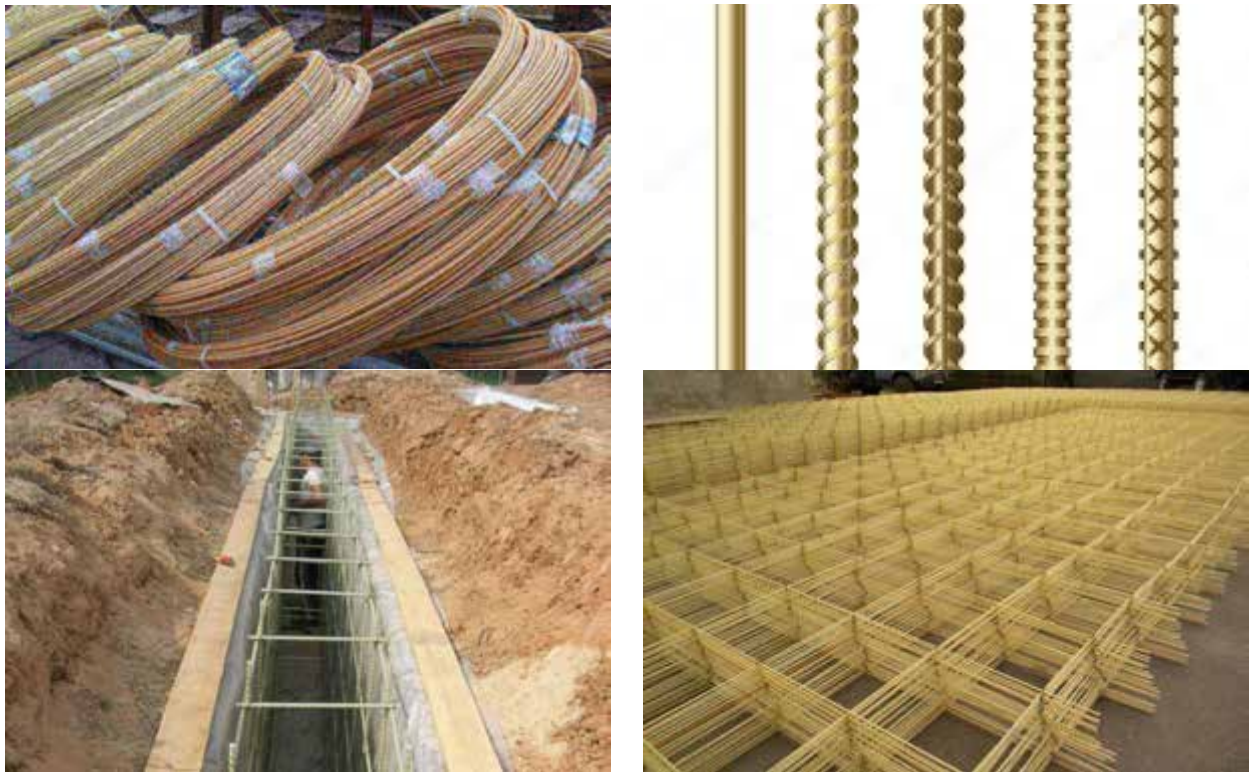


Рис. 1. Склопластикова арматура

Арматура призначена для застосування в промислово-цивільному, дорожньому будівництві;

Застосування в бетонних конструкціях будівель і споруд різного призначення;

Для використання в легких і важких бетонах (пінобетон, плити перекриття, в монолітних фундаментах);

В шаруватій кладці цегляних будівель;

Як дюбелів для кріплення зовнішньої теплоізоляції стін будівель;

Як сіток і стрижнів в конструкціях;

Застосування композитної склопластикової арматури збільшує термін служби конструкцій в 2-3 рази в порівнянні з застосуванням металеві арматури, особливо при впливі на них агресивних середовищ, в тому числі що містять хлористі солі, луки та кислоти.

*Переваги склопластикової арматури*

Міцність на розрив в 3 рази вище міцності сталеві арматури класу АІІ. Показник межі міцності металеві арматури - 390 МПа, композитної - щонайменше 1000 МПа;

Склопластикові арматура не іржавіє. Чи не схильна до корозії;

Кислотостійка. Стійка до морської води;

Склопластикові арматура володіє високими пружними властивостями;

Неелектропровідних. діелектрик;

Композитна склопластикові арматура практично не проводить тепло;

Радіопрозорий;

Магнітоенергетна. Не міняє властивості під впливом електромагнітних поле ;.



Не втрачає своїх властивостей міцності при впливі наднизьких температур;

Легше металевої арматури в 9 разів, при равнопрочной заміні;

Будь-яка будівельна довжина під вимоги проекту і замовника.

*Висновок*

Склопластики - матеріали з малою питомою вагою і заданими властивостями, які мають широкий спектр застосування. Склопластики мають дуже низьку теплопровідність (приблизно, як у дерева), міцністю як у стали, біологічної стійкістю, вологостійкістю і атмосферостійкістю полімерів, не володіючи недоліками, властивими термопластів.

УДК 669.14.018.25:620.18:539.374

## **ДОСЛІДЖЕННЯ ПРОЦЕСУ ВИГОТОВЛЕННЯ БІМЕТАЛЕВИХ ВИЛИВКІВ**

*Йолдич О.О., студентка*

*Науковий керівник – Афтандіяню Є. Г., д.т.н., проф.*

*Національний університет біоресурсів і природокористування України*

Дослідження проводили за послідовною схемою виготовлення біметалевих виливків, яка включає заливку основи, засипку флюсу на поверхню затверділої основи, заливку робочого шару, затвердіння й охолодження виливка після затвердіння. Така послідовність технологічних операцій характерна для великої групи біметалевих виливків робочих органів дробильно-розмельного обладнання, зокрема, молотків, бил, відбійних плит та ін.

Для визначення кількісних закономірностей формування структури виготовили біметалеві виливки з економнолегованих матеріалів, у яких область факторного простору основи змінювалася (мас. %) від 0,22 до 0,8 С, 0,2-0,50 Si, 0,35-1,6 Mn, до 0,3 Cr і Мо, а робочого шару – 2,4 - 3,6 С; 0,05 - 1,0 Si; 1,5 - 5,2 Mn; 11,0 - 25,0 Cr; 0,15 - 0,35 V; 0,15 - 0,35 Ti; до 0,4 Мо.

Обрана область хімічних складів обумовлена оптимальним співвідношенням міцності, пластичності, зносостійкості і вартості матеріалів.

У литому стані сталева основа біметалевого виливка «Сталь 25Л - Чавун 300Х12Г5» складається з 25 - 30 % фериту і 70 -75 % перліту , а робочий шар - з карбідів, аустеніту і перліту в кількості 5 - 10 %. Границя основи і робочого шару дифузійна, без підплавлення.

Перехідна зона між основою і робочим шаром з боку чавуну на відстані 38 - 47 мкм від границі контакту складається з перліту, в інтервалі від 47 до 1000 мкм зміст перліту зменшується до 80 - 90 % і далі структура складається з карбідів , аустеніту і перліту в кількості 5 - 10 %. Перехідна зона з боку стали на відстані до 16 мкм від границі контакту являє собою ферит, в інтервалі від 16

до 400 мкм - 90 % перліту і 10 % фериту, а в інтервалі від 400 мкм і далі - 25 - 30 % фериту і 70 - 75 % перліту.

Зміна хімічного складу основи і робочого шару, а також умов формування виливка супроводжується зміною кількості і розмірів структурних складових. Наприклад, у разі біметалевого виливка «Сталь 70ГЛ - Чавун ЧХ22» мікроструктура сталеві основи в литому стані складається з 10% фериту і 90% сорбітообразного перліту.

Відстань між пластинами цементиту в перліті від 0,3 до 1,0 мкм. Робочий шар складається з карбідів, перліту і залишкового аустеніту до 20%.

Границя контакту містить зони підплавлення. Перехідна зона з боку чавуну на відстані до 47 мкм від границі контакту складається з перліту, в інтервалі від 47 до 400 мкм - аустеніту і карбідів, більше 400 мкм переходить в структуру чавуну. Перехідна зона з боку сталі на відстані до 31 мкм від границі контакту являє собою смугу фериту, в інтервалі від 31 до 300 мкм - смугу з сорбітообразним перлітом. При більшій відстані структура зони контакту являє собою структуру сталеві основи. Відстань між пластинами цементиту в перліті становить, в основному, 0,3 мкм, однак спостерігаються ділянки з відстанню від 0,5 до 1,0 мкм.

Результати металографічного аналізу показали, що структура біметалевих виливків в литому стані складається з фериту, перліту, залишкового аустеніту і карбідів. При цьому кількість ( $\Phi_{\text{вст}}$ ,  $\Pi_{\text{вст}}$ ) і розмір зерен ( $D_{\text{фст}}$ ,  $D_{\text{пст}}$ ) фериту та перліту в сталевій основі змінювалися, відповідно, від 10 до 40 і від 60 до 90 % об., від 25 до 240 і від 47 до 175 мкм, ширина феритного ( $B_{\text{фпз}}$ ) і перлітного ( $B_{\text{ппз}}$ ) шару в перехідній зоні - від 12 до 50 і від 30 до 75 мкм, кількість ( $K_{\text{ч}}$ ,  $\Pi_{\text{вч}}$ ) і розмір ( $D_{\text{кч}}$ ,  $D_{\text{пч}}$ ) карбідів і зерен перліту в робочому шарі - від 27 до 32 мас. дол. %, від 4 до 60 об. дол. % і від 43 до 100 і від 15 до 107 мкм, відповідно, відстань між пластинами цементиту в перліті ( $\Delta_{\text{цпч}}$ ) від 0,3 до 1,0 мкм і об'ємна частка залишкового аустеніту ( $A_{\text{оч}}$ ) в робочому шарі від 8 до 68 об. дол. %.

Аналіз результатів досліджень показує, що в процесі затвердіння і охолодження після затвердіння біметалевих виливків вміст структурних складових і дисперсність ферито - перлітної структури металу - основи визначається вуглецевим еквівалентом сталі і швидкостями охолодження в рідкому стані, інтервалі твердіння і температурній області від 600 до 800 °С перед перетворенням аустеніту; розмір феритного і перлітного шару в перехідній зоні - вищезазначеними параметрами, а також вуглецевим еквівалентом чавуну; кількість карбідів - вуглецевим еквівалентом чавуну, а їх розмір - також швидкістю охолодження робочого шару в рідкому стані і в інтервалі твердіння.

Кількість і розмір зерен перліту в робочому шарі, а також відстань між пластинами цементиту в перліті визначається швидкістю охолодження робочого шару в інтервалі температур від 600 до 800 °С, вуглецевим еквівалентом чавуну і температурним інтервалом перетворення аустеніту робочого шару; об'ємна частка залишкового аустеніту в робочому шарі - вуглецевим еквівалентом чавуну і швидкістю охолодження робочого шару в рідкому стані і в інтервалі твердіння.

Збільшення швидкості охолодження біметалевого виливка в рідкому стані, інтервалі твердіння і температурної області від 800 до 600 °С призводить до диспергування структури основи, та робочого шару і розширенню перехідної зони.

Легування стали марганцем і хромом призводить до диспергуванню зерен фериту та перліту в основі біметалевих виливків і розширення перехідної зони. Збільшення вмісту марганцю в чавуні призводить до диспергування всіх досліджених структурних складових робочого шару, а додаткове легування хромом - до збільшення розмірів карбідів і зерен перліту.

Після термічної обробки структура сталеві основи біметалевого виливка «Сталь 25Л - Чавун 300Х12Г5» складається з 50% фериту і 50% перліту, з розміром зерен 22,7 і 20,3 мкм, відповідно. Перехідна зона з боку стали являє феритну смугу товщиною 1 мкм, а з боку чавуну – перлітну - товщиною 11 мкм.

Сталева основа виливка «Сталь 70ГЛ - Чавун ЧХ22» після термічної обробки складалася з 95% фериту і 5% перліту з розміром зерен 18 і 8 мкм, відповідно. Границя контакту дещо хвиляста. Перехідна зона на відстані до 0,17 мм складається з 90% перліту і 10% фериту. Структура чавуну робочого шару складається з 33% карбідів, 50% мартенситу і 17% аустеніту. Розмір фаз при цьому становить 35, 29 і 57 мкм, відповідно.

Після термічної обробки, додатково до вищеназваних структур, в робочому шарі біметалевих виливків спостерігається мартенсит. Об'ємна частка фериту та перліту в сталевій основі змінюється від 10 до 97 і 3 - 90 % відповідно, а їх розміри від 6 до 44 і від 5 до 27 мкм. Розмір феритної зони перехідного шару змінюється від 1 до 4 мкм, а перлітної - від 2 до 16 мкм. Робочий шар складається з карбідів, мартенситу і аустеніту. При цьому спостерігаються такі зміни кількості і розмірів карбідів, відповідно від 28 до 35 мас. дол. % і від 20 до 50 мкм; мартенситу від 10 до 60 об. %, довжини його пакетів від 10 до 90 мкм; аустеніту від 1 до 36 об. % і розміру зерен від 7 до 65 мкм.

Після термічної обробки біметалевих виливків мікроструктура сталеві основи складається з перліту і фериту, а робочого шару - з суміші карбідів  $Me_7C_3$ , високохромистого аустеніту і мартенситу.

Аналіз результатів дослідження показує, що дисперсність мікроструктури після термічної обробки істотно залежить від відповідних структурних параметрів в литому стані і ступеня легування твердого розчину металеві основи і робочого шару в процесі аустенітизації біметалевих виливків.

В процесі термічної обробки посилюється в 2 - 3 рази вплив факторів, які призводять до диспергування структури біметалевих виливків в литому стані. Необхідно відзначити, що якщо збільшення вмісту хрому в чавунному робочому шарі в литому стані монотонно змінює розміри і фазовий склад його мікроструктури, то після термічної обробки такий вплив екстремальний. При цьому максимальна дисперсність мартенситу досягається при вмісті хрому в межах від 16 до 17%.

## ВУГЛЕПЛАСТИКИ

*Чорней Д.П., студент*

*Науковий керівник – Афтандіяню Є. Г., д.т.н., проф.*

*Національний університет біоресурсів і природокористування України*

Вперше про вуглецеві волокна почули в 1880 році Едісон використовував їх в якості нитки розжарювання ламп. Ця ідея незабаром була забута з приходом вольфрамового дроту. І тільки в середині минулого століття інтерес до вуглепластиків проявився знову. Шукали нові матеріали, здатні витримати багатотисячну температуру ракетних двигунів. Безліч країн брали участь в створенні карбону і не можна сказати, що цей шлях був легким. Вперше карбон був використаний в програмі NASA, при будівництві космічних кораблів. Тепер вуглепластик входить і в наш повсякденний побут

Основна складова частина вуглепластиків - це нитки вуглецевого волокна, що складаються в основному з атомів вуглецю. Для додавання ще більшої міцності тканини, нитки вуглецю кладуть шарами, щоразу змінюючи кут напряду плетіння. Такі нитки дуже тонкі, зламати їх дуже просто, а розірвати досить важко. З цих ниток сплітаються тканини. Також вони можуть мати різний малюнок плетіння (рис. 1)

### *Недоліки*

При виробництві вуглепластиків необхідно дотримуватись технологічних параметрів, при порушенні яких, властивості міцності виробів різко знижуються. Необхідні складні і дорогі заходи контролю якості виробів

Іншим серйозним недоліком вуглепластиків є їх низька стійкість по відношенню до ударних навантажень. Пошкодження конструкцій при ударах сторонніми предметами у вигляді внутрішніх тріщин і розшарувань можуть бути невидимі оку, але призводять до зниження міцності



а



б

Рис. 1. Нитки (а) та тканини (б) з вуглецевого волокна

### *Пресування*

Вуглетканина вистилається в форму, попередньо змащену воском або милом. Потім вона просочується смолою. Надлишки смоли видаляються у вакуумі або під тиском. Далі смола полімеризується і після полімеризації смоли виріб готовий.

### *Пултрузія*

Це технологія виготовлення високонаповнених волокном композиційних деталей з постійною поперечною структурою. В даний час активно використовується у виробництві полімерних композиційних матеріалів, наприклад, для виробництва вуглецевих ламелей (пластин).

### *Намотування*

Суть технології полягає в безперервному намотування заздалегідь просоченого ровінгу або стрічки на попередньо підготовлену форму - мандрель. Після намотування необхідної кількості шарів, мандрель з намотаними шарами поміщається в нагрівальну піч для подальшої полімеризації.

### *Застосування*

Ракетно-космічна техніка, авіатехніка, суднобудування, медична техніка, протезобудування, рибальські снасті, професійні фото і відеоштативи, побутова техніка, моделізм (рис. 2)



а



б



в

Рис. 2. Застосування вуглепластиків: а- ракетно-космічна техніка, б- рибальські снасті, в- професійні фото і відеоштативи

## ПРИСТРІЙ ДЛЯ ВИВЧЕННЯ ТРІЩИНОСТІЙКОСТІ ЛИВАРНИХ СТАЛЕЙ ПРИ ЗАТВЕРДІННІ

Михайлишин Д.О., студент

Науковий керівник – Афтандіяну Є.Г., д.т.н., проф.

Національний університет біоресурсів і природокористування України

Пристрій для комплексного визначення характеристик тріщиностійкості сплавів складається з опоки 1, в якій формується ступінчаста проба 2, ливникової чаші 3, болтів 4 для односторонньої фіксації металу, що затвердіває, термопари 5, тяги 6, що послідовно з'єднує пластину 7, яка пружно деформується, з затв'рдіваючим металом, феродинамічного датчика 8 лінійних переміщень (відтарованого на зусилля), який з точністю до 0,1% перетворює лінійні переміщення в електричні сигнали, потенціометра 10, який реєструє деформацію і температуру (рис. 1).

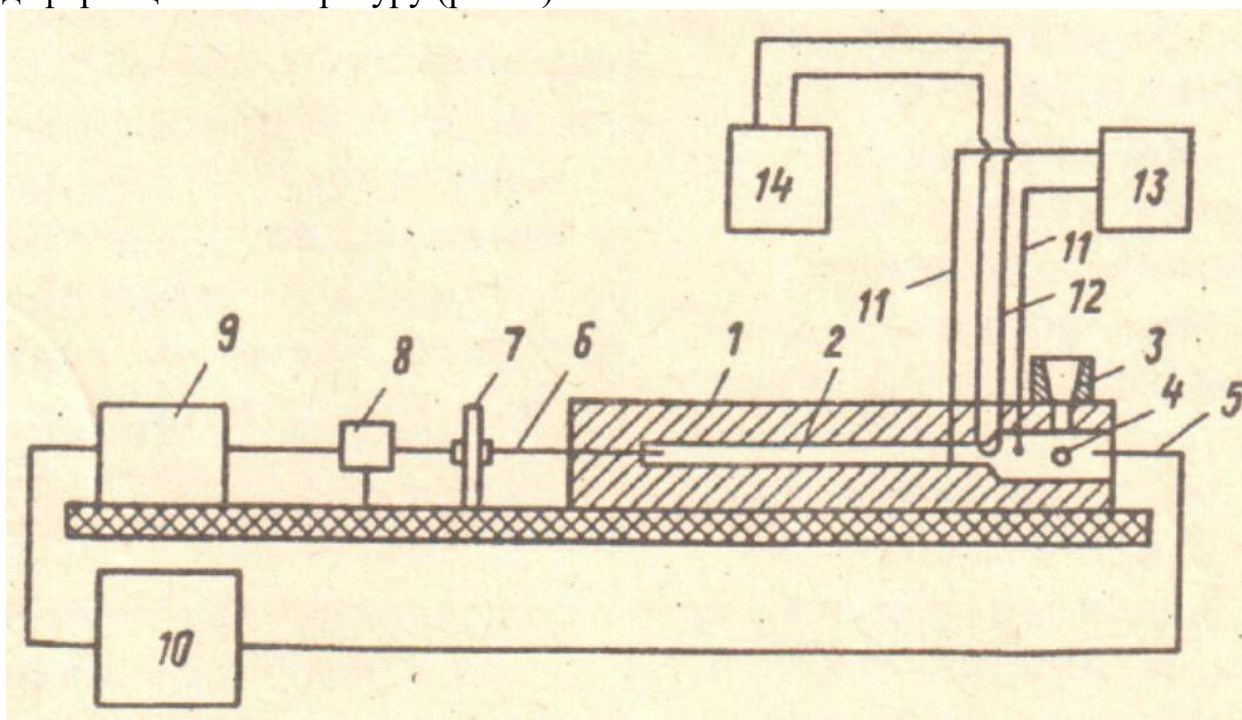


Рис. 1. Схема базового пристрою для визначення тріщиностійкості ливарного сплаву

На відстані 0,025 довжини проби від центру термічного вузла встановлені електроди 11 вимірювального ланцюга. У центрі термічного вузла встановлено дублікат 12 електродів вимірювального ланцюга. Електроди вимірювального ланцюга і дублікат підключені до універсальних вимірювальних приладів 13 і 14.

З метою підвищення точності вимірювань електроди необхідно виготовляти з матеріалу з мінімальним електроопору (наприклад дріт



діаметром 1,6 мм зі сталі 10) і підключати до універсального переносного вимірювального приладу, який працює за принципом подвійного моста.

Для усунення перешкод і побічних ефектів, не пов'язаних з процесом утворення тріщини, в центрі термічного вузла між проводами вимірювального ланцюга встановлюється дублікат, що фіксує рівень перешкод і побічних ефектів. Різниця між показниками електричного опору проводів вимірювального ланцюга і дублікатою дає можливість визначити електроопір термічного вузла, що пов'язаний з появою тріщини, щодо його зміни визначити момент утворення тріщини і синхронізувати його з температурними, силовими та деформаційними параметрами процесу тріщиноутворення литого сплаву при затвердінні.

Для підвищення точності вимірювань електроди вимірювального і дублюючого ланцюга необхідно виготовляти з однаковим мінімальним електричним опором, оскільки зі зменшенням електричного опору електродів зменшується величина абсолютної похибки вимірювань.

З метою спрощення конструкції установки і отримання синхронної інформації про навантаження і деформації в процесі утворення тріщин в якості пристрою для створення утрудненою усадки використовують упругодеформіруючу пластину (виконану з ресорної сталі), яку ставлять між ливарної формою і датчиком лінійних переміщень і послідовно з'єднують з металом, що затвердіває і датчиком за допомогою тяг.

З метою спрощення конструкції установки і підвищення точності вимірювання в якості перетворювача лінійних переміщень в електричні сигнали використовують феродинамічний датчик, який перетворює сигнали з точністю до 0,1%. Датчик встановлений після датчика лінійних переміщень.

Центр сполучення порожнини ливарної форми, що утворює перехід від одного діаметра до іншого, визначається як точка вимірювання радіуса кривизни сполучення (точка переходу від одного радіуса до іншого), що віднесена до осі ступінчастою проби (Рис. 2, точка С).

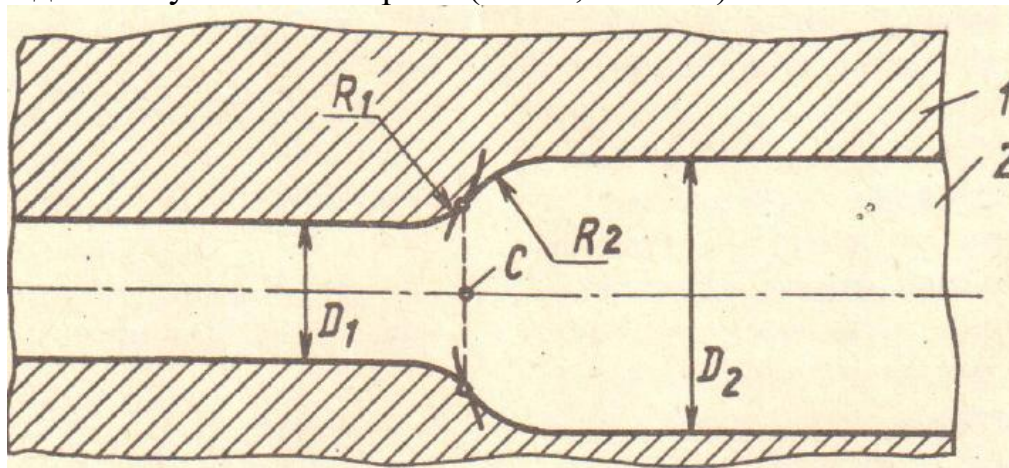


Рис. 2. Схема ступінчастої ливарної проби

Електроди 11 вимірювального ланцюга встановлюються на відстані 0,25-0,5 великого діаметра ( $D_2$ ) порожнини ливарної форми від центру сполучення

(точка С), а в центрі сполучення встановлено дублікат 12 електродів вимірювального ланцюга (рис. 3).

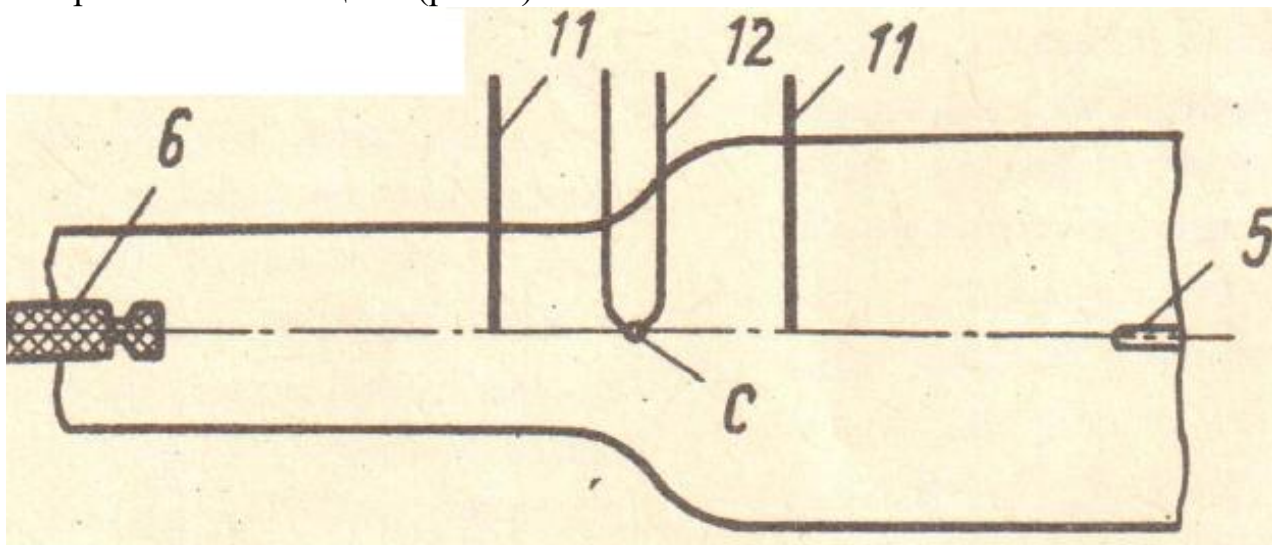


Рис. 3. Схема установки електродів в ливарній пробі

Установка електродів вимірювального ланцюга на відстані 0,25-0,5 великого діаметру від центру сполучення обумовлена тим, що в цьому обсязі ливарної форми виникають максимальні напруги, внаслідок сполучення різних діаметрів виливки при затвердінні стали, що призводить до утворення і розвитку тріщин.

Установка електродів вимірювального ланцюга на відстані 0,25-0,5 великого діаметру від центру сполучення дозволяє досліджувати оптимальний обсяг металу, в якому відбувається процес зародження і розвитку тріщин і одночасно реєструвати комплекс температурних силових і деформаційних характеристик процесу утворення тріщин.

Установка електродів вимірювального ланцюга на відстані більше 0,5 великого діаметру від центру сполучення порожнини ливарної форми недоцільна внаслідок підвищення рівня перешкод, не пов'язаних з процесом освіти тріщини.

Установка вимірювального ланцюга на відстані менше 0,25 великого діаметру від центру сполучення недоцільна внаслідок можливого виникнення тріщин за межами досліджуваного обсягу металу.

Установка працює в такий спосіб.

Розплавлений метал, залитий в ливникову чашу 3, заповнює форму 1 у вигляді ступінчастою пробі 2. Метал, що кристалізується фіксується з одного боку болтами 4, з іншого – пружнодеформуюча пластина 7 криз тягу 6 створює ускладнену усадку, яка у вигляді деформації реєструється датчиком 8 (попередньо відтарованого по навантаженню) перетворюється датчиком 9 і записується потенціометром 10 одночасно з показниками термопари 5 (попередньо відтарованої за показаннями термопари, встановленої в термічному вузлі). Це дає можливість одночасно визначати температурні, силові і деформаційні характеристики процесу утворення та поширення тріщини.

З метою одночасного визначення температурних і силових параметрів процесу утворення тріщини при заливці металу включається вимірювальний електричний ланцюг, який реєструє електричний опір термічного вузла і дублюючий електричний ланцюг, який реєструє рівень перешкод, пов'язаних з температурою металу.

По різниці електричного опору вимірювального та дублюючого ланцюга визначається справжній електричний опір термічного вузла, який при появі тріщини збільшується в 2-3 рази. Фіксація моменту утворення тріщини в часі за показниками приладів 13 і 14 дозволяє зв'язати процес тріщиноутворення з температурними, деформаційними і силовими характеристиками утрудненої усадки реєструючим потенціометром 10.

В результаті однієї заливки одночасно визначається комплекс температурних, силових і деформаційних характеристик процесу утворення тріщин литого сплаву при затвердінні.

УДК 669.14.018.25:620.18:539.374

## **ВЛАСТИВОСТІ БІМЕТАЛЕВИХ ВИЛИВКІВ**

*Йолдич О.О., студентка*

*Науковий керівник – Афтандіяню С. Г., д.т.н., проф.*

*Національний університет біоресурсів і природокористування України*

На основі аналізу результатів розробки і освоєння промислових технологій виготовлення біметалевих виливків проведена систематизація даних про вплив хімічного складу сплавів і технологічних параметрів лиття на формування структури і фізико-механічних властивостей виливків при реалізації різних схем процесів їх отримання. Головною метою створення бази даних стало опис властивостей сплавів біметалевих пар і перехідних дифузійних шарів, а також способів отримання необхідних властивостей з урахуванням вимог експлуатації виробів в умовах активних видів зношування.

Аналіз даних показує, що основний вплив на властивості біметалевих виливків надають ступінь легування розплавів; температура заливки розплавів; співвідношення температур ліквідус і солідус сплавів, що входять до складу біметалевих пар; співвідношення мас сплавів; час витримки між заливками шарів.

Одним з найбільш важливих факторів впливу на фізико-механічні властивості і зносостійкість білих чавунів є співвідношення в них вмісту хрому і вуглецю, які формують карбідну фазу. Максимуми міцності і зносостійкості в хромистих чавунах не збігаються, що пояснюється змінним хімічним складом аустенитної хромистої карбідної евтектики  $A + Me_7C_3$  і різним вмістом карбідів.

Збільшення кількості карбідів призводить до зниження механічних властивостей чавунів. Разом з тим, найбільш високу зносостійкість має щільна евтектична структура з максимальною кількістю карбідів. Факторами, що обмежують вміст хрому і вуглецю в чавунах робочого шару біметалевих виливків, є утворення заевтектичних карбідів, які істотно знижують зносостійкість, міцність і перехід до евтектиці  $A + Fe_{23}C_6$ .

Збільшення кількості первинного аустеніту в чавунах незалежно від типу карбідів веде до зростання їх міцних властивостей. Однак присутність в структурі металевої основи чавунів навіть невеликої кількості м'яких продуктів розпаду аустеніту знижує зносостійкість біметалевих виливків.

Аналіз даних про вплив хімічного складу сплавів біметалевих пар і технологічних параметрів лиття на структуру і властивості біметалевих виливків, одержуваних послідовної заливкою розплавів у обертову виливницю відцентрової машини показує, що формування властивостей біметалевих виливків відбувається під впливом наступних основних факторів:

- концентрація легуючих елементів в розплавах;
- режими термочасової обробки рідкого чавуна в печі;
- температура заливки розплавів;
- інтервал часу між заливками шарів;
- режим примусового охолодження виливниці;
- режими термічної обробки виливків.

Параметри структури першого (робочого) шару при заданому хімічному складі залежать від співвідношення швидкостей охолодження в інтервалі затвердіння, в твердому стані до початку заливки другого (внутрішнього) шару, в виливниці від максимальної температури рекристалізації до вилучення виливки і в термостаті до температури евтектоїдного перетворення.

Систематизацію експериментальних даних про експлуатаційні характеристики біметалевих виливків "вуглецева (легована) сталь - зносостійкий сплав" проводили стосовно деталей машин і обладнання для нафтохімічної, металургійної, цементної, борошномельної промисловості, енергетичного і сільськогосподарського машинобудування, а також будівельної індустрії. В якості найбільш важливих показників, що визначають економічну ефективність застосування біметалевих виливків, взяли технічний ресурс і інтенсивність зношування, які наведені в порівнянні з монометалічними серійними виробами, виготовленими традиційними способами лиття або зміцненим за допомогою електродної наплавки.

Експлуатаційні характеристики біметалевих виливків в умовах абразивного і ударно-абразивного зношування представлені в табл. 5.

З таблиці 5 видно, що ресурс роботи біметалевих виливків в 1,4 - 4,5 рази перевищує ресурс серійних монометалевих виробів.

Інтенсивність зношування біметалевих виливків залежить не тільки від властивостей сплавів робочого шару, але і від характеристик матеріалів, що переробляються, а також навантажень.

*Висновки*

Створено бази даних про вплив хімічного складу і технологічних параметрів лиття сплавів біметалевих пар одержуваних послідовної заливкою розплавів в стаціонарну форму крізь автономні ливникові системи і в обертову виливницю відцентрової машини на формування властивостей і експлуатаційні характеристики біметалевих виливків.

Отримані бази даних дають можливість обґрунтувати принципи комплексного легування, режимів лиття і термічної обробки, що забезпечують істотне підвищення експлуатаційних властивостей біметалевих виливків при економному легуванні та витратах енергоносіїв, оптимізувати процес формування фізико-механічних властивостей біметалевих виливків методами легування, лиття і термічної обробки.

УДК 630.383

## **КОНСТРУЮВАННЯ ПЕРЕТИНАНЬ, ПРИМИКАНЬ І РОЗГАЛУЖЕНЬ ЛІСОВИХ ДОРІГ З УРАХУВАННЯМ ТЕХНІКО-ТЕХНОЛОГІЧНИХ АСПЕКТІВ І ВИМОГ БЕЗПЕКИ РУХУ**

*Семененко О. М., Муханов Д. В., студенти  
Науковий керівник – Рудько І.М., к.т.н.*

*Національний лісотехнічний університет України*

Лісові дороги як інженерні споруди й основні технічні елементи відомчого транспорту призначені насамперед для руху по них спеціалізованих тягових і причіпних засобів з метою перевезення людей (працівників лісового господарства й лісопромислового виробництва тощо) та вантажів (лісоматеріалів, спецмашин та устаткування, інструменту).

Конструкцію лісової дороги зазвичай характеризують три її основні проєкції, серед яких й зокрема розгорнутий план траси (проєкція на горизонтальну площину). На першому етапі проєктування, пристосовуючи трасу до місцевих умов, інженери отримують ламану лінію. Для забезпечення плавності й безпеки руху спеціальних транспортних засобів окремі елементи траси з'єднують кривими (коловими кривими сталого радіуса та перехідними кривими змінного радіуса).

В основі проєктування плану елементів прямих і кривих ділянок трас лісових доріг, а також обґрунтування геометричних розмірів дорожніх перетинань, примикань і розгалужень (роз'їздів, з'їздів, переїздів чи об'їздів), покладено поетапний ряд таких принципів і методів:

- 1) візуалізація ескізної геометрії (розташування прямих та кривих ділянок лісової дороги в плані з дотриманням основних технічних нормативів її будівництва: рекомендованих поперечних розмірів (кількості смуг руху (1 ... 2 шт.); ширини земляного полотна (4 ... 12,5 м), проїзної частини, узбіч (0,5 ... 2 м)), радіусів кривих в плані тощо);

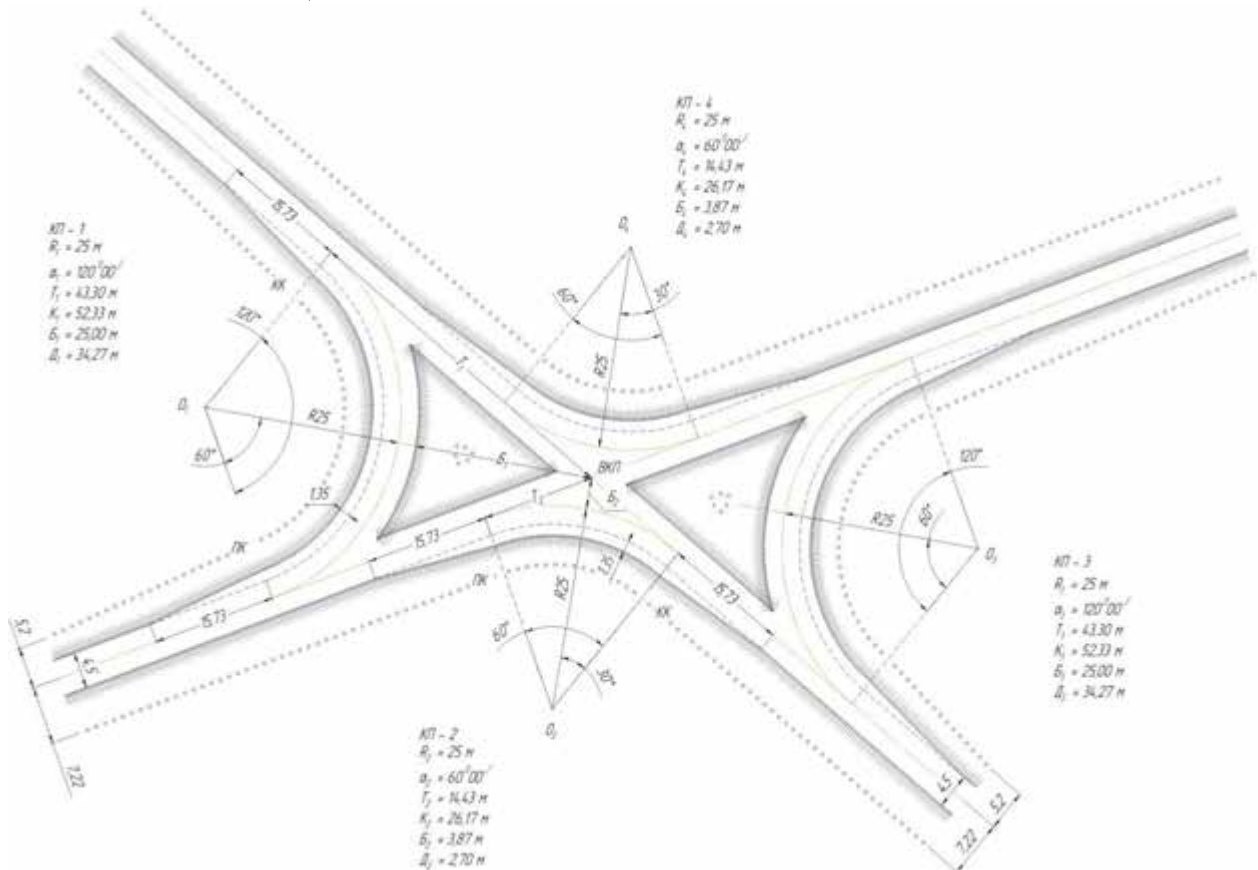
2) урахування будівельних вимог (фактичне розміщення нижньої та верхньої будови дороги, водопропускних і укріпних штучних споруд, зокрема укосів земляного полотна, бокових резервів, каналів, кюветів тощо);

3) створення безпечних умов для руху транспортних засобів:

- улаштування на окремих ділянках розширення автодороги (для геометричного вписування одиночних автомобілів чи спецпотягів на кривих ділянках шляху з урахуванням розрахункової швидкості руху, схеми транспортного засобу, радіуса кривої й технології транспортування вантажів тощо);

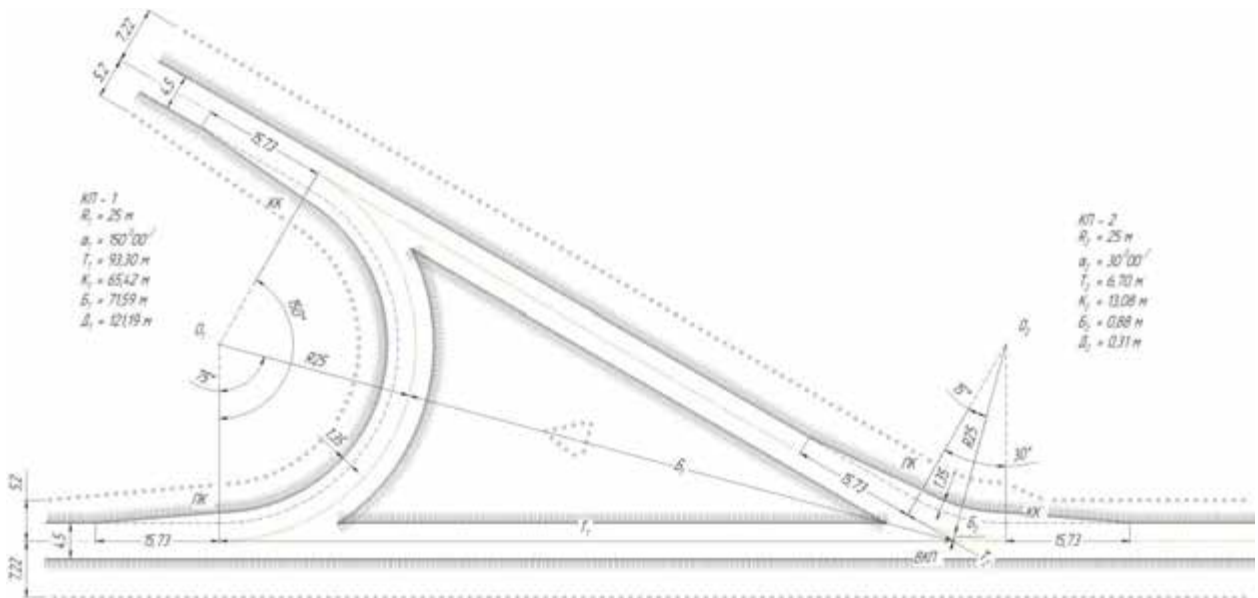
- виконання умов забезпечення видимості (рис. 1 – 2), що спричиняє потребу розширювати смугу відводу (просіку) у зв'язку з погіршенням оглядовості на поворотах (з урахуванням розрахункової відстані видимості зустрічного рухомого складу (для односмужних лісових доріг – лісогосподарських II і III типу, лісопромислових гірських II і III типу, віток і магістралей IV категорії) чи поверхні дороги (для двосмужних лісових доріг)).

Конструювання дорожніх перетинань, примикань і розгалужень за вищезазначеною методикою (окремі з яких представлені на рис. 1 – 2) проведено в польових умовах державного підприємства “Малинське лісове господарство” для ефективного експлуатування одиночного сортиментовоза КамАЗ-5320 та спеціального автопотяга КамАЗ-5320 + ГКБ-8350.



a)





б)

Рис. 1. Конструкція дорожнього перетинання (а) і примикання (б) лісової дороги: *КП* – кут повороту траси; *ПК* – початок колової кривої; *КК* – кінець колової кривої; *ВКП* – вершина кута повороту;  $O_i$  – центр повороту кривої;  $R_i$  – радіус колової кривої, м;  $\alpha_i$  – кут повороту траси, град;  $T_i$  – дорожній тангенс, м;  $K_i$  – довжина колової кривої, м;  $B_i$  – дорожня бісектриса, м;  $D_i$  – домір, м

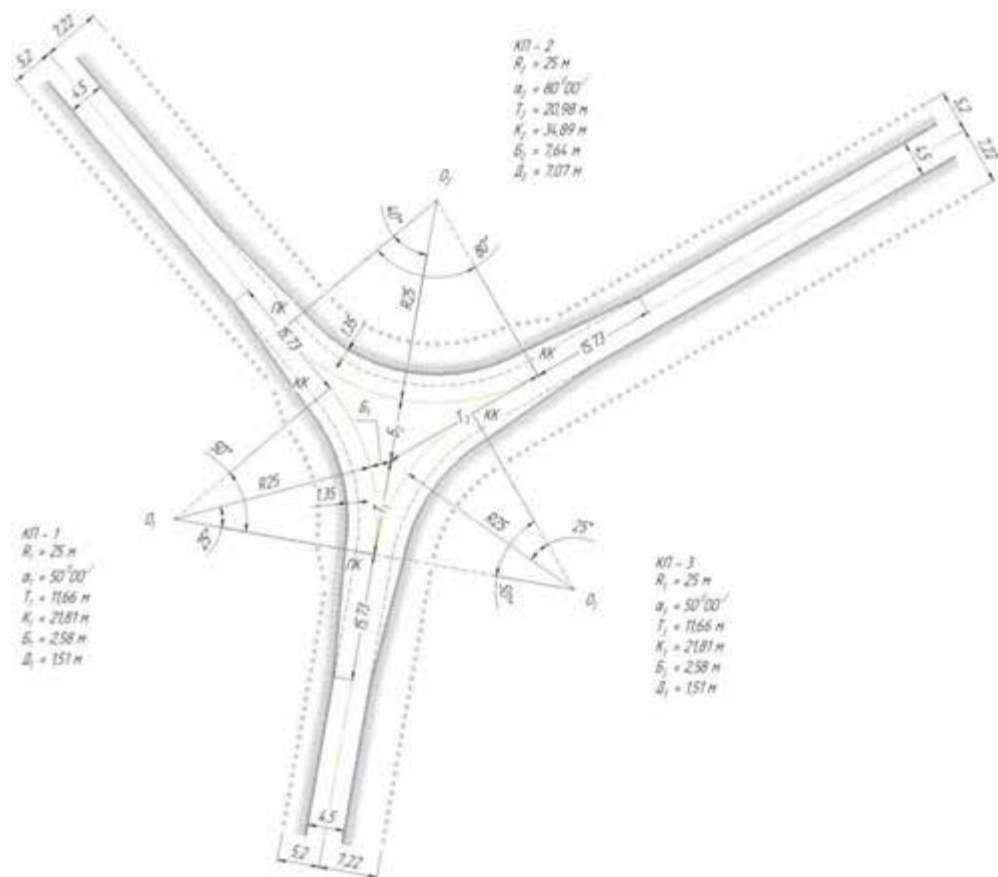


Рис. 2. Конструкція дорожнього розгалуження лісової дороги

Безпека руху зазначених одиночного автомобіля і автопотяга на будь-якій ділянці дороги, а особливо на кривих, буде забезпечена, оскільки водій бачитиме дорогу на відстані не меншій за розрахункову відстань видимості. В окремих місцях на кривих плану видимість фактично є утрудненою внаслідок наявності різного роду перешкод, розташованих з внутрішнього боку кривої (дерев, чагарників, підвищень місцевості тощо). Тому для забезпечення розрахункової видимості передбачене усунення зазначених перешкод шляхом розширення просіки та розрівнювання природних нерівностей місцевості на відповідну обґрунтовану відстань.

УДК 630.3(075.8)

## **ОБГРУНТУВАННЯ КОМБІНОВАНОГО ТЕХНОЛОГІЧНОГО ПРОЦЕСУ ДІЛЬНИЦІ КОМПЛЕКСНОГО ОБРОБЛЕННЯ СОРТИМЕНТНОГО ДОВГОМІРУ**

*Андруневчин С.І., магістр  
Науковий керівник – Каратник І.Р., к.т.н., доц.*

*Національний лісотехнічний університет України*

На даний час функціонує понад 100 лісгоспів тільки Агенства лісових ресурсів України, у складі яких значна кількість технологічних ділень з виготовлення пиломатеріалів, сортиментів деревообробки, будівництва, тарного, технологічного і паливного призначення, або тріски. Це в основному *спеціалізовані* ділень, на яких складно реалізувати безвідходне раціональне і комплексне використання заготовленої деревини через наявне цільове устаткування і технологічні потоки з низьким рівнем комбінування. Одним із напрямків удосконалення комплексного використання деревини – це реконструкція і технічне дооснащення діючих деревообробних ділень шляхом впровадження на них додаткових і допоміжних технологічних ліній для комплексного оброблення сортиментного довгоміру з якісним розсортування сировини та економічно доцільним виготовлення продукції ширшого асортименту.

Мета дослідження – обґрунтування груп операційного устаткування і технологій поточкових ліній, технологічних і техніко-економічних показників комбінованої деревообробної ділень комплексного перероблення стовбурних лісоматеріалів для умов державного підприємства “Сколівське лісове господарство” (ДП “Сколівський лісгосп”).

Аналіз техніки, технологій і обсягів виготовлення лісопродукції лісозаготівлі та деревообробного виробництва ДП “Сколівський лісгосп” виявив можливість і доцільність створення на основі діючої оновленої комбінованої деревообробної ділень, що може випускати близьку за показниками (вимогами) та економічно вигідну лісопродукцію (баланси,

гірничі стояки, технологічні і дров'яні сортименти, супутньо – тріску різного призначення). Для технологічного процесу дільниці при цьому необхідно реалізувати:

- концентрацію деревообробного виробництва для максимального і комплексного обробляння різносортної сортиментної лісосировини і рівномірного завантаження операційного устаткування;

- організацію загальних технологічних потоків для обробляння різних видів сортиментів на продукцію кількох найменувань (уникнення спеціалізації).

- створення загальних складів сировини для змішаного забезпечення потоків комбінованої деревообробної дільниці і скорочення складських площ;

- первинне комбінування паралельних деревообробних потоків з метою обробляння на них різної сортиментної лісосировини;

- впровадження доцільних і раціональних міжпотоківих і міжопераційних технологічних зв'язків для завантаженості устаткування згідно видів лісосировини і асортименту продукції дільниці.

- застосування автономних підйомно-транспортувальних механізмів (ПТМ) для комбінованого обслуговування потоків і агрегатних груп устаткування з метою максимальної завантаженості операційного устаткування дільниці.

- організація технологічних ліній з вторинним комбінуванням потоків заготовок і півфабрикатів з метою максимально повного обробляння вхідної лісосировини.

Оснащення комбінованої деревообробної дільниці підприємства основним устаткуванням обробляння тарних, технологічних і дров'яних сортиментів та переробляння пиловника було запропоновано на основі операційних верстатів, які на даний час застосовуються на діючому деревообробному виробництві, розширивши його технологічними потоками з виготовлення круглих і колотих балансів, розмірних технологічних і паливних сортиментів, гірничих стояків і технологічної або паливної тріски. Дана пропозиція ґрунтується на тому, що на головному потоці лісопромислового складу не застосовується первинне обробляння привізної стовбурної деревини (у т. ч. технологічного, тонкомірного і дров'яного довгоміру). Разом з тим доцільним є удосконалення дільниці виготовлення тріски у напрямку організації на ній комплексного переробляння як стовбурних круглих і колотих лісоматеріалів, так і кондиційних кускових відходів деревообробки.

Для комбінованої деревообробної дільниці запропоновано максимальний розвиток гнучких міжверстатних і міжпотоківих технологічних зв'язків на базі спеціалізованих операційних агрегатів, буферних запасників і транспортерного устаткування та автономних підйомно-транспортних механізмів.

Такі технічні системи реалізують лінійне провадження операцій обробляння деревини, у яких операційні або багатоопераційні обробні одиниці устаткування з'єднані у технологічний комплекс буферно-транспортерними

засобами (магазини КСП-10 або РБ-15 з транспортерами ПТБ-25-1, КБС або НКС, а також поперечні транспортери PS-45 (усі українського виробництва)).

Згідно засад комбіновано технологічного процесу оброблення довгомірних сортиментів для основних технологічних операцій потоків виготовлення балансів, тарних і технологічних сортиментів, паливних дров, а також тріски з різномірної сировини, запропоновано максимальне завантаження головного устаткування загальної ділянки технологічних потоків, а саме на операціях розкрязування довгоміру і розсорткування заготовок чи виробів, для чого рекомендовано маніпуляторне устаткування для стовбурних лісоматеріалів різного призначення.

Пропоновані механізми обрані для забезпечення належного рівня концентрації циклових операцій на головних верстатах, що інтенсифікує обробні і переміщувально-складувальні операції, зростання продуктивності операційного устаткування загальної ділянки потоків з локальними ПТМ і забезпечує відносно стабільний циклічно-потоківий режим всього процесу технологічної дільниці.

Згідно планових обсягів первинного оброблення і перероблення стовбурних лісоматеріалів, виробничого завдання на виготовлення певної деревообробної лісопродукції базового підприємства було виконано проектну пропозицію комбінованої деревообробної технологічної дільниці раціональної структури на базі наявних лісопиляльної технологічної лінії і потоку виготовлення тарних комплектів з доповненням вказаних комбінованим з ними технологічним потоком первинного оброблення технологічних та дров'яних сортиментів з ділянкою виробництва тріски технологічного або теплоенергетичного призначення. При цьому обґрунтовано структуру комбіновано технологічного процесу багатопотокової деревообробної дільниці, яка націлена на досягнення ефективного функціонування паралельних технологічних ліній і основного операційного та їхнього допоміжно-додаткового устаткування у поєднанні з спільними ПТМ-агрегатами, буферними магазинами і переміщувальними системами сировини, заготовок та продукції. Таке завдання зумовило провести узгодження технологічних параметрів головного та додаткового операційного устаткування, що визначило варіанти компонування технологічних ліній зокрема та на дільниці в цілому.

Згідно структурної схеми (з рекомендованим технологічним устаткуванням поточкових ліній комбінованої деревообробної дільниці) запропоновані два варіанти організації технологічних ліній деревообробної дільниці за складом спільної роботи механізмів обслуговування цих ліній та складських ділянок.

Розрахунково встановлені продуктивності технологічних ліній комбінованої деревообробної дільниці (з частково відмінними комплексами основного устаткування), що є головними показниками ефективності їхніх технологічних процесів, шляхом визначення:

- операційних продуктивностей задіяного устаткування і технологічних ліній дільниці для проєктованих варіантів, що автономно виконують завдання виробничих обсягів;

- зведених продуктивностей технологічних ліній для проєктованих варіантів, що передбачають комбіноване виконання завдання виробничих обсягів.

При цьому взято до уваги непродуктивні втрати робочого періоду на поточкових лініях, які завжди присутні у виробничих умовах (для випадків першого наближення визначень їх враховано коефіцієнтами накладених втрат робочого часу) в складі організаційно-технічних заходів, особливо на загальній розкрязувально-сортувальній ділянці та під час оперативного забезпечення головних верстатів технологічних ліній, і розподілу півфабрикатів до верстатів наступного ряду з одночасним вторинним комбінуванням потоків заготовок.

**Висновки.** Комбіновані деревообробні дільниці, у яких поряд з головними мають функціонувати поточкові лінії комплексного використання низькосортних і низькоякісних лісоматеріалів та кондиційних деревообробних відходів, необхідно утворювати з гнучкими або півгнучкими технологічними зв'язками, застосовуючи для цього міжпоточкові і міжопераційні буферні запасники сировини та автономні ПТМ-агрегати обслуговування виробничих зон та складських об'єктів, що здатні забезпечити міжпоточкове і міжверстатне комбінування забезпечення сировиною і заготовками.

УДК 666.97.033.1

## **БЕЗПЕРЕРВНЕ ФОРМУВАННЯ ЗАЛІЗОБЕТОНИХ ВИРОБІВ**

*Житник А.Б., студент*

*Наукові керівники – Шаленко В.О., к.т.н., доц., Корнійчук Б.В., к.т.н., доц.,*

*Маслюк А.А., аспірант*

*Київський національний університет будівництва і архітектури*

На сьогодні існують різні технологічні лінії безперервного формування залізобетонних виробів. За особливостями роботи бетоноформувального агрегату їх можливо розділити на екструзійні та сліпформувальні.

До основних переваг екструзійних методів ущільнення можна віднести:

- можливість використання бетонних сумішей з низьким водоцементним відношенням, що дозволяє скоротити час теплової обробки виробів на 2 – 4 години;

- завдяки низькому водоцементному відношенню, досягається висока ступінь ущільнення;

- режим руху екструдера безпосередньо пов'язаний із внутрішнім рівнем напору, який створюється стовпом суміші в бункері.

Основним недоліком екструзійної технології є обмежена номенклатура виробів, які можливо формувати. Це більш за все плити перекриття та стінові панелі.

Представником екструзійних машин є фірма "Комако" (США) де виготовляють бортове огороження тротуарів і доріг, парапети набережних та інші подібні конструкції. Ці конструкції можуть бути бетонними або залізобетонними. Так, наприклад, при використанні арматурних стержнів або сіток можливо відформувати парапет висотою до 800 мм пірамідальної форми з основою 400 мм. Для цього використовують бетонні суміші з дрібним заповнювачем та збільшеним вмістом піску. Також фірма "Хастінгз" (США) реалізує виробництво пустотних і суцільних плит на довгих стендах з використанням малорухомих бетонних сумішей. Після формування відформована бетонна полоса залишається на стенді після проходження формувальної машини без бокової опалубки.

Машини сліпформування за конструкцією більш складніші. Основною перевагою класу таких машин є можливість отримувати більшу номенклатуру виробів: плити перекриття різної висоти, ригелі, балки різного профілю, палі тощо.

До класу таких машин можна віднести серію SF машин фірми "Nordimpianti" (Італія) були розроблені для виготовлення широкої гами виробів з переднапруженого бетону, як для стін, так і для перекриттів на довгих виробничих доріжках. Унікальністю цих машин є їх модульна конструкція: приймальний бункер бетону і силовий блок можуть встановлюватися на іншу формуючі вставки для виробництва іншого виду виробів. Стандартний діапазон виробів по висоті від 80 мм до 1000 мм, а ширина може досягати 1200 мм. Ширина залежить від конкретних потреб замовника. Висоту виробів, а також товщину вертикальних ребер можна варіювати в певних межах відповідно до типу застосування та специфікацією виробу.

УДК 69.002.5

## **АНАЛІЗ ШЛЯХІВ ПОКРАЩЕННЯ ЯКОСТІ ВИКОРИСТАННЯ БУЛЬДОЗЕРІВ**

*Юрків О. В., студент*

*Науковий керівник – Боратинський О.В., ст. викл.*

*Національний лісотехнічний університет України*

Під час будівництва автомобільних доріг майже третина, від загального обсягу, робіт виконується з застосуванням бульдозерів.

З метою покращення ефективності використання бульдозерів, наприклад підвищити ступінь механізації певних технологічних операцій, без збільшення кількості машин і машиністів-операторів, пропонується їх оснащувати швидкознімними багатоцільовими робочими органами.

Розроблення бульдозерами складних типів ґрунтів (наприклад, III-IV категорії) є досить проблематичним, адже веде до зниження продуктивності



робіт, а трудомісткість може сягати 45-60% від сумарної трудомісткості бульдозерних робіт. Для вирішення проблеми такого характеру пропонується застосовувати знімне робоче обладнання, в якому реалізується принцип концентрації зусилля на розроблюваний ґрунт шляхом зменшення довжини, а часто і виступання вперед, ріжучої крайки середньої частини ножа. Параметри такого ножа різнились і задавались авторами досліджень виходячи з умов майбутнього застосування бульдозерів. Рациональна ширина виступаючої частини відвалу, згідно проведених експлуатаційних випробувань, становить 0,33-0,16 ширини відвалу. Така конструкція дозволяє збільшити технічну продуктивність бульдозерів майже на 25% за рахунок більш швидкого формування й компактнішої форми призми волочіння. Ефективність застосування відвалів з середнім ножом, що виступає, знижується під час розроблення липких і зволжених ґрунтів, оскільки зростає сумарний опір ґрунту різанню внаслідок налипання їх на відвал.

Для долання подібного роду труднощів пропонується застосовувати бульдозери з гідрофікованим перекосом відвалу.

Як показала практика експлуатації таких зразків бульдозерного обладнання, їх технічна продуктивність може зростати до 25% на розробленні легких типів ґрунтів. З недоліків бульдозерів з перекосом відвалу в поперечній площині відзначається робота металевих конструкцій робочого обладнання в складнонапруженому стані та часткова втрата курсової стійкості під час прямолінійного переміщення. Одним з варіантів підвищення ефективності використання бульдозерів є застосування конструкцій робочого обладнання, що дозволяє змінювати кут різання під час розроблення ґрунтів. Робоче обладнання такого характеру дозволяє, в залежності від фізико-механічних якостей ґрунтів і режиму роботи, збільшити робочу швидкість, зменшити кількість вмикань системи керування та знизити питому енергомісткість процесу копання шляхом раціональної зміни кута різання. Певні його значення встановлюються для різних етапів процесу розроблення ґрунтів: під час заглиблення робочого обладнання в ґрунт, він рекомендується в межах  $65^{\circ}$ - $70^{\circ}$ ; під час наступного різання ґрунту – до  $55^{\circ}$ ; під час набирання ґрунту й формування призми волочіння –  $40^{\circ}$ - $55^{\circ}$ . Серед перспективних напрямів, щодо вдосконалення бульдозерного робочого обладнання, слід відзначити їх оснащення щелепним захватом з середнім ножом, що виступає. Таке обладнання матиме застосування для влаштування різного роду неглибоких траншей. Бульдозерне обладнання з щелепним захватом буде зручним в застосуванні під час захоплення і транспортування різного роду предметів (труби і їх елементи, стовбури дерев тощо), прибиранні каміння, валунів, пеньків і т. д. Тобто таке обладнання можна широко застосовувати на спорудженні певних типів доріг, наприклад лісових, або ж під час будівництва специфічних ділянок доріг загального користування.

Практика експлуатації такого обладнання показала такі варіанти роботи бульдозера: за верхнього розташування щелеп відвал застосовується і працює за традиційною схемою; середнє положення забезпечує роботу ножів щелепи та бульдозера один за одним на одному рівні; під час нижнього розміщення

щелепний захват опирається на ніж відвалу, що дозволяє ножу щелеп виступати з-під ріжучої крайки ножа бульдозера. Пропонована конструкція робочого бульдозерного обладнання підвищує ефективність розроблення як щільних, так і сипких типів ґрунтів, а також може бути встановлена на тягачах будь-якого типорозміру. Максимального ефекту можна буде досягти на бульдозерах малої та середньої потужності, через їх широке використання на різних видах робіт. Поліпшення технології робочого процесу бульдозерів – ще одна цікава та досліджувана вченими проблема, пов'язана з ефективністю використання бульдозерів, яку можна розв'язати внаслідок зниженням енергоємності процесу копання шляхом поліпшення профілю відвальної поверхні та форми відвалу в плані. Однак реалізувати єдину оптимальному форму відвалу важко, оскільки вона змінюється відповідно до характеру ґрунтових умов і виду земляних робіт. При цьому форма відвалу має задовольняти не лише операції копання, а й переміщення ґрунту, так як вона в значній мірі визначає ефективність роботи бульдозера. Ефективність робочого процесу бульдозерів може бути істотно підвищена оснащенням відвалів пристроями, що знижують втрати ґрунту при копанні та транспортуванні. На практиці для цього застосовують додаткове обладнання – уширювачі та відкрилки, які легко встановлювати в різні положення в залежності від умов експлуатації з допомогою різних видів сучасних систем керування.

Потрібно відзначити, що пропоновані різноманітні варіанти вдосконалення робочого обладнання бульдозерів, для підвищення ефективності їх застосування, дозволяють розширити межі раціонального використання бульдозерів, знизити долю ручної праці та кількість залучених машин для виконання аналогічних операцій. Важливим також є те, що обладнати серійні типи бульдозерів пропонованими варіантами вдосконалень їх робочих органів, можна шляхом їх виготовлення силами самих експлуатованих підприємств і організацій.

УДК 629.014.63

## **ДОСЛІДЖЕННЯ ПОШКОДЖЕНЬ ТА ВІДНОВЛЕННЯ ДЕТАЛЕЙ КОРОБКИ ПЕРЕДАЧ ТРАКТОРІВ ХТЗ-181**

*Лінкевич Д.Ю., студент*

*Науковий керівник – Сиволапов В.А., ст.викл.*

*Національний університет біоресурсів і природокористування України*

Оскільки коробка передач є важливою складовою трансмісії трактора, має складну конструкцію та високу вартість, дуже важливо проводити ремонт та регулювання її в відповідності з технічними вимогами.

До основних дефектів корпусу коробки передач належать органічні і мінеральні відклади на внутрішніх стінках, тріщини і зломи, пошкодження

різьби, неплоскостність привалкових поверхонь, спрацювання поверхонь під підшипники, їх стакани, валики і фіксатори.

При наявності зломів, які виходять на поверхню отворів, корпус коробки передач вибраковуюють. Тріщини розробляють під кутом  $90^\circ$  С, кінці їх засвердлюють свердлом діаметром 3...4 мм. Заварити дротом ПАНЧ-11. Обробити нерівності зварного шва з плавним переходом. Зварний шов повинен бути рівним, щільним, без тріщин, пористості, непроварених місць і напливів. Після цього його зачищають і перевіряють на герметичність. При перевірці на герметичність, на протязі 5 хвилин поява плям гасу на поверхні зварного шва, обробленого крейдою, не допускається.

При пошкодженні різьби отвір розсвердлюють, нарізають різьбу і встановлюють ремонтну пробку на епоксидній суміші. Зміщення осей відновлених різьбових отворів допускається не більше як на 0,25 мм від їх номінального розміщення. Допустимий спосіб - розсвердлити отвір, нарізати різь, вкрутити різьбову спіральну вставку.

Спрацьовані отвори під підшипники і стакани підшипників розточують, проводять місцеве остальювання і знову розточують до нормальних розмірів. Під час остальювання поверхня повинна бути рівною, срібристо-білого кольору. Тріщини, відшарування, пори, раковини, темні смуги на поверхні покриття не допускаються.

Електролітичне осадження металу проводиться в наступному режимі. Травлення остальюваної поверхні кислотою соляною технічною. Декапувати при зворотній полярності (Залізо двохлористе ГОСТ 4149-65 (250...300 г), кислота соляна технічна ГОСТ 1382-89 (1...1,5 г),  $t=20...40^\circ\text{C}$ , щільність струму  $5 \text{ A/дм}^2$ , напруга 12 В, відношення анодної поверхні до катодної 2:1, час 5 хв.). Електролітичне осадження металу в режимі (Залізо двохлористе ГОСТ 4149-65 (250...300 г), кислота соляна технічна ГОСТ 1382-89 (1...1,5 г),  $t=20...40^\circ\text{C}$ , щільність струму  $30...40 \text{ A/дм}^2$ , напруга 12 В, відношення анодної поверхні до катодної 2:1, час 60..180 хв.).

Основними дефектами валів коробки передач є спрацювання шлиців, поверхонь під підшипники кочення, зубів по товщині, канавок під ущільнювальні кільця вторинного вала, органічні і мінеральні відклади в його каналах, пошкодження різьби, тріщини, поломка і викришування зубів. Спрацювання стінок канавок вторинного вала під ущільнювальні кільця допускається до 2,63 мм.

Кінці валів з пошкодженою різьбою наплавляють віброконтактним способом наплавочним дротом 1,8Нп-50, обточують наплавлений кінець до нормальних розмірів, фрезерують лиски і канавки чи свердлять отвори відповідно до конструкції вала та нарізають нову різьбу.

При незначному спрацюванні посадочних поверхонь під підшипники кочення (до 0,06 мм на діаметр) їх відновлюють за допомогою еластомера ГЭН-150В. При значному спрацюванні (більше 0,06 мм) поверхні наплавляють віброконтактним способом наплавочним дротом 1,8Нп-50, обточують і шліфують до нормальних розмірів. Після обточування поверхні обробляють пластичним деформуванням за допомогою обкатки роликками.

Спрацьовані шліци (при зменшенні їх товщини на 0,5 мм і більше) наплавляють у середовищі вуглекислого газу, потім вал обточують, фрезерують шліци і гартують їх за допомогою струму високої частоти. Після цього вал шліфують до нормального діаметра.

Відновлення деталей коробки передач механізованим наплавленням в середовищі вуглекислого газу.

Наплавленням деталей коробки передач в середовищі вуглекислого газу усувають дефекти різьб, знос осей і валів, шліців більше 0,7 мм по діаметру та інші.

Режими наплавлення вибирають так, щоб було забезпечено отримання якісного наплавленого шару, мінімальний припуск на механічну обробку поверхонь. Деталі наплавляють на постійному струмі зворотної полярності. Витрата вуглекислого газу 7 ... 10 л/хв.

В залежності від призначення деталі, матеріалу і термічної обробки рекомендується наступні марки електродного дроту: Св-08ГС, Св-08Г2С, Св-18ХГСА, Нп-30ХГСА. Для наплавлення різьбових поверхонь застосовують дріт Св-08Г2С, а для шліців і шийок валів - Нп-30ХГСА, Св-18ХГСА.

На якість наплавленого металу і стабільність процесу наплавлення істотний вплив робить стан поверхні електродного дроту. Вона зазвичай покрита тонким шаром технологічного змащення, а іноді органічними антикорозійними речовинами (оліями), які погіршують стійкість процесу наплавлення, підвищують розбрикування металу, служать причиною утворення в наплавленому металі пор. У зв'язку з цим електродний дріт рекомендується прожарювати при температурі 100 ... 150 ° С протягом 1 ... 1,5 годин.

Необхідно враховувати також, що очищений від масла і бруду дріт забезпечує сталість контактної опору між нею і контактним наконечником пальника, стабілізуючи тим самим силу зварювального струму, а отже, і процес наплавлення.

Режим наплавлення визначається такими параметрами, як сила зварювального струму, напруга дуги, швидкість наплавлення, виліт електрода, крок наплавки і зміщення електрода з зеніту.

При встановленні конкретних параметрів режиму рекомендується керуватися наступними міркуваннями.

Перш за все вибирають діаметр електродного дроту і швидкість наплавлення, значення яких встановлюють залежно від діаметра ремонтної деталі та зносу. Чим менше знос, тим менше повинен бути діаметр електродного дроту і більше швидкість наплавлення. Зі зменшенням діаметра деталі знижують і силу зварювального струму.

Діаметр електродного дроту необхідно вибирати мінімальним, тому що, незважаючи на підвищення вартості електродного дроту при зменшенні її діаметра забезпечується менша товщина шару з невеликим припуском на обробку, підвищується стійкість процесу і збільшується коефіцієнт наплавлення, знижується сила зварювального струму, а отже, і тепловий вплив на деталь.

Швидкість наплавлення доцільно вибрати можливо більшу, виходячи з умов формування наплавляються валиків і надійності захисту дуги.

Напруга на дузі слід вибрати на 0,5 ... 1 В вище мінімально можливого для забезпечення сталого процесу наплавлення.

Виліт електродного дроту треба встановлювати можливо великим, але не допускаючи блукання дуги через перегрів кінця електрода.

Сила зварювального струму при заданій напрузі, діаметрі електродного дроту і швидкості наплавлення встановлюють (завдяки зміні швидкості подачі електродного дроту) такою, щоб забезпечувався припуск на подальшу механічну обробку не більше 0,8 ... 1,2 мм. Виліт електрода повинен бути в межах 8 ... 15 мм.

Кожна деталь має свій знос, свою металоємність, а отже, і свою теплоємність. Відновлювана поверхня володіє різною інтенсивністю відведення тепла від місця наплавлення. При напавленні в середовищі вуглекислого газу найважчим вважається початок наплавлення до встановлення стабільного процесу переносу металу. Чим масивніше деталь і більше тепловідвід від дуги і зварювальної ванни, тим триваліша стабілізація процесу і найімовірніше поява в цей час пор і неспавлення електродного металу з основним.

Один із застосовуваних технологічних прийомів - наплавлення першого кругового валику без включення поздовжньої подачі.

При напавленні поверхні малого діаметра, що переходить в поверхню більшого діаметра, наплавку переважніше починати з поверхні малого діаметра і продовжувати її в напрямі поверхні великого діаметру від кінця до середини вала.

UDC 621.643

## SYSTEM OF STABILIZATION OF THE SPEED OF PIPE DEVICES

<sup>1</sup>*Halem A.A., master*

*Scientific supervisors – <sup>1</sup>Zaichenko S.V., Doctor of Technical Sciences, Professor,*

*<sup>2</sup>Shalenko V.O., PhD, Associate Professor,*

*<sup>2</sup>Masluyk A.A., postgraduate student*

<sup>1</sup>*National Technical University of Ukraine "Igor Sikorsky Kyiv Polytechnic Institute"*

<sup>2</sup>*Kyivsky National University of Construction and Architecture.*

The main way of ensuring high economic and environmental performance of hydrocarbon transportation is pipeline transport. The products of gas wells contain a certain amount of impurities. These impurities lead to the formation of deposits in the form of complex compounds - hydrates. These deposits lead to an increase in hydraulic resistance in the pipelines and, as a consequence, to a decrease in productivity. Common methods for removing hydrates include reducing the pressure at a predetermined

temperature, increasing the temperature, introducing inhibitors, sublimation of hydrates, and a combination of different methods. These methods have a number of disadvantages that are related to their energy and material consumption, poor efficiency.

At the same time, pipe devices that move due to the hydraulic energy of the product are widely used in the purification and diagnosis of oil pipelines. These devices have high economic and environmental performance and provide high guaranteed quality of cleaning of paraffin and resin deposits [1]. The main problem with using this method of gas pipeline cleaning is the high speed of gas movement (up to 25 m / s) and the ability of gas to accumulate energy. The ability of gas to accumulate energy when using piston-type internal tube devices in the event of a temporary stop will cause the device to accelerate, with further destruction of system elements.

The solution to using piston in-pipe devices for gas pipelines is to create a system of stabilization of the speed of movement. The main purpose of this system is to prevent the device from stopping and overlocking.

The purpose of this study is to develop and substantiate the parameters of the system for stabilizing the speed of reciprocating piston devices (fig. 1).

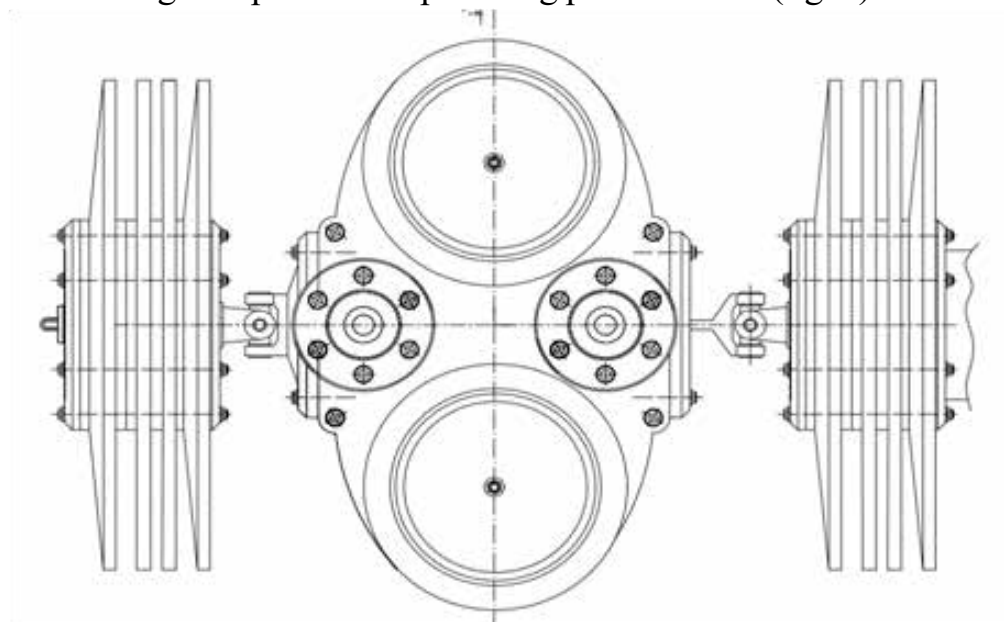


Fig. 1. Appearance of the drive part of the intra-tube device

To solve this problem, a mechanical speed stabilization system has been developed, the main elements of which are: a mechanical energy accumulator, a multiplier and a wheel drive. The peculiarity of this system is the partial selection of the energy of the transported gases. Partial extraction of the energy of the transported gases will reduce the speed of movement of piston in-pipe devices up to 1-2m / s.

#### Reference:

1. Shevchuk SP, Zaichenko SV, Streltsova IM A device for cleaning the main oil pipeline from asphalt-resin paraffin deposits / S.P.Shevchuk, S.V.Zaychenko, I.M. Streltsov. - Collection of scientific works works "Problems of subsoil use". Part I., St. Petersburg, 2012, pp. 208-210.



## СТРУКТУРА БІМЕТАЛЕВИХ ВИЛИВКІВ

*Киця В.О., студентка*  
*Науковий керівник – Афтандіянц Є.Г., д.т.н., проф.*

*Національний університет біоресурсів і природокористування України*

Послідовність етапів формування біметалевих виливків в процесі заливки робочого шару на затверділу металеву основу і їх охолодження в ливарній формі показана в табл. 2.

Залежно від співвідношення температур початку та закінчення розпаду аустеніту металу-основи і робочого шару формування біметалевої виливки включатиме етапи VIII \* - XI \* або VIII \*\* - XI \*\*.

Таблиця 2 – Етапи процесу формування біметалевих виливків при заливанні робочого шару на затверділу металеву основу

№ етапу	Стан і структура		
	робочого шару	металу-основи	
I	Немає	Розплав	
II	Немає	Окислення і знеуглецювання контактної (вільної) поверхні	
III	Флюс на контактної (вільної) поверхні металу-основи	Ферит (на контактної поверхні) + Аустеніт	
IV	Розплав		
V	Розплав + Аустеніт		
VI	Розплав + Аустеніт + Евтектика		
VII	Аустеніт + Евтектика		
VIII*	Аустеніт + Евтектика + Ферит + Карбиди		
IX*	Ферит + Евтектика + Карбиди		
X*	Ферит + Евтектика + Карбиди		Ферит (на контактної поверхні) + Аустеніт + Ферит + Карбиди
XI*			Ферит + Карбиди
VIII**	Аустеніт + Евтектика		Ферит (на контактної поверхні) + Аустеніт + Ферит + Карбиди
IX**	Аустеніт + Евтектика	Ферит + Карбиди	
X**	Аустеніт + Евтектика + Ферит + Карбиди	Ферит + Карбиди	
XI**	Ферит + Евтектика + Карбиди	Ферит + Карбиди	

Після заливки металеві основи відбувається окислення і знеуглецювання її вільної поверхні. При аналізі експериментальних даних, наведених в роботах, встановлено, що вплив температури на швидкості

окислення і зневуглецювання поверхні вуглецевих сталей на повітрі описується наступними рівняннями:

$$V_{\text{ок}} = 1,3 \cdot 10^{-22} \cdot t^{7,05}, \quad R = 0,972 \quad (1)$$

$$V_{\text{фер}} = 0,000214 \cdot \exp(0,0073 \cdot t), \quad R=0,998 \quad (2)$$

де  $V_{\text{ок}}$  – швидкість окислення, мкм/с;  $V_{\text{фер}}$  – швидкість зневуглецювання, мкм/с;  $t$  – температура, °С,  $R$  – множинний коефіцієнт кореляції.

Зміни швидкості зневуглецювання і окислення вуглецевих сталей в інтервалі температур від 1300 до 1500 °С, що розраховані за рівняннями (1) і (2), показані на рис. 1.

З метою рафінування вільної поверхні металу-основи від оксидів вводили синтетичний флюс наступного складу (в мас. частках,%): 60 – 80  $\text{Na}_2\text{B}_4\text{O}_7$ , 10 – 30  $\text{B}_2\text{O}_3$ , 4 – 6  $\text{K}_2\text{ZrF}_6$ , 2 – 6  $\text{SiO}_2$ . При цьому утворюється захисна плівка флюсу, що перешкоджає подальшому окисленню і зневуглецюванню поверхні.

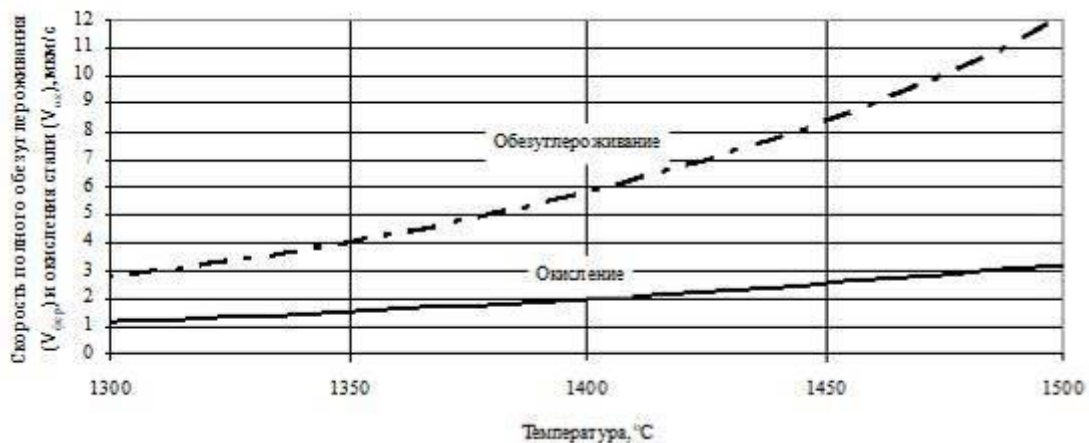
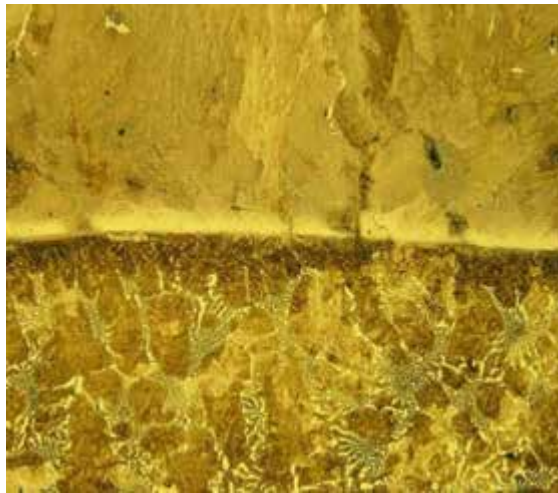


Рис. 1. Вплив температури на швидкість зневуглецювання і окислення вуглецевих сталей

Для оцінки точності розрахунків досліджували глибину зневуглецюваного шару біметалевих виливків "сталь 70 ГЛ - чавун ЧХ22". Засипку флюсу на вільну поверхню сталеві основи робили після 10 секунд після закінчення її заливки. Робочий шар заливали після 8 секунд після засипки флюсу. Результати експериментів показують, що глибина зневуглецюваного шару змінюється від 132 до 378 мкм при середньому значенні 246 мкм (рис. 2).



Метал-основа  
(сталь 70ГЛ)

Робочий шар  
(чавун ЧХ22)

Рис. 2. Мікроструктура зони контакту робочого шару та металу-основи, x100.

Виконаний аналіз показує, що в процесі заливки і охолодження рідкого чавуну формування перехідної зони відбувається в результаті дифузії компонентів робочого шару в сталеву основу крізь знеуглецьований феритний прошарок.

В процесі заливки робочого шару відпрацьований флюс видаляється з поверхні металу-основи і формування біметалевої виливки відбувається в умовах контакту затверділої сталі з чавуном, що знаходяться в рідкому, рідко-твердому і твердому станах.

УДК 669.14.018.25:620.18:539.374

## МОДЕЛЮВАННЯ ЛИВАРНИХ ВЛАСТИВОСТЕЙ СТАЛЕЙ

*Осадчий Є.О., студент*

*Науковий керівник – Афтандіянець Є. Г., д.т.н., проф.*

*Національний університет біоресурсів і природокористування України*

Результати визначення параметрів дендритної структури приведені на рис. 1.



а



б

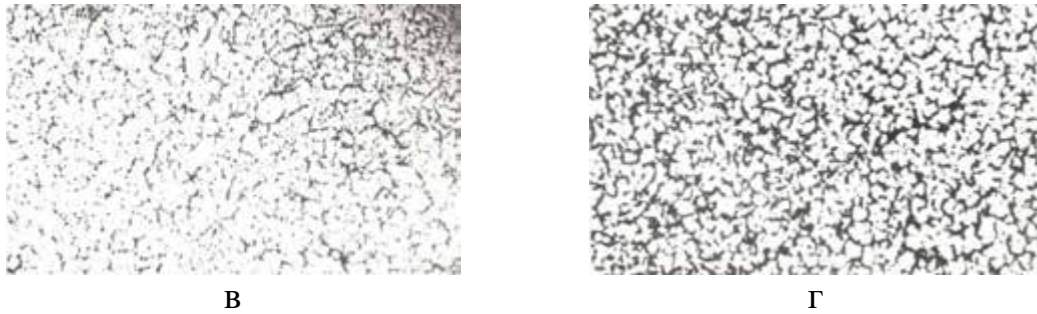


Рис. 1. Зони транскристалізації (а, б) и дезорієнтованих (в, г) дендритів в виливках з сталей 20ХГСЛ (а, в) и 40ХЗГЗСЗЛ (б), 20ХГСАФЛ (г)

У процесі охолодження виливку після заливки металу в форму визначали такі параметри вільної ливарної усадки конструкційних сталей, як температура почала ливарної усадки ( $t_{нлу}$ ), максимальна величина перед усадочного розширення ( $\varepsilon_{пп}$ ), температура початку усадки після перед усадочного розширення ( $t_{ну}$ ), коефіцієнт ливарної усадки аустеніту ( $K_{лу}$ ), що визначали за формулою (1).

$$K_{лу} = (l_2 - l_1) / (t_{фп} - t_{ну}) \cdot l_1, \quad (1)$$

де  $l_1$  и  $l_2$  відповідно довжина зразку при температурах початку ливарної усадки після пред усадкового розширення ( $t_{ну}$ ) і розпаду аустеніту ( $t_{фп}$ ).

Враховуючи, що вплив легуючих елементів, модифікаторів і домішок на процес ливарної усадки стали пов'язано в основному зі зміною ними прихованої теплоти кристалізації ( $q_{кр}$ ), величини перегріву над температурою ліквідусу ( $\Delta t_{л}$ ) і дисперсності дендритної структури ( $l_{ст}$ ,  $l_{д}$ ) встановили, що кількісна закономірність впливу вихідних факторів на температуру початку ливарної усадки ( $t_{нлу}$ , °C) має такий вигляд:

$$t_{нлу} = 892 - 9,53 \cdot \lambda_s + 1,135 \cdot q_{кр} + 77,34 \cdot l_{ст} + 8,691 \cdot \Delta t_{л} + 490,5 \cdot l_{ст} \cdot l_{д} - 81,75 \cdot l_{ст}^2 - 782,6 \cdot l_{д}^2 - 0,02483 \cdot \Delta t_{л} \cdot q_{кр}, \quad (2)$$

$$R = 0,954; \delta = 0,43\%; F_p = 16,4 > F_T^{0,01} = 4,3.$$

Величина максимального предусадкового розширення ( $\varepsilon_{пп}$ , %) визначається наступною залежністю:

$$\varepsilon_{пп} = 2,2 - 3,2 \cdot 10^{-3} \cdot q_{кр} + 1,85 \cdot \Delta_2 - 0,924 \cdot l_{д} - 2,09 \cdot 10^{-2} \cdot \Delta t_{л} + 0,155 \cdot l_{ст} \cdot l_{д} - 5,32 \cdot 10^{-2} \cdot l_{ст}^2 + 2,67 \cdot 10^{-5} \cdot \Delta t_{л} \cdot q_{кр}, \quad (3)$$

$$R = 0,914; \delta = 9,6\%; F_p = 10,2 > F_T^{0,01} = 4,28.$$

Температура початку ливарної усадки після предусадкового розширення

( $t_{ny}$ ) з імовірністю 99% і похибкою 0,15% пов'язана з температурою початку ливарної усадки ( $t_{нлу}$ ) і величиною максимального перед усадочного розширення ( $\varepsilon_{ппр}$ ) наступною формулою:

$$t_{ny} = 29,9 + t_{нлу} \cdot (0,978 - 0,068 \cdot \varepsilon_{ппр}),$$

$$R = 0,993; \delta = 0,15\%; F_p = 676 > F_T^{0,01} = 5,93. \quad (4)$$

Враховуючи, що коефіцієнт ливарної усадки, по фізичному змісту зворотний коефіцієнту лінійного розширення, залежить в основному від сил міжатомних зв'язків елементів визначили його залежність від ступеня легування аустеніту, тобто від хімічного складу сталі. Кількісна закономірність такого впливу має такий вигляд:

$$K_{лу} = (12 + 45 \cdot Si + 78,25 \cdot Si \cdot Mn - 46,84 \cdot Si \cdot Cr - 595,5 \cdot C \cdot Si \cdot Mn -$$

$$- 104,6 \cdot Si \cdot Mn \cdot Cr + 748,5 \cdot C \cdot Si \cdot Mn \cdot Cr) \cdot 10^{-6}, \quad (5)$$

$$R = 0,894; \delta = 6,4\%; F_p = 9,96 > F_T^{0,01} = 4,32.$$

Зміна повної ливарної вільної усадки досліджених сталей з імовірністю 95% описується наступною формулою:

$$\varepsilon_{лун} = 6,63 - 14,69 \cdot C - 14,69 \cdot C - 0,323 \cdot Si + 0,377 \cdot Cr + 19,2 \cdot V - 226,2 \cdot N -$$

$$- 17,87 \cdot \varepsilon_{ппр} + 37,5 \cdot K_{лу} \cdot t_{ny} + 1226 \cdot \varepsilon_{ппр} \cdot K_{лу} \cdot t_{ny}, \quad (6)$$

$$R = 0,828; \delta = 7,4\%; F_p = 3,53 > F_T^{0,05} = 2,77.$$

Аналіз впливу легуючих елементів на зміну ливарної усадки сталі 20ХГСЛ показує, що з ростом вмісту в сталі марганцю і хрому ливарна усадка збільшується, а в разі вуглецю, кремнію, азоту та спільного легування азотом і ванадієм - зменшується. За питомою ефективністю впливу елементи можна розташувати в наступній послідовності: Cr, V, Si, Mn, C, V+N, N.

УДК 622.771.2

## МАШИНИ ДЛЯ ЗБАГАЧЕННЯ ГІРСЬКОЇ ПОРОДИ

*Житник А.Б., студент*

*Наукові керівники – Шаленко В.О., к.т.н., доц., Косминський І.В., к.т.н., доц.,*

*Київський національний університет будівництва і архітектури*

Добуті з глибин землі корисні копалини, як правило, не використовуються у своєму первинному вигляді, а потребують подальшого збагачення для

набуття концентрату певного мінімального вмісту цінного компоненту. Наприклад, у металургійній промисловості не можливо отримати високоякісний метал, якщо вигідна руда матиме високий вміст забруднюючих домішок. Така ж ситуація спостерігається і в будівельній галузі. Наприклад, якість бетонних виробів залежить насамперед від однорідності фізичних властивостей заповнювачів. Тому легко впевнитися у потребі створення машин для ефективного та економічного збагачення матеріалів.

На сьогодні існує велика кількість методів збагачення гірничої маси. Найбільш поширеними методами є: флоктаційні; гравітаційні; магнітні та електричні.

Флоктаційні та гравітаційні методи збагачення пов'язані з присутністю великої кількості рідини, великих виробничих площ та значних енергетичних затрат, а це призводить до збільшення собівартості кінцевого продукту в декілька разів, порівняно з початковою.

Магнітні та електричні методи спираються на відповідні специфічні властивості матеріалів. Недоліком таких методів є певна обмеженість їхнього застосування.

Отже, стає все актуальнішим необхідність створення машин, які дадуть змогу проводити збагачення матеріалів без використання великих виробничих площ та значних енергетичних затрат і які зможуть бути встановлені безпосередньо в умовах шахти, кар'єру чи будівельного майданчику.

Тому, як свідчить світова практика використання збагачувальних технологій і пошук необхідного методу слід вести у напрямі відсутності рідини (суспензії). Один із таких методів безрідинного, тобто "сухого" збагачення є вибіркоче дроблення. Його суть полягає у розділенні гірничої маси на міцні та слабкі складові, шляхом пропускання першої складової та дроблення другої складової гірничої маси.

УДК 691.328

## **ІНТЕНСИФІКАЦІЯ БЕТОННОЇ СУМІШІ ПРИ ФОРМУВАННІ ЗАЛІЗОБЕТОННИХ ВИРОБІВ**

*Попроцька О.Д., студентка*

*Наукові керівники – <sup>1</sup>Шаленко В.О., к.т.н., доц., <sup>2</sup>Зайченко С.В., д.т.н. проф.,*

*<sup>1</sup>Корнійчук Б.В., к.т.н., доц.*

*<sup>1</sup>Київський національний університет будівництва і архітектури*

*<sup>2</sup>НТУУ „Київський політехнічний інститут ім. І. Сікорського”*

У відповідності до загальної функціональної структурної схеми вітчизняною та закордонною промисловістю створені робочі органи, якими обладнують формувальні агрегати послідовної дії.



Залежно від умов роботи агрегату, виду оброблюваного середовища, параметрів виробу тощо до складу робочих органів входять ті чи інші механізми, вони мають одно- або багатоступінчасту каскадну схему ущільнення. Спільне для всіх схем є послідовне об'єднання спеціалізованих механізмів для безперервного виконання операцій формування.

Складність при забезпеченні ефективної експлуатації робочих органів агрегату полягає у створенні стабільного однорідного потоку суміші на виході із роздавального бункера перед ущільнюючим механізмом. Для досягнення цього конструкторами пропонувались ряд технічних рішень, які були направлені на інтенсифікацію потоку суміші, що витікає із бункера.

Для підвищення ефективності робочих органів бетоноформувальних агрегатів був запропонований для втілення новий удосконалений пристрій, конструкція якого показана на рис. 1.

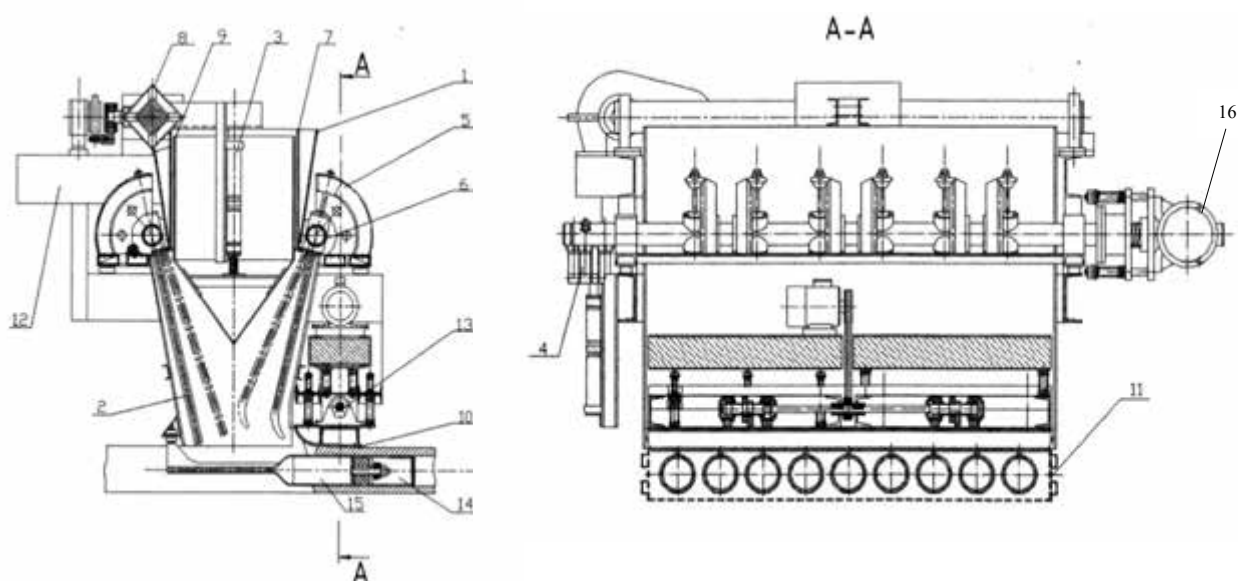


Рис. 1. Робочий орган бетоноформувального агрегату

Поставлена мета досягається тим, що пристрій, вміщує в собі бункер 1, який складається з нижньої і верхньої частин. На бокових стінках нижньої частини розміщені дві осі 6 із стержнями 2, які отримують полічастотну вібрацію від віброзбуджувачів 16, закріплених на цих осях. Осі 6 мають можливість за допомогою гідроциліндра 3, важільної системи 4 і конічних зубчатих передач 5, повертатись навколо власних осей. Стержні 2 жорстко зв'язані із осями 6 і тому під час їх обертання здійснюють коливальний рух у порожнині бункера. В верхній частині бункера розміщена лопать 9, яка здатна розсуватись у вертикальному напрямку за допомогою встановленого всередині гідроциліндра 3 і переміщуватись у горизонтальному напрямку по напрямній 8.

Кінцеве ущільнення бетонної суміші здійснюється за допомогою вібролижі 10 і касети пустотоутворювачів 15, які отримують коливання від віброджерела, встановленого на цій вібролижі. За допомогою рекомендованої конструкції, яка сприяє витіканню суміші у форму, розподіленню її, попередньому і завершальному ущільненню під дією полічастотних коливань можливо суттєво підвищити продуктивність агрегату і якість формуваних виробів.

Незважаючи на позитивні результати експлуатації поверхневих вібраційних машин та економічні розрахунки, що підтверджують їх ефективність, вітчизняна промисловість не налагодила їх серійного випуску, що пояснюється організаційними та науково-технічними недосконаlostями в цілому по промисловості.

УДК 621.79

## **ОСОБЛИВОСТІ ОБКАТКИ ДВИГУНІВ ВНУТРІШНЬОГО ЗГОРЯННЯ ПІСЛЯ РЕМОНТУ**

*Осадчий Є., Гура М., студенти  
Науковий керівник – Новицький А.В., к.т.н., доц.*

*Національний університет біоресурсів і природокористування України*

Встановлення та запуск двигуна на мобільний енергетичний засіб (МЕЗ) є не менш важливим етапом ремонту, ніж інші. Практика показує, що в багатьох майстернях з помилками при установці двигуна пов'язані не менше 30... 40% всіх несправностей, які з'являються в експлуатації після ремонту [1, 2].

При роботі двигуна внутрішнього згорання (ДВЗ) після ремонту контролюється димність відпрацьованих газів. Синій дим, зазвичай, свідчить про збільшене згорання оливи. Якщо перед ремонтом двигун мав велику витрату оливи, то олива може бути у випускній системі. У цьому випадку двигун може диміти досить тривалий час (до 1,5...2 год. роботи), поки олива не вигорить. У той же час, колір відпрацьованих газів може свідчити і про неякісне складання двигуна.

Початковий період обкатки двигуна мобільного енергетичного засобу (МЕЗ) на місці, включає всі необхідні перевірки і регулювання, і складає 2...3 год. і більше. Якщо всі системи працюють нормально, то обкатка може бути продовжена в русі МЕЗ на середніх частотах обертання і навантаженнях.

Для перевірки роботи двигуна, як правило, цілком достатньо пробігу 5...10 км, після чого слід повторити перевірки і, якщо необхідно, провести регулювання. Особливу увагу тут слід приділити контролю підтікання технічних рідин ДВЗ. Незайвим буде перевірити колір оливи, якщо двигун зібраний правильно, воно практично не змінить кольору. Сірий відтінок оливи може свідчити про інтенсивний знос вкладишів підшипників або поршнів в початковий період обкатки, що може бути наслідком неякісного складання або застосування запасних частин і деталей низької якості.

Ефективна обкатка ДВЗ після капітального ремонту може бути забезпечена протягом перших 50 год. роботи (як для нового двигуна). У цей період рекомендується уникати повних навантажень і високих обертів ДВЗ. У період обкатки відбувається рівномірне припрацювання деталей циліндро-поршневої групи, шестерень, підшипників та інших деталей з метою

зменшення їх подальшого зносу, стабілізується витрата олив. Перевантаження у вказаний період негативно позначиться на припрацюванні деталей і спричинить за собою скорочення терміну служби ДВЗ.

В процесі експлуатації ДВЗ слід стежити за показниками контрольно-вимірвальних приладів і сигнальних пристроїв МЕЗ. Температура охолоджуючої рідини двигуна повинна бути в межах 75...90<sup>0</sup>С. Допускається короткочасне (до 10 хв.) підвищення температури до 95<sup>0</sup>С. Після пуску прогрівання двигуна до робочих температур необхідно проводити зі збільшенням навантаження. Не слід прогрівати двигун, допускаючи його тривалу роботу на мінімальній частоті обертання холостого ходу. Як тільки двигун почне реагувати на зміну подачі палива і буде забезпечено нормальний робочий тиск, необхідно поступово збільшувати частоту обертання до середньої робочої і починати рух МЕЗ на знижених передачах.

Повне навантаження непрогрітого ДВЗ не допускається. Також, не допускається робота двигуна під навантаженням при температурі охолоджуючої рідини нижче 50<sup>0</sup>С, тому що при цьому значно погіршується згоряння палива, на стінках гільз конденсуються продукти неповного згоряння, різко зростає знос гільз циліндрів і поршневих кілець. Ознакою готовності двигуна до прийняття навантаження є його реагування на зміну подачі палива.

Слід пам'ятати, що тиск оливи в магістралі блоку прогрітого ДВЗ повинен бути в межах 400...700 кПа при номінальній частоті обертання і не менше 100 кПа при мінімальній частоті обертання колінчастого валу. Якщо при роботі двигуна починає горіти лампа світлового сигналізатора масляного фільтра, слід замінити фільтруючі елементи.

Не експлуатація МЕЗ з лампою сигналізатора, яка світиться. Горіння лампи допускається не більше 1 хв. після пуску двигуна. При роботі ДВЗ, особливо в період обкатки, необхідно контролювати за відсутністю сторонніх шумів. Перед зупинкою МЕЗ двигун повинен протягом 2-3 хв. працювати без навантаження при середній частоті обертання колінчастого валу. Після закінчення періоду обкатки ДВЗ необхідно виконати комплекс робіт в обсязі, який передбачається технічним обслуговуванням МЕЗ.

Ефективність проведення робіт з ремонту та обкатки, в значній мірі, залежить від організації роботи інженерно-технічної служби, наявних в аграрних підприємствах ремонтної майстерні, укомплектованості професійними кадрами, ремонтно-технологічним обладнанням та нормативною-технічною документацією [3, 4].

#### **Список використаних джерел:**

1. Новицький Андрій, Банний Олександр, Сиволапов Володимир, Новицький Юрій, Лозниця Леонід Запуск, регулювання та обкатка двигунів після ремонту. Журнал «Agroexpert». 2015 №8 (85). С. 64-69.
2. Новицький Андрій, Мельник Валентина, Банний Олександр, Сиволапов Володимир. Технічне обслуговування тракторів після експлуатаційної обкатки. Журнал «Agroexpert». вересень 2015 №9 (85). С. 64-69.
3. Ружилюк З.В., Новицький А.В. Огляд теоретичних досліджень надійного функціонування систем «ЛМС» під впливом технічного обслуговування і

- ремонт. Науковий Журнал «Технічний сервіс агропромислового, лісового та транспортного комплексів». Харків, 2016, Вип. 2 С. 223 – 231.
4. Новицкий А.В., Тарасенко С.Е., Харьковский И.С. Мониторинг показателей качества работы персонала при обеспечении надежности сельскохозяйственной техники. Сборник научных трудов «SWorld». Том 2, выпуск №1 (42), 2016 р. С. 69–72.

## ЗМІСТ

PHYSICAL AND TECHNOLOGICAL BASES OF METAL DEFORMATION (Фізико-технологічні основи деформації металів).....	3
ROLLING OF BILLETS (Прокатування заготовок).....	4
PRESSING OF METALS (Пресування металів).....	5
POWDER MATERIAL CLASSIFICATION ACCORDING TO THE APPLICATION (Класифікація порошкових матеріалів за призначенням).....	9
ELECTRIC ARC WELDING (Електричне дугове зварювання).....	10
CENTRIFUGAL CASTING (Відцентрове лиття).....	11
THE CLASSIFICATION OF CARBON STEELS (Класифікація вуглецевих сталей).....	13
BUILDING STEELS (Конструкційні будівельні сталі).....	15
ПОШКОДЖЕННЯ ГІЛЬЗ ЦИЛІНДРІВ ПРИ ЕКСПЛУАТАЦІЇ (КАВІТАЦІЯ) І МОНТАЖІ (НАДЛОМ БУРТУ).....	17
ВИГОТОВЛЕННЯ ТА РЕМОНТ КОНСТРУКЦІЙ ПІД ВОДОЮ ЗА ДОПОМОГОЮ ЗВАРЮВАННЯ.....	20
RENOVATION OF KIEV.....	21
КОНСТРУКТИВНЕ РІШЕННЯ ВОДОВІДВЕДЕННЯ В БУДІВЛЯХ І СПОРУДАХ.....	24
ТЕХНОЛОГІЯ ВИГОТОВЛЕННЯ ГРУНТОЦЕМЕНТНИХ ПАЛЬ.....	26
ОСОБЛИВОСТІ ПРОЕКТУВАННЯ ФУНДАМЕНТІВ СИЛОСНИХ БАШТ КОМПЛЕКСІВ ЗЕРНОСХОВИЩ.....	27
ВПЛИВ НА НАВКОЛИШНЕ СЕРЕДОВИЩЕ ЗАХОРОНЕННЯ РАДІОАКТИВНИХ ВІДХОДІВ.....	30
ІНЖЕНЕРНІ РІШЕННЯ РОЗУМНОГО БУДИНКУ.....	33
TAPER FOUNDATIONS AS THEY ARE.....	35
КОНСТРУКЦІЇ ДЕРЕВ'ЯНИХ ОБОЛОНОК ТА З КЛЕСНОЇ ДЕРЕВИНИ.....	37
ADVANTAGES OF BITUMINOUS MASTICS.....	40

ШВИДКОМОНТОВАНІ БУДІВЛІ ПОТЕНЦІАЛ ГАЛУЗІ БУДІВНИЦТВА.....	42
ТЕХНОЛОГІЯ ДРУКОМ В 3D ЦИВІЛЬНИХ БУДІВЕЛЬ.....	44
БУДІВЕЛЬНІ ТЕХНІКА НА БУДІВЕЛЬНОМУ МАЙДАНЧИКУ.....	46
HEAVY CONCRETE.....	49
COAGULATION ORGANIC BINDERS.....	51
ШКІДНИКИ ДЕРЕВ'ЯНВИХ БУДІВЕЛЬ ТА КОНСТРУКЦІЙ.....	51
ПОСЛІДОВНІСТЬ МОДЕЛЮВАННЯ ТА РОЗРАХУНКУ ЦЕХУ З ВИРОБНИЦТВА МЕТАЛЕВИХ КОНСТРУКЦІЙ.....	53
РОЗРАХУНОК МІЦНОСТІ ЗАЛІЗОБЕТОННИХ КОНСТРУКЦІЙ, ПОСИЛЕНИХ ПОПЕРЕДНЬО НАПРУЖЕНИМИ ЗАТЯЖКАМИ.....	55
ОСОБЛИВОСТІ КОНСТРУЮВАННЯ ТА РОЗРАХУНКУ КОНСТРУКЦІЇ СКЛЕПІННЯ.....	58
АЛГОРИТМ РОЗРАХУНКУ МІЦНОСТІ ПЛИТ ПО ВИДІЛЕНИМ ПЛОСКИМ ЕЛЕМЕНТАМ.....	61
МОДЕЛЮВАННЯ СТІНОВИХ ЕЛЕМЕНТІВ ПРОСТОРОВОЇ РОЗРАХУНКОВОЇ СХЕМИ ЗА ДОПОМОГОЮ ПРЕПРОЦЕСОРА «САПФІР».....	64
УРАХУВАННЯ СХОДІВ У СКЛАДІ РОЗРАХУНКОВОЇ СХЕМИ ПРИ МОДЕЛЮВАННІ БУДІВЕЛЬ ТА СПОРУД У ПРЕПРОЦЕСОРІ «САПФІР».....	66
ТЕХНОЛОГІЯ ВИРОБНИЦТВА АЗБЕСТОЦЕМЕНТНИХ ВИРОБІВ... CARBON TOOL STEELS	69
(Вуглецеві інструментальні сталі).....	71
CLASSIFICATION AND MARKING USA STEELS (Класифікація та маркування сталей USA).....	73
ELECTROCONTACT WELDING (Електроконтактне зварювання).....	77
ELECTROSLAG WELDING (Електрошлакове зварювання).....	79
ARC WELDING IN SHIELDING GASES (Дугове зварювання в захисних газах).....	81
ULTRASONIC WELDING (Зварювання ультразвуком).....	83
ELECTRON-BEAM WELDING (Електронно-променеве зварювання).....	85



ELECTRIC ARC UNDERWATER WELDING (Дугове зварювання під водою).....	89
FRICITION WELDING (Зварювання тертям).....	90
INDUCTION WELDING (Індукційне зварювання).....	93
КОЛІСНІ ГАЛЬМА ТРАКТОРІВ ХТЗ-17221, НЕСПРАВНОСТІ ТА МЕТОДИ ЇХ УСУНЕННЯ.....	95
АНАЛІЗ ХАРАКТЕРНИХ ДЕФЕКТІВ РОЗПОДІЛЬЧИХ ВАЛІВ ДВИГУНІВ ВНУТРІШНЬОГО ЗГОРЯННЯ.....	98
ЗАХИСТ БЛОКУ ЦИЛІНДРІВ ДВИГУНІВ ВІД КАВІТАЦІЇ.....	99
АНАЛІЗ МЕТОДІВ ВІДНОВЛЕННЯ ГІЛЬЗ ЦИЛИНДРОВ ДВИГУНІВ ВНУТРІШНЬОГО ЗГОРЯННЯ.....	101
DIFFUSION WELDING (Дифузійне зварювання).....	104
LASER WELDING (Лазерне зварювання).....	107
ВАЖКІ БЕТОНИ.....	110
ЛЕГКІ БЕТОНИ.....	112
ЯЧЕЇСТІ (НІЗДРЮВАТІ) БЕТОНИ.....	115
ПІНОБЕТОНИ.....	117
ВИЗНАЧЕННЯ РІВНЯННЯ РУХУ РІЖУЧОГО ЗУБЦЯ КРУГЛОЇ ПИЛКИ КРЯЖУВАЛЬНОГО ВЕРСТАТУ МАЯТНИКОВОГО ТИПУ...	120
ДОСЛІДЖЕННЯ НАДІЙНОСТІ ДВИГУНІВ І ЇХ ЕЛЕМЕНТІВ ПРИ ЕКСПЛУАТАЦІЇ І РЕМОНТІ.....	123
ПОЛІМЕРЦЕМЕНТНІ БЕТОНИ.....	125
АЛЬТЕРНАТИВА НАФТИ, ЯК ДЖЕРЕЛА ВУГЛЕВОДНІВ ДЛЯ ВИКОРИСТАННЯ В ЯКОСТІ ПАЛИВА ДЛЯ ДВИГУНІВ ВНУТРІШНЬОГО ЗГОРЯННЯ.....	126
АРМОВАНІ БЕТОНИ.....	127
ФІБРОБЕТОНИ.....	129
БОРОПЛАСТИКИ.....	131
КЕРАМІЧНІ МАТЕРІАЛИ ТА ВИРОБИ.....	132
ДЕРЕВ'ЯНІ-ЦЕМЕНТНІ КОМПОЗИЦІЙНІ МАТЕРІАЛИ.....	135
ДЕРЕВ'ЯНІ КОМПОЗИЦІЙНІ МАТЕРІАЛИ.....	136

РАЦІОНАЛЬНЕ ВИРІШЕННЯ ТЕХНОЛОГІЧНИХ ЗАДАЧ ГІРСЬКОЇ ЛІСОЗАГОТІВЛІ.....	139
СКЛОПЛАСТИКИ.....	142
ДОСЛІДЖЕННЯ ПРОЦЕСУ ВИГОТОВЛЕННЯ БІМЕТАЛЕВИХ ВИЛИВКІВ.....	145
ВУГЛЕПЛАСТИКИ.....	148
ПРИСТРІЙ ДЛЯ ВИВЧЕННЯ ТРИЩИНОСТІЙКОСТІ ЛИВАРНИХ СТАЛЕЙ ПРИ ЗАТВЕРДІННІ.....	150
ВЛАСТИВОСТІ БІМЕТАЛЕВИХ ВИЛИВКІВ.....	153
КОНСТРУЮВАННЯ ПЕРЕТИНАНЬ, ПРИМИКАНЬ І РОЗГАЛУЖЕНЬ ЛІСОВИХ ДОРІГ З УРАХУВАННЯМ ТЕХНІКО-ТЕХНОЛОГІЧНИХ АСПЕКТІВ І ВИМОГ БЕЗПЕКИ РУХУ.....	155
ОБГРУНТУВАННЯ КОМБІНОВАНОГО ТЕХНОЛОГІЧНОГО ПРОЦЕСУ ДІЛЬНИЦІ КОМПЛЕКСНОГО ОБРОБЛЯННЯ СОРТИМЕНТНОГО ДОВГОМІРУ.....	158
БЕЗПЕРЕРВНЕ ФОРМУВАННЯ ЗАЛІЗОБЕТОНИХ ВИРОБІВ.....	161
АНАЛІЗ ШЛЯХІВ ПОКРАЩЕННЯ ЯКОСТІ ВИКОРИСТАННЯ БУЛЬДОЗЕРІВ.....	162
ДОСЛІДЖЕННЯ ПОШКОДЖЕНЬ ТА ВІДНОВЛЕННЯ ДЕТАЛЕЙ КОРОБКИ ПЕРЕДАЧ ТРАКТОРІВ ХТЗ-181.....	164
SYSTEM OF STABILIZATION OF THE SPEED OF PIPE DEVICES.....	167
СТРУКТУРА БІМЕТАЛЕВИХ ВИЛИВКІВ.....	169
МОДЕЛЮВАННЯ ЛИВАРНИХ ВЛАСТИВОСТЕЙ СТАЛЕЙ.....	171
МАШИНИ ДЛЯ ЗБАГАЧЕННЯ ГІРСЬКОЇ ПОРОДИ.....	173
ІНТЕНСИФІКАЦІЯ БЕТОННОЇ СУМІШІ ПРИ ФОРМУВАННІ ЗАЛІЗОБЕТОННИХ ВИРОБІВ.....	174
ОСОБЛИВОСТІ ОБКАТКИ ДВИГУНІВ ВНУТРІШНЬОГО ЗГОРЯННЯ ПІСЛЯ РЕМОНТУ.....	176

НАУКОВЕ ВИДАННЯ

**ЗБІРНИК ТЕЗ ДОПОВІДЕЙ  
74-Ї ВСЕУКРАЇНСЬКОЇ НАУКОВО-ПРАКТИЧНОЇ  
СТУДЕНТСЬКОЇ КОНФЕРЕНЦІЇ «НАУКОВІ ЗДОБУТКИ  
СТУДЕНТІВ У ДОСЛІДЖЕННЯХ ТЕХНІЧНИХ ТА  
БІОЕНЕРГЕТИЧНИХ СИСТЕМ  
ПРИРОДОКОРИСТУВАННЯ: КОНСТРУЮВАННЯ ТА  
ДИЗАЙН»**

**(26-27 березня 2020 року)**

*Відповідальний за випуск:*

*Ю.О. Ромасевич* – професор кафедри конструювання машин і обладнання НУБіП України.

*Верстка* – кафедра конструювання машин і обладнання НУБіП України.

*Адреса редколегії* – 03041, Україна, м. Київ, вул. Героїв Оборони, 12<sup>В</sup>, НУБіП України.

Матеріали тез друкуються у авторській редакції.

Тираж виготовлено з оригінал-макету замовника.

Підписано до друку 17.03.2019. Формат 60x84 1/16.

Ум. друк. арк. 11,44.

© НУБіП України, 2020